

XAS 97 DD(G) S3A –

XAS 185 DD7 T3

Spare parts list

Portable Compressor

s/n APP267539 - s/n APP345107

Engine: D2011L03



General information

This spare parts list applies to the following:

Part number	Description
8162 0573 79	XAS 97 DD(G) S3A
8162 0573 87	XAS 185 DD7 T3

Use only authorized parts. Any damage or malfunction caused by the use of unauthorized parts is not covered by Warranty or Product Liability. Any unauthorized use or copying of the contents or any part thereof is prohibited. This applies in particular to trademarks, model denominations, part numbers, and drawings.

Instructions for use

This spare parts list contains no safety regulations and is merely intended to assist in the ordering of spare parts.

For information about operating, servicing, or repairing, the relevant Safety and operating instructions must be consulted at all costs.

Please observe the safety instructions listed in the relevant Safety and operating instructions!

Kits / Consumables XAS 97 DD(G) S3A - XAS 185 DD7 T3	1
--	---

Service

SERVICE PAK XAS 97 DD(G) S3A	3
Compressor Oil	5
Engine Oil	7
Coolant	9
Kits Multi-Pack	11
2911005100_01 Service kit - Unloading valve	13
2911006700_00 Service kit - Brake shoe	15
2911006800_03 Service kit - Oil separator	17
2911014100_00 Service kit - Element mounting	19
2911014200_00 Service kit - Road axle bearing	21

Mechanical

1615766785_01 Unloading valve assembly	23
1611834114_00 Country set	25
1611834314_05 COUNTRY SET	27
1611740029_04 AIR INLET	29
1611737214_10 Air outlet	31
1604402290_01 Vessel assembly EC	33
1604402292_01 Vessel ASME / EC	35
1604575092_01 Vessel EC	37
1604574984_01 Vessel ASME / EC	39
1611722012_22 REGULATING SYSTEM	41
1611728214_17 Oil system	44
1604672282_00 HOOD ASSEMBLY PE 3 CYL	47
1626660580_01 HOOD	49
1604672381_00 BAFFLE ASSEMBLY	51
1604407886_01 BAFFLE ASSEMBLY	53
1604406685_00 REAR BAFFLE ASSEMBLY	55
1611743414_16 BODYWORK	57
1611743214_30 BODYWORK & MOUNTS	59
1611766414_01 NO SIDE PROTECTIONS	61
1604545682_00 PANEL ASSEMBLY	63
1604545782_00 PANEL ASSEMBLY	65
1611710214_00 Element and mounts	67
1611701214_19 FRAME AND MOUNTS	69
1611801314_10 FRAME NOT SPILLAGE FREE	71
1604545989_00 FRAME	73
1611752614_20 MARKINGS XAS97	75
1611754014_10 MARKINGS XAS97	77
1611754914_04 MARKINGS CFM FOR STEEL CANOPY XAS185 DD7	79
1611755014_04 MARKINGS CFM FOR HARDHAT	81
1611807914_05 NO PARTICLE FILTER	83
1611837114_05 NO AFTERCOOLER OR LUBRICATOR OR NO REHEATER	85
1611849414_12 No cold start EC	87
1611849514_12 NO COLD START ASME	89
1615767683_01 Actuator assembly	91

Engine

1611707714_24 ENGINE AND ACCESSORIES XAS 97DD (G)	93
1611708614_03 No epa engine	95
1611719029_08 Coupling - Between engine and gearcasing	97
1611808914_00 NO ISOLATED EXHAUST	99
1611725314_16 COOLER AND FAN XAS97DD	101
1611704214_14 Fuel system	103
1604396481_00 Fueltank assembly	105
1611808214_07 NO PARTICLE FILTER 3 CYLINDER PE	107

Electrical

1611749214_11 ELECTRICAL SYSTEM	109
1626168280_02 Control panel assembly	111
1626180280_02 Control panel assembly	113
1611746114_10 SAFETY AND CONTROL	115
1611746314_07 SAFETY AND CONTROL	117
1611872514_01 NO GENERATOR	119
1611876514_07 NO GENERATOR	121

Options

1611775114_15 UNDERCARRIAGE FIXED WITHOUT BRAKES	123
1611775514_18 UNDERCARRIAGEFIXED WITH BRAKES	125
1611775714_16 UNDERCARRIAGE ADJUSTABLE WITH BRAKES	127
1604380300_02 Axel with brakes	129
1604380706_01 Front towbar with brakes	131
2914237100_01 Front towbar with brakes	133
1604380409_01 Towbar fixed without brakes	135
1604380613_01 Towbar fixed with brakes	137
1604580102_00 Particle filterwith catalyst	139
1604626282_00 BUMPER ASSEMBLY	141
1626271881_01 OUTLET SOCKETS 6.5 KVA	143
1626271981_01 OUTLET SOCKETS 6KVA 55/110V	145
1626251781_01 OUTLET SOCKETS 12 KVA, 230/400V	147
1626677180_01 VESSEL MOM	149
1626677100_00 VESSEL MOM	151
1611772214_00 Safety chain USA	153
1611770712_01 Towing eyes - Nato eye - With brakes	155
1611770412_05 Towing eyes - ITA eye	157
1611770612_02 GB eye	159
1611771312_03 Ball coupling - No brakes	161
1611770212_01 DIN eye	163
1611770312_03 Ball coupling - Brakes	165
1611770112_01 AC eye	167
1611772212_02 Safety chain CE	169
1611772112_01 Jockey wheel	171
1611772012_09 Support leg	173
1611763314_02 Bna eye	175
1611801014_03 Tool box	177
1611801114_05 TWIN TOOLBOX	179
1611807114_02 SPARK ARRESTOR	181
1611866414_16 AFTERCOOLER-WS-PD-QD-LUB-XAS67/97	183
1611866214_16 AFTERCOOLER-WS-PD-LUB-XAS67/97	187
1611865914_16 AFTERCOOLER-WS-LUB-XAS67/97	191
1611865614_12 AFTERCOOLER-WS-PD-QD-XAS67/97	194
1611865414_12 AFTERCOOLER-WS-PD-XAS67/97	198
1611865314_12 AFTERCOOLER-WS-XAS67/97	202
1611864214_21 ROADSIGNALISATION	206
1611864714_06 Semi Road Signalisation PE	209
1611864414_02 Simplified bumper	211
1611864114_16 Semi roadsignalsation	213
1611863814_08 ROADSIGNALISATION	215
1611779114_05 COSMOS MK II	217
1611778114_04 COSMOS MK II	219
1611777800_00 COSMOS MK II NO SATELLITE	221
1611777400_00 COSMOS MK II	223
1611777700_00 ANTENNA-COSMOS MK II SATELLITE	225
1611807814_04 PARTICLE FILTER	227
1611866514_04 BYPASS AFTERCOOLER	229
1611865114_10 LUBRICATOR	231

1611867514_05 REHEATER	233
1611867715_05 ANTI FROST DEVICE	235
1611869012_01 Wheelchocks	237
1611869014_00 Wheelchocks	239
1611870818_04 Ball coupling	241
1611877214_27 COLD START XAS 97 DD	243
1604380200_01 Axel without brakes	245
1611704414_01 ADDITIONAL FUELFILTER SERIES7	247
1611808814_00 TOOL BOX DDG	249
1611837714_00 Brackets for aftercooler with hardhat	251
1611838214_00 Restrictor - For compressor with lubricator	253
1611840029_00 SAFETY CARTRIDGE	255
1611844014_04 Anti theft	257
1611845114_00 Engine oil cold start	259
1611845214_00 ENGINE OIL PART. FILTER	261
1611849814_02 VESSEL SERIE7 MOM/AS1210	263
1611864914_02 SUPPORT-FOR SUPPORT MOUNTED COMPRESSOR	265
1611866714_03 LUBRICATOR	267
1611863714_04 No Road Signalisation	269
1611864314_03 No roadsignalisation	271
1611878414_02 EPA ENGINE	273
1611802014_01 Metal fillerneck - for fuel tank	275
1611808614_03 CHALWYN VALVE	277
1611837029_03 Non return valve	279
1611837514_00 NON RETURN VALVE - FOR COMPRESSOR WITH LUBRICATOR	281
1611837314_01 NO RETURN VALVE FOR COMPRESSOR WITH AFTER COOLER OR LUBRICATOR	283
1611837214_04 MINIMUM PRESSURE VALVE FOR COMPRESSOR WITHOUT AFTERCCOLER OR LUBRICATOR	285
1604587300_00 Pipe	287
1611838314_00 PIPE - FOR COMPRESSOR WITH BYPASS AFTERCOOLER	289
1626124581_01 BAFFLE ASSEMBLY	291
1611808714_01 BODYWORK SIDE PROTECTION	293
1604835240_02 SIDE PANEL S7 C CYL PF (RIGHT)	295
1611776614_03 Mudguard sttel canopy	297
1611838414_02 AF STEEL CANOPY	299
1604545882_01 PANEL ASSEMBLY	301
1604545282_00 PANEL ASSEMBLY	303
1604541788_00 FRAME	305
1611801514_10 FRAME SPILLAGE FREE	307
1611861114_03 HOSE REEL XAS97	309
1611873114_01 Earth pin	311
1604143001_01 Hose reel	313
1611874714_20 GENERATOR KIT	315
1611874814_20 GENERATOR KIT	318
1611874914_20 GENERATOR KIT	322
1611875814_18 GENERATOR KIT	326
1611875914_19 GENERATOR KIT	330
1611876014_20 GENERATOR KIT	334
1611876114_18 GENERATOR KIT	338
1611876214_19 GENERATOR KIT	342
1611879114_01 GENERATOR KIT	346
1611879314_01 GENERATOR KIT	350
1611879514_01 GENERATOR KIT	354
1604399599_01 GENERATOR 6KVA 230/400V	358
1604399595_00 GENERATOR 6KVA 100V	361
1604399788_01 Generator 12 KVA 230/400 V	363
1604399598_01 GENERATOR 6KVA 230/400V	365
1604399597_01 GENERATOR 6KVA 230V	367
1604399596_01 GENERATOR 6KVA 110 V	369
1604399787_01 GENERATOR 12 KVA 230 / 400 V	371
1604399786_02 GENERATOR 12 KVA 230 V	373

1626251700_01 GENERATOR 12 KVA, 230/400V	375
1626271800_01 GENERATOR 6.5 KVA	377
1626271900_01 GENERATOR 6KVA 55/110V	379
1626251780_02 GENERATOR 12 KVA, 230/400V	381
1626271880_02 GENERATOR 6.5 KVA	383
1626271980_01 GENERATOR 6KVA 55/110V	385
1611749514_00 BATTERY CABLE	387
1611864514_02 Adapter - for road light system	389

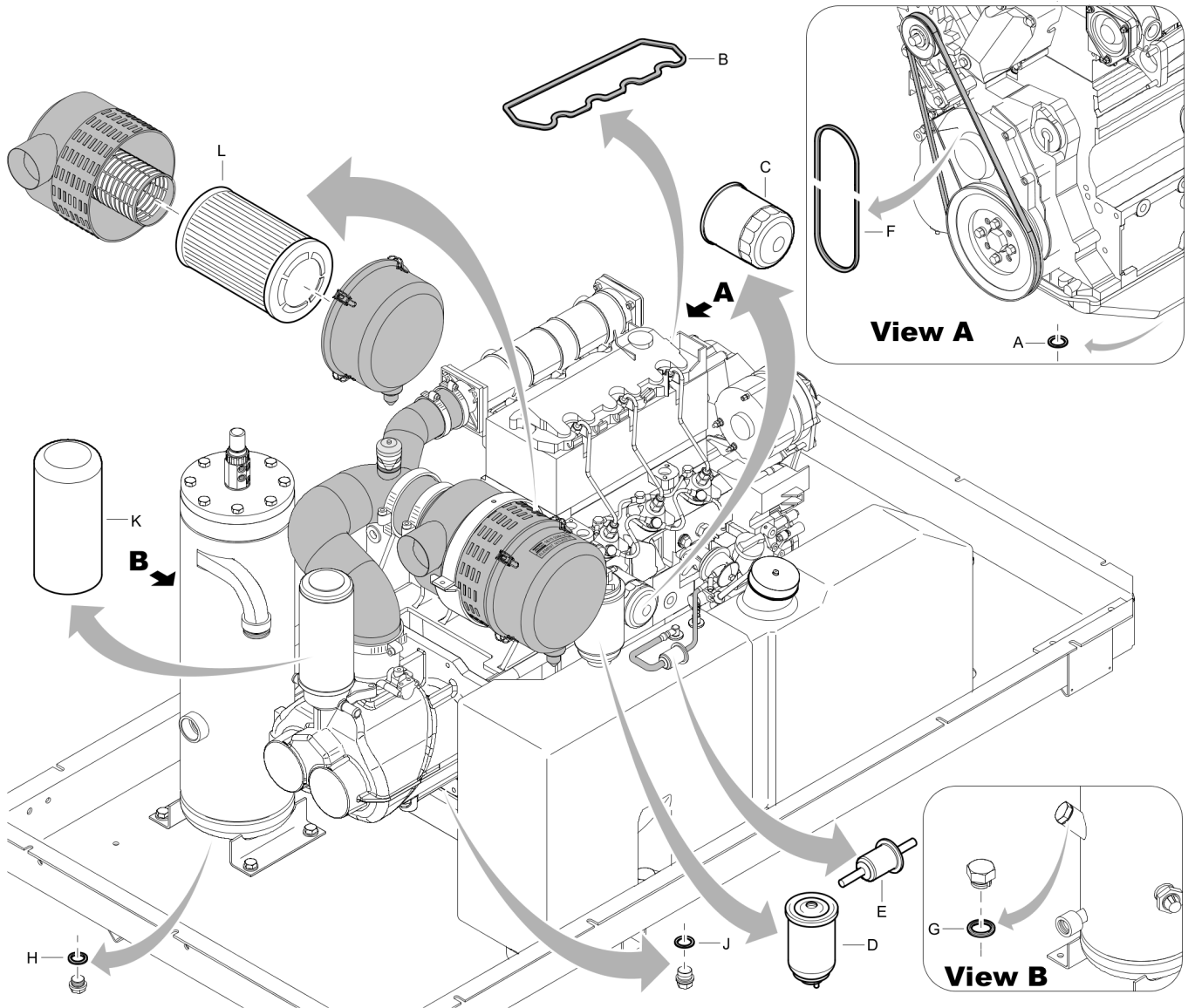
Kits / Consumables XAS 97 DD(G) S3A - XAS 185 DD7 T3

Kits / Consumables XAS 97 DD(G) S3A - XAS 185 DD7 T3	Item Number	Description	Change Interval / Quantity				When Needed
			250 Hr	500 Hr	750 Hr	1000 Hr	
Maintenance Kit	1	Yearly/500 Hr Service kit	1	1	1	1	
	2	Oil Seperator Kit		1		1	
Compressor Oil Capacity 8 L Needs to change every 500 hr or yearly If your compressor running between -25°C to +50°C, use Paroil S.	3	Can Paroil M 5 L	No	8 L	No	8 L	
	4	Can Paroil M 20 L					
	5	Can Paroil M 210 L					
	6	Can Paroil S 5 L					
	7	Can Paroil S 20 L					
8	Can Paroil S 210 L						
Engine Oil Change every 250 hr or 6 months Low Emissions Engines	9	Can Paroil E 5 L	8,5 L	8,5 L	8,5 L	8,5 L	
	10	Can Paroil E 20 L					
	11	Can Paroil E 210 L					
	12	Can Paroil Extra 5 L					
13	Can Paroil Extra 20 L						
14	Can Paroil Extra 210 L						
Compressor Filter Kit Covers all necessary parts for your compressor side.	15	Compressor Filter Kit					1
Service and Repair Kits	16	Service Kit - Unloading Valve					1
	17	Brake Shoes Kit					1
	18	Service Kit-Element Mounting					1
	19	Service Kit - Road Axel					1

Item	Part No.	Name	Qty	L
1	2912439306	Service pak 500 yearly	1	
2	2911006800	Service kit - Oil separator	1	
3	1615594700	Can Paroil M 5 Liter/1.32 Gallon	2	
4	1615594800	Can Paroil M 20 Liter/5.3 Gallon	1	
5	1615594900	Barrel Paroil M 210 Liter/55.5 Gallon	1	
6	1630016000	Can Paroil S 5 Liter/1.32 Gallon	2	
7	1630016100	Can Paroil S 20 Liter/5.3 Gallon	1	
8	1630016200	Barrel Paroil S 210 Liter/55.5 Gallon	1	
9	1615595300	Can Paroil E 5 Liter/1.32 Gallon	2	
10	1615595400	Can Paroil E 20 Liter/5.3 Gallon	1	
11	1615595500	Can Paroil E 210 Liter/55.5 Gallon	1	
12	1630013501	Can Paroil E Extra 5 Liter/1.32 Gallon	2	
13	1630013601	Can Paroil E Extra 20 Liter/5.3 Gallon	1	
14	1626010200	Can Paroil E Extra 210 Liter/55.5 Gallon	1	
15	2912490106	Compressore filter kit	1	
16	2911005100	Service kit - Unloading valve	1	
17	2911006700	Service kit - Brake shoe	1	
18	2911014100	Service kit - Element mounting	1	
19	2911014200	Service kit - Road axle bearing	1	

Refer to the Parts Online web page for most up-to-date information. The printed information might be outdated.

Service SERVICE PAK XAS 97 DD(G) S3A

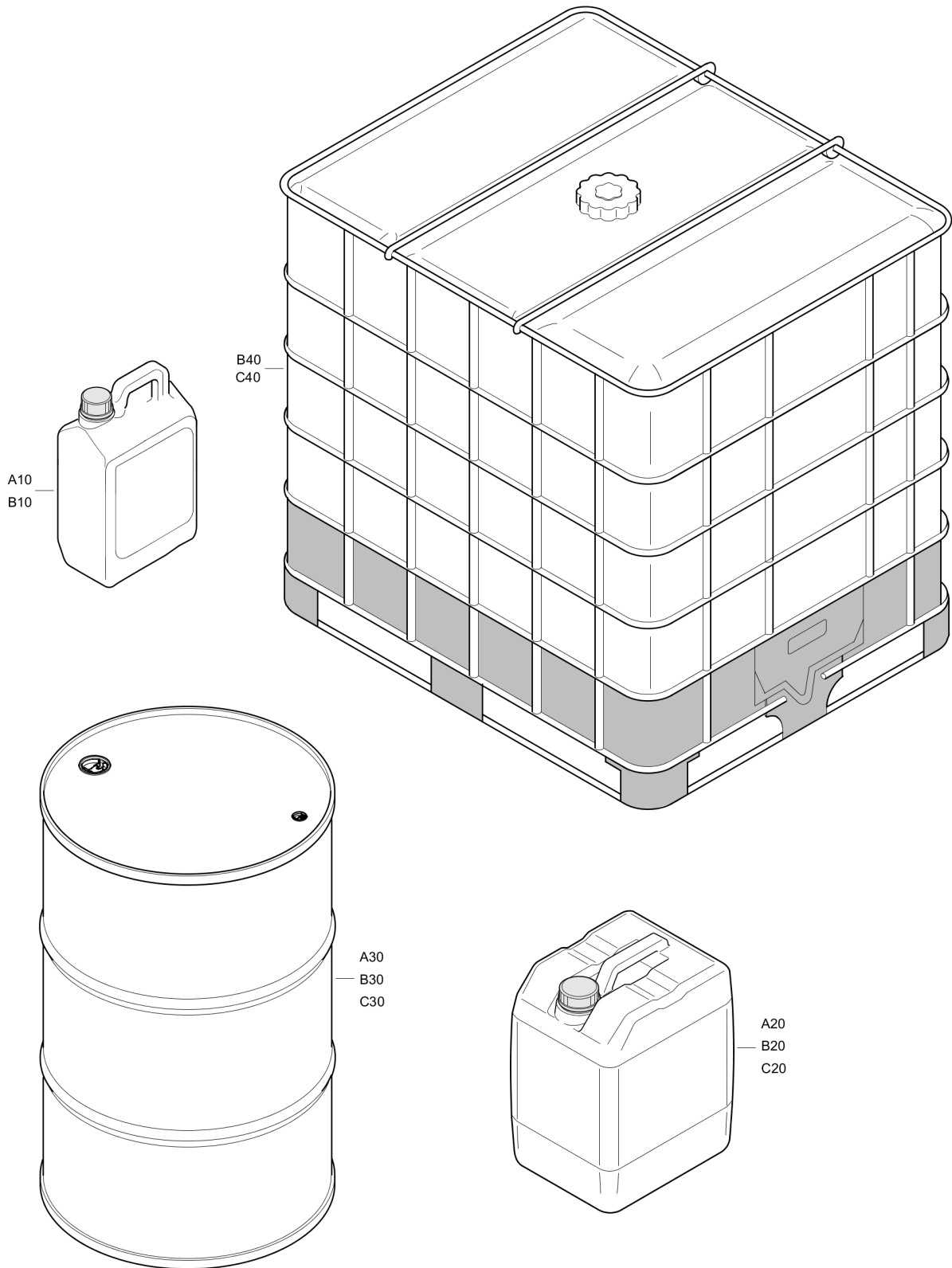


Refer to the Parts Online web page for most up-to-date information. The printed information might be outdated.

Item	Part No.	Name	Qty	L
-	2912439306	Service pak 500 yearly		
A	-	Seal washer	1	
B	-	Rocker cover	1	
C	-	Oil filter element	1	
D	-	FILTER ELEMENT	1	
E	-	Air filter	1	
F	-	V-BELT	1	
G	-	Sealing washer	1	
H	-	Sealing washer	1	
J	-	Seal washer	1	
K	-	FILTER ELEMENT	1	
L	-	Air filter	1	

Refer to the Parts Online web page for most up-to-date information. The printed information might be outdated.

Service Compressor Oil

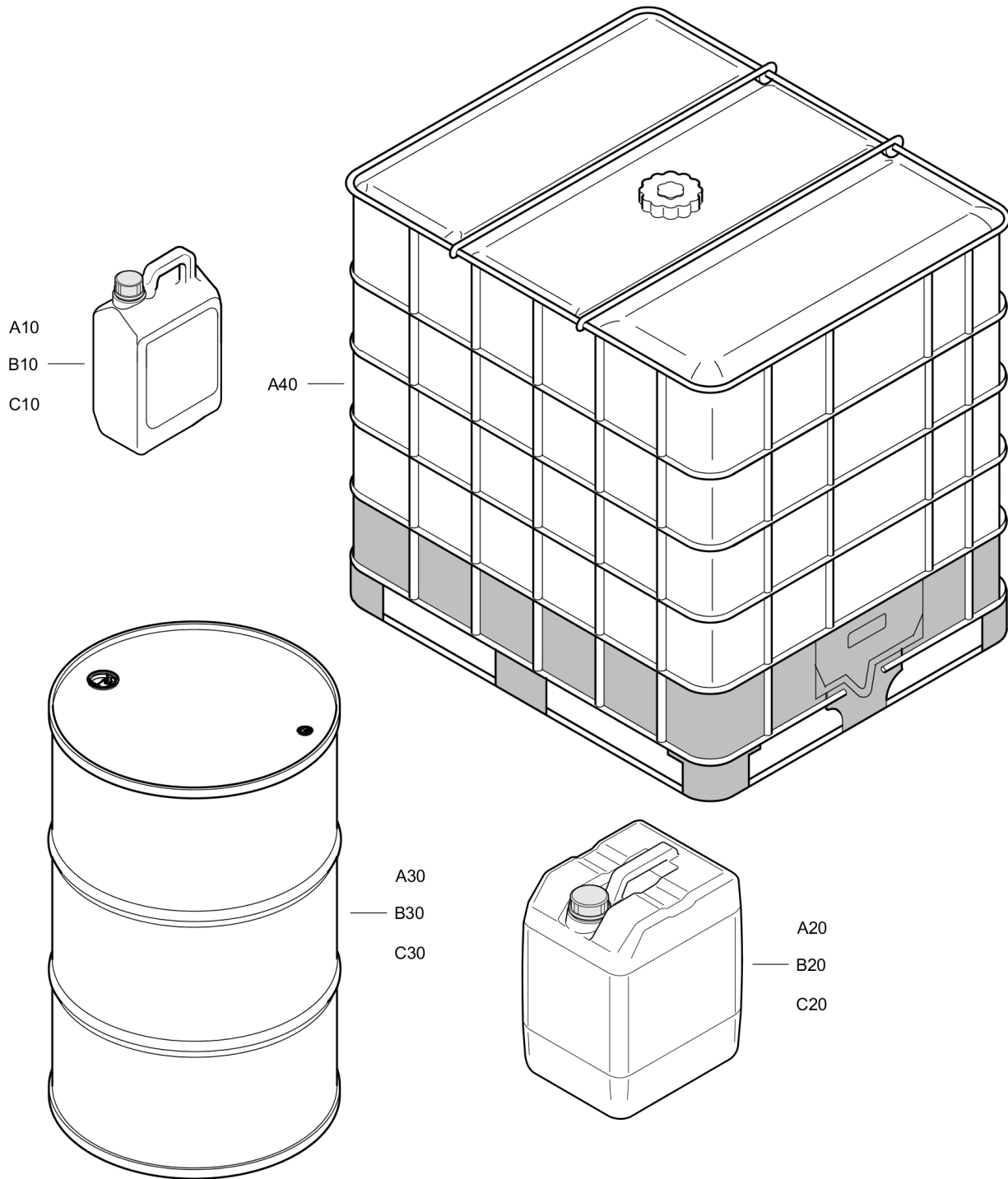


Refer to the Parts Online web page for most up-to-date information. The printed information might be outdated.

Item	Part No.	Name	Qty	L
Not Shown	-	Paroil M Xtreme	AR	
A10	1615595800	Can Paroil M Xtreme 5 Liter/1.32 Gallon	1	
A20	1615595900	Can Paroil M Xtreme 20 Liter/5.3 Gallon	1	
A30	1615596000	Barrel Paroil M Xtreme 210 Liter/55.5 Gallon	1	
Not Shown	-	Paroil S	AR	
B10	1630016000	Can Paroil S 5 Liter/1.32 Gallon	1	
B20	1630016100	Can Paroil S 20 Liter/5.3 Gallon	1	
B30	1630016200	Barrel Paroil S 210 Liter/55.5 Gallon	1	
B40	1630016300	Container Paroil S 1000 Liter/264.1 Gallon	1	
Not Shown	-	Paroil S Xtreme - for high temperature	AR	
C20	1630018000	Can Paroil S Xtreme 20 Liter/5.3 Gallon	1	
C30	1630018100	Barrel Paroil S Xtreme 210 Liter/55.5 Gallon	1	
C40	1630018200	Container Paroil S Xtreme 1000 Liter/264.1 Gallon	1	

Refer to the Parts Online web page for most up-to-date information. The printed information might be outdated.

Service Engine Oil

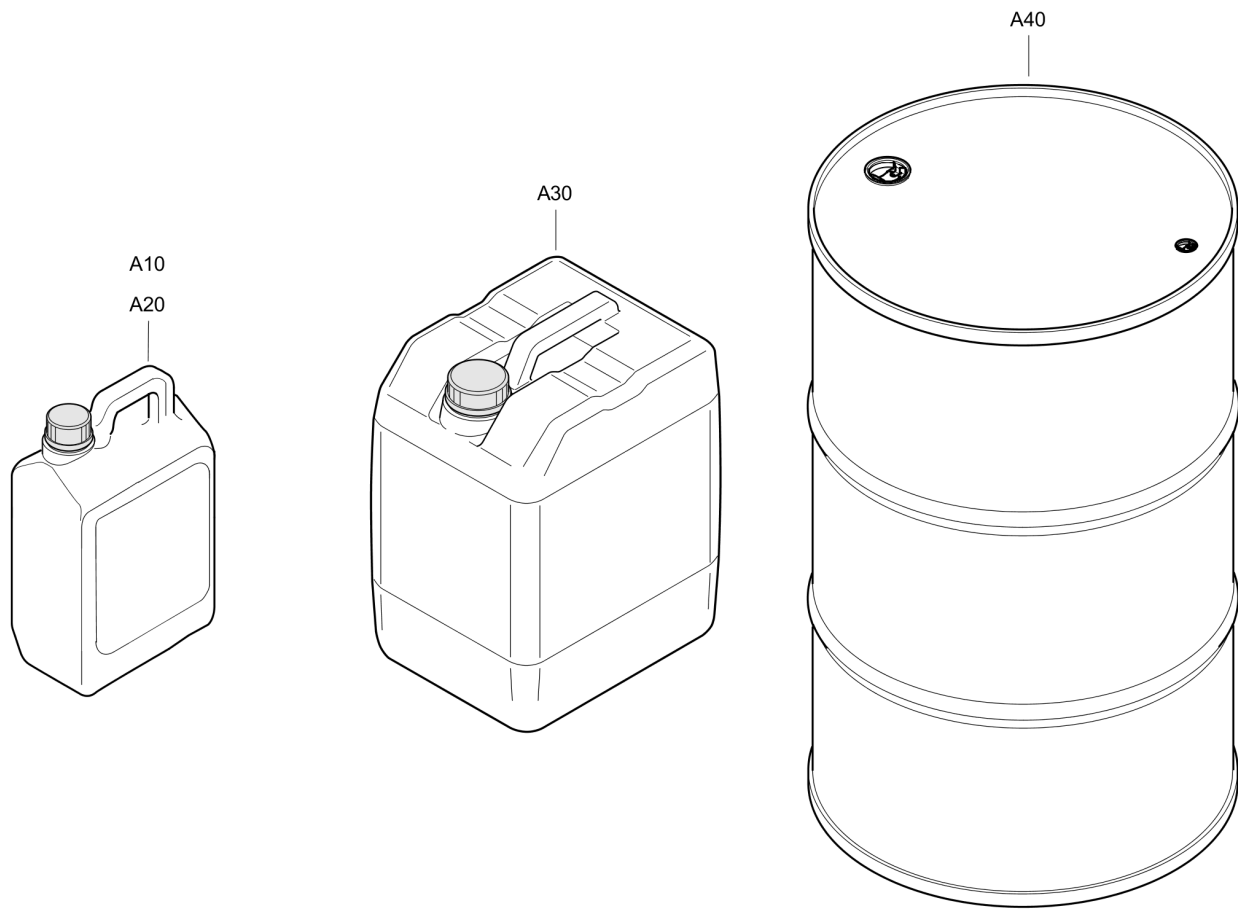


Refer to the Parts Online web page for most up-to-date information. The printed information might be outdated.

Item	Part No.	Name	Qty	L
Not Shown	-	Paroil E	AR	
A10	1615595300	Can Paroil E 5 Liter/1.32 Gallon	1	
A20	1615595400	Can Paroil E 20 Liter/5.3 Gallon	1	
A30	1615595500	Can Paroil E 210 Liter/55.5 Gallon	1	
A40	1630009600	Container Paroil E 1000 Liter/264.1 Gallon	1	
Not Shown	-	Paroil E Xtra	AR	
B10	1630013501	Can Paroil E Extra 5 Liter/1.32 Gallon	1	
B20	1630013601	Can Paroil E Extra 20 Liter/5.3 Gallon	1	
B30	1626010200	Can Paroil E Extra 210 Liter/55.5 Gallon	1	
Not Shown	-	Paroil E Mission Green - for stage 3B/Tier 4 engines	AR	
C10	1630047100	Can Paroil E Mission Green 5 Liter/1.32 Gallon	1	
C20	1630047200	Can Paroil E Mission Green 20 Liter/5.3 Gallon	1	
C30	1630047300	Can Paroil E Mission Green 210 Liter/55.5 Gallon	1	

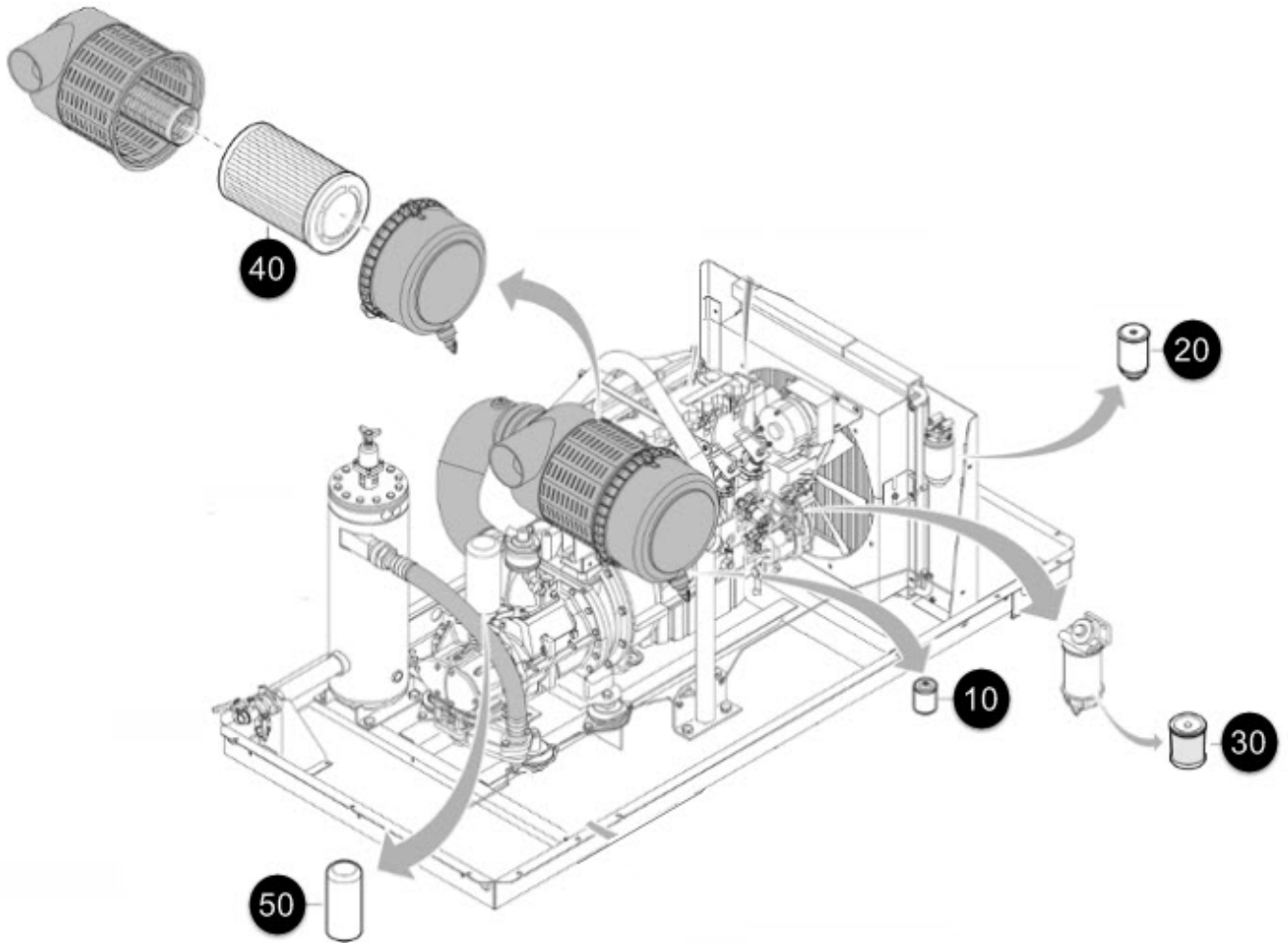
Refer to the Parts Online web page for most up-to-date information. The printed information might be outdated.

Service Coolant



Item	Part No.	Name	Qty	L
Not Shown	-	Parcool EG	-	
A10	1604815901	Can Parcool EG concentrate 5 Liter/1.32 Gallon	1	
A20	1604530801	Can Parcool EG 5 Liter/1.32 Gallon	1	
A30	1604530702	Can Parcool EG 20 Liter/5.3 Gallon	1	
A40	1604530601	Can Parcool EG 210 Liter/55.5 Gallon	1	

Service Kits Multi-Pack

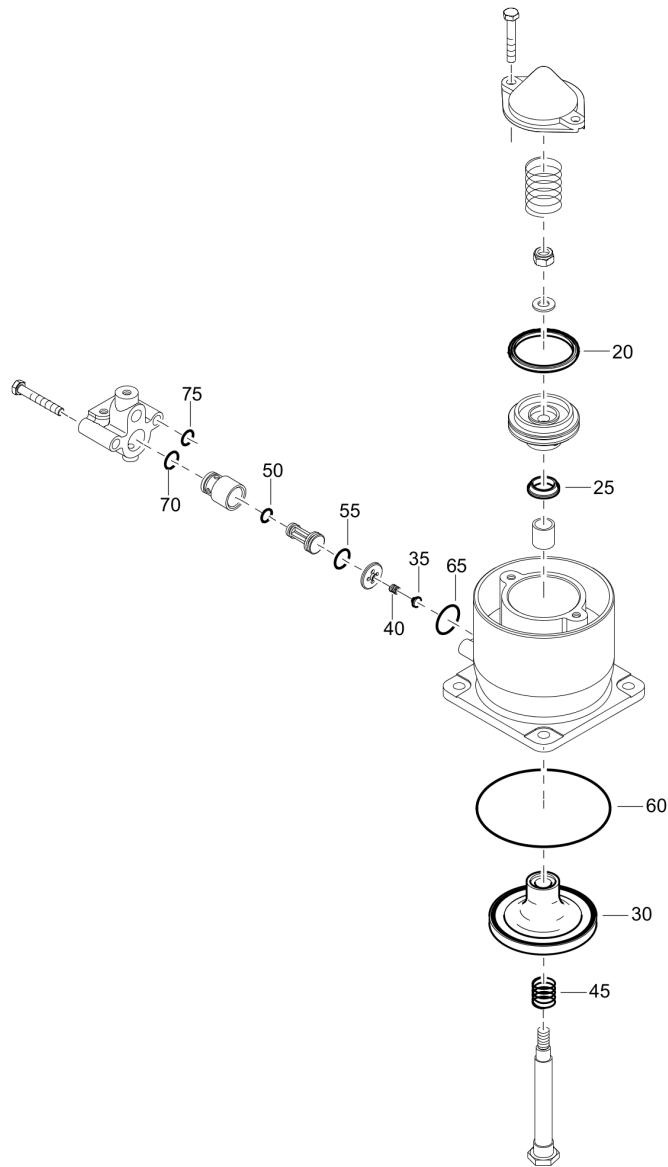


Refer to the Parts Online web page for most up-to-date information. The printed information might be outdated.

Item	Part No.	Name	Qty	L
A	-	Kits Multi-Pack 10 Unit.		
10	1636310545	Oil Filter (X10) Multi-Pack	10	
-	2914805800	Oil filter	1	
20	1636310546	Fuel Filter (X10) Multi-Pack	10	
-	2900068700	Fuel filter	1	
30	1636310507	Fuel Pre-Filter (X10) Multi-Pack	10	
-	2914809200	Fuel filter	1	
40	1636310508	Air Filter (X10) Multi-Pack	10	
-	2914502900	Air filter element	1	
50	1636310509	Oil Filter Compressor (X10) Multi-Pack	10	
-	1613610590	Oil filter elemnet	1	
B	-	Kits Multi-Pack 24 Unit.		
10	1636310550	Oil Filter (X24) Multi-Pack	24	
-	2914805800	Oil filter	1	
20	1636310551	Fuel Filter (X24) Multi-Pack	24	
-	2900068700	Fuel filter	1	
30	1636310512	Fuel Pre-Filter (X24) Multi-Pack	24	
-	2914809200	Fuel filter	1	
40	1636310513	Air Filter (X24) Multi-Pack	24	
-	2914502900	Air filter element	1	
50	1636310514	Oil Filter Compressor (X24) Multi-Pack	24	
-	1613610590	Oil filter elemnet	1	

Refer to the Parts Online web page for most up-to-date information. The printed information might be outdated.

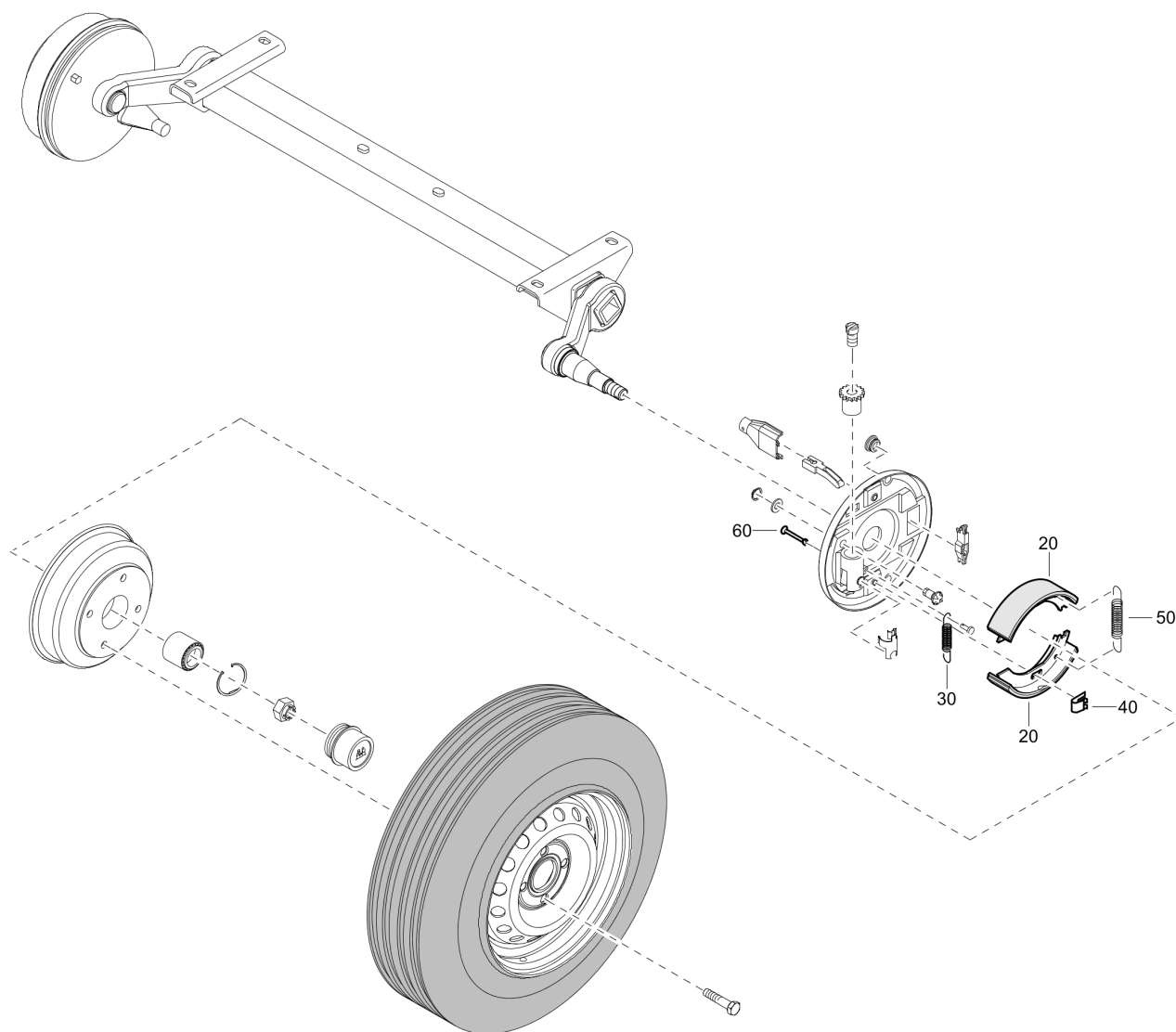
Service 2911005100_01 Service kit - Unloading valve



Refer to the Parts Online web page for most up-to-date information. The printed information might be outdated.

Item	Part No.	Name	Qty	L
-	2911005100	Service kit - Unloading valve	-	
20	-	Piston seal	1	
25	-	Wiper	1	
30	-	Valve	1	
35	-	Valve	1	
40	-	Spring	1	
45	-	Spring	1	
50	-	O-ring	1	
55	-	O-ring	1	
60	-	O-ring	1	
65	-	O-ring	1	
70	-	O-ring	1	
75	-	O-ring	1	

Service 2911006700_00 Service kit - Brake shoe

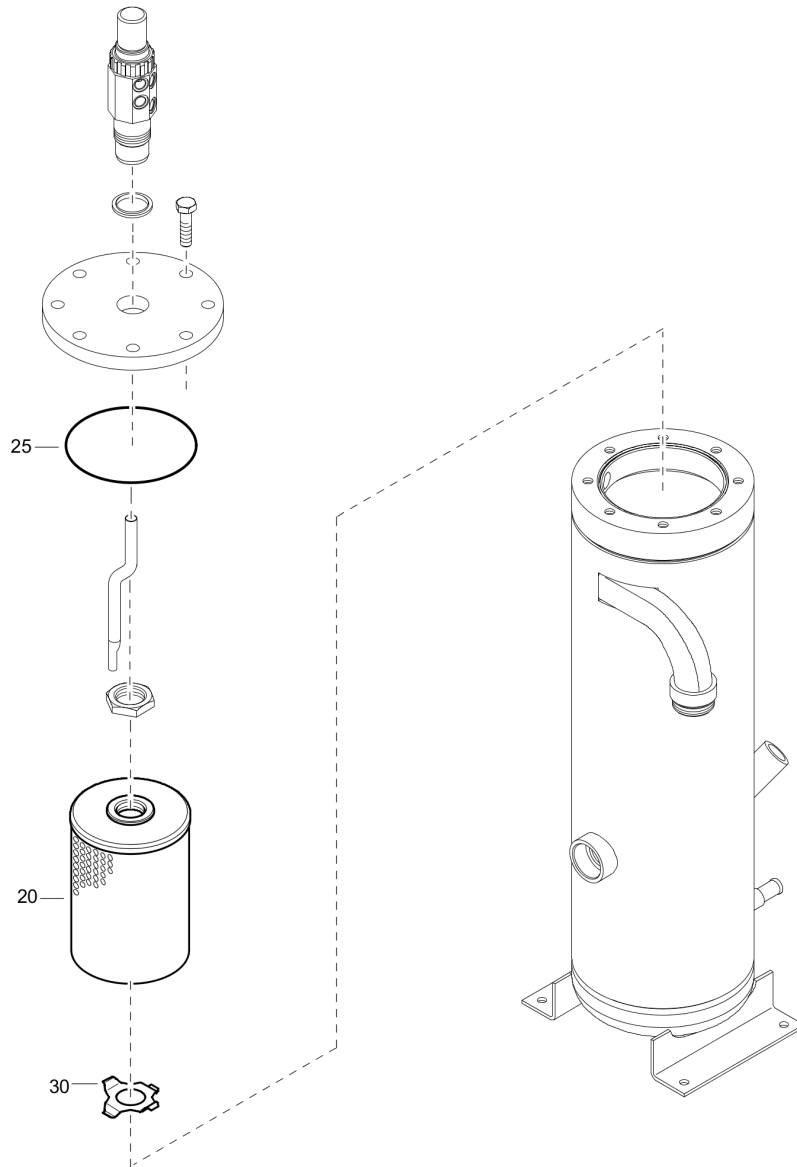


Refer to the Parts Online web page for most up-to-date information. The printed information might be outdated.

Item	Part No.	Name	Qty	L
-	2911006700	Service kit - Brake shoe	-	
20	-	Brake shoe	4	
30	-	Spring	2	
40	-	Spring	4	
50	-	Spring	2	
60	-	Pin	4	

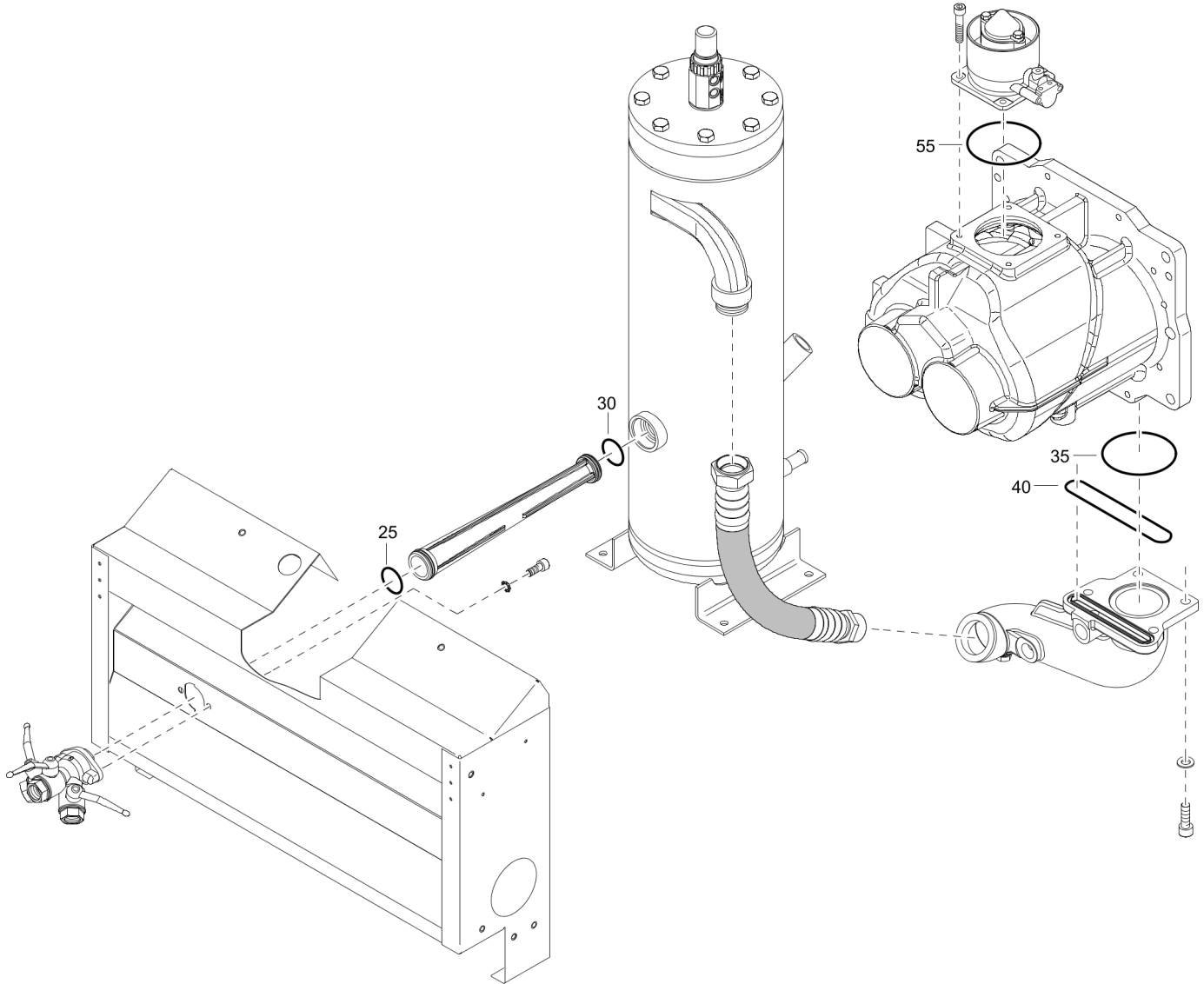
Refer to the Parts Online web page for most up-to-date information. The printed information might be outdated.

Service 2911006800_03 Service kit - Oil separator



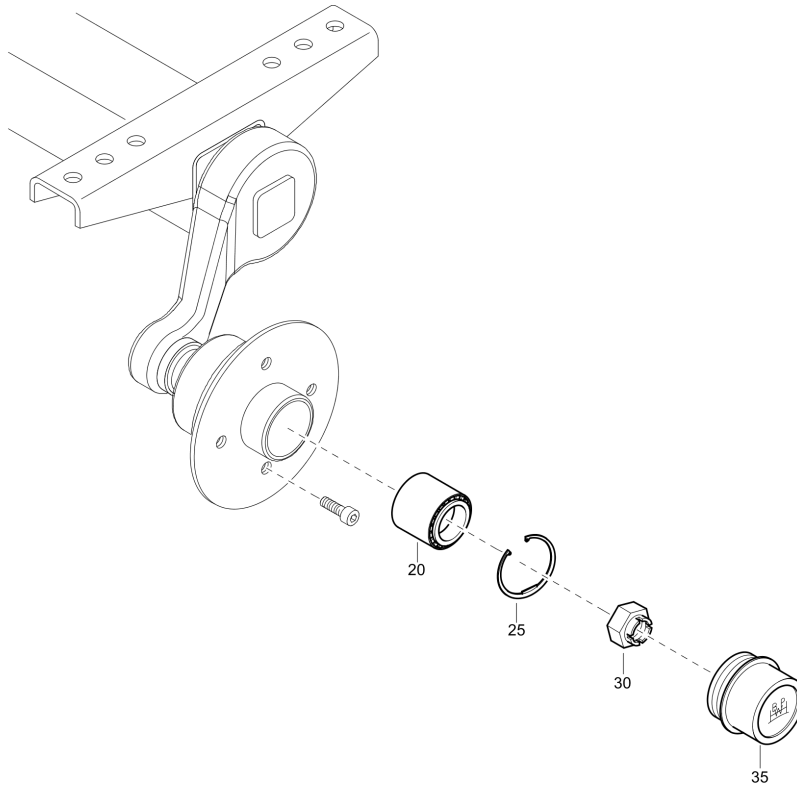
Item	Part No.	Name	Qty	L
-	2911006800	Service kit - Oil separator	-	
20	-	Oil.separator assembly	1	
25	-	O-ring	1	
30	-	Retainer	2	

Service 2911014100_00 Service kit - Element mounting



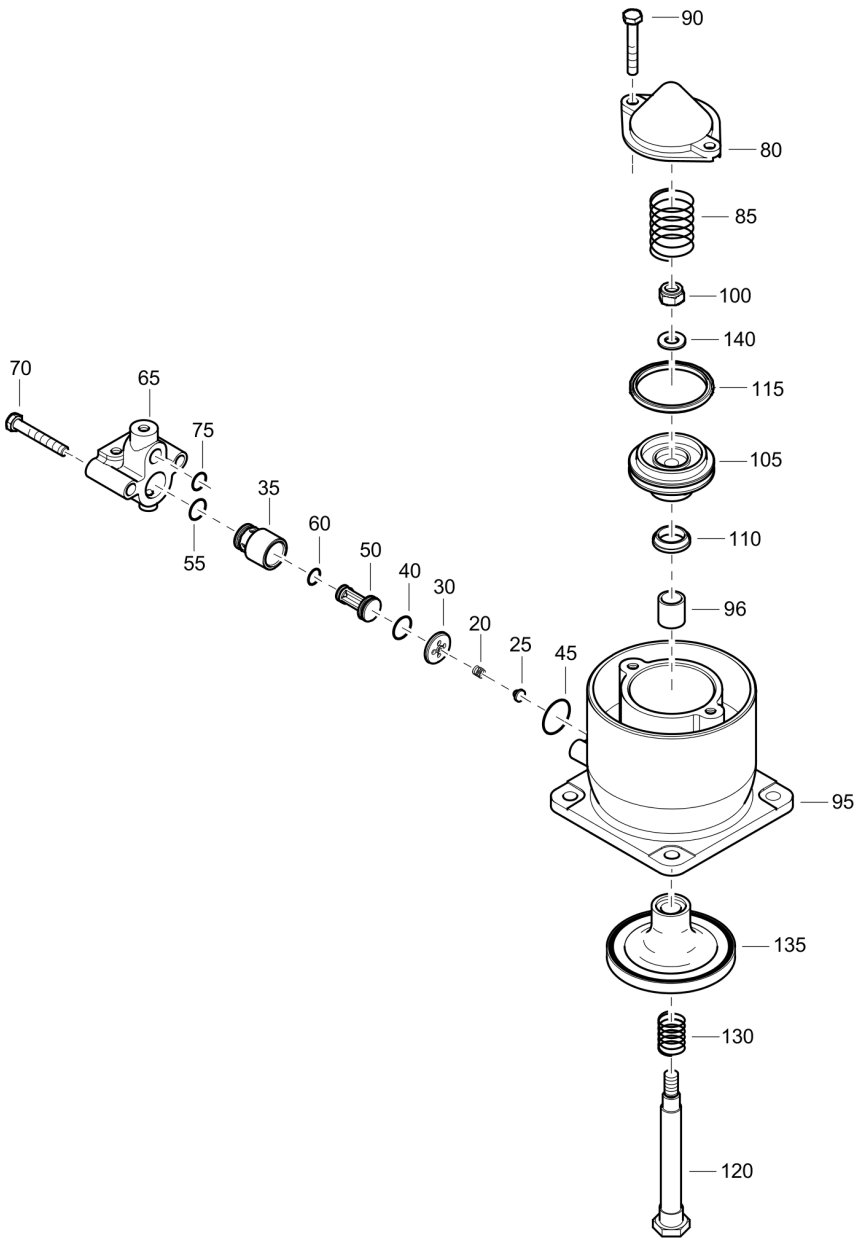
Item	Part No.	Name	Qty	L
-	2911014100	Service kit - Element mounting	-	
25	-	O-ring	1	
30	-	O-ring	1	
35	-	O-ring	1	
40	-	O-ring	1	
55	-	O-ring	1	

Service 2911014200_00 Service kit - Road axle bearing



Item	Part No.	Name	Qty	L
-	2911014200	Service kit - Road axle bearing	-	
20	-	Bearing	2	
25	-	Circlips	2	
30	-	Nut	2	
35	-	Cap	2	

Mechanical 1615766785_01 Unloading valve assembly



Refer to the Parts Online web page for most up-to-date information. The printed information might be outdated.

Item	Part No.	Name	Qty	L
20	1626032700	Spring	1	
25	1604038900	Valve	1	
30	1615834600	Retainer	1	
35	1615834501	Bushing	1	
40	0663711900	O-ring	1	
45	0663712600	O-ring	1	
50	1615767300	Valve	1	
55	0663712000	O-ring	1	
60	0663611400	O-ring	1	
65	1615834401	Housing	1	
70	0147125212	Hexagon head screw	2	
75	0663611800	O-ring	1	
80	1615766701	Cover unloading valve	1	
85	1615767201	Spring	1	
90	0147125112	Screw	2	
95	1615766802	Valve housing	1	
96	0500451021	Plain bearing	1	
100	0291111000	Locknut	1	
105	1615875500	Piston	1	
110	0665911000	Wiper	1	
115	0665099954	Piston seal	1	
120	1615875700	Piston rod	1	
130	1604038801	Spring	1	
135	1615767000	Valve	1	
140	0301233500	Washer DIN125	1	

Refer to the Parts Online web page for most up-to-date information. The printed information might be outdated.

Mechanical 1611834114_00 Country set

CALIFORNIA Proposition 65 Warning
 Diesel engine exhaust and some of its constituents are known to the State of California to cause cancer, birth defects, and other reproductive harm.

50

Tampering with noise control system prohibited
 Federal law prohibits the following acts or the causing thereof:

Among those acts included in the prohibition against tampering are the acts listed below:

(1) the removal or rendering inoperative by any persons other than for purposes of maintenance, repair or replacement of any device or element of design incorporated into any new compressor for the purpose of noise control prior to its sale or delivery to the ultimate purchaser or while it is in use	1. Removal or rendering inoperative any of the following: a. engine exhaust muffler, b. cooling air exhaust and intake silencers, c. acoustic baffles,	2. Removal of any of the following: a. sound absorptive material, including sealing strips on doors, panels and other canopy parts, b. fan shroud.
(2) the use of the compressor after such device or element of design has been removed or rendered inoperative by any person.	3. Operation of the compressor with any of the enclosure doors open.	

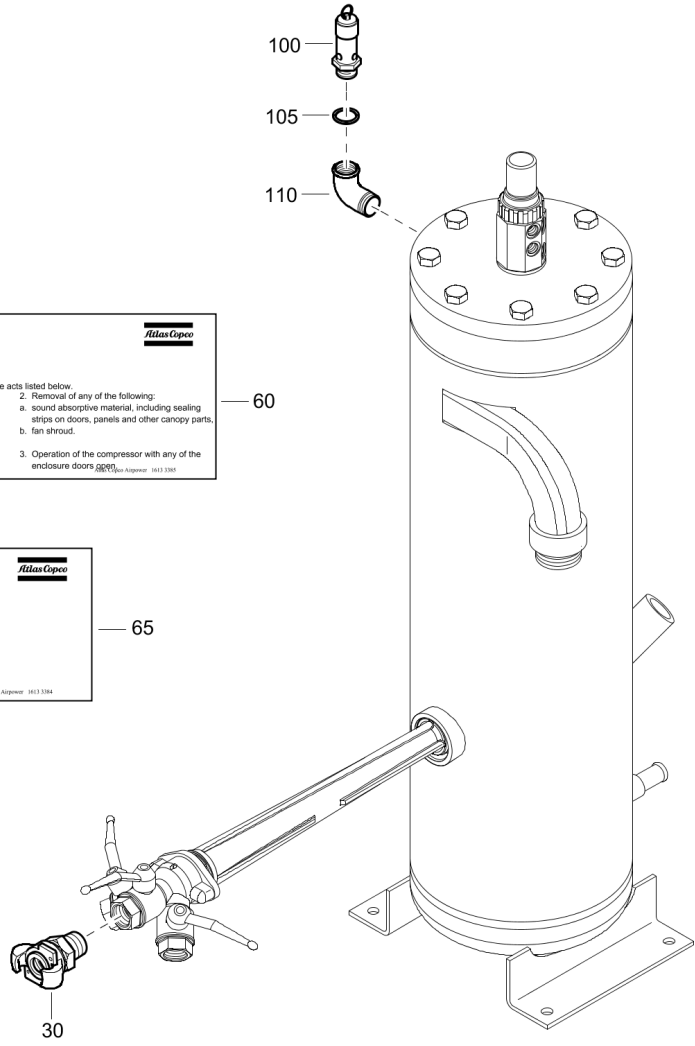
60

Compressor noise emission control information
 This compressor conforms to U.S. E.P.A. regulations for noise emissions applicable to portable air compressors

The following acts or the causing thereof by any person are prohibited by the Noise Control Act of 1972:

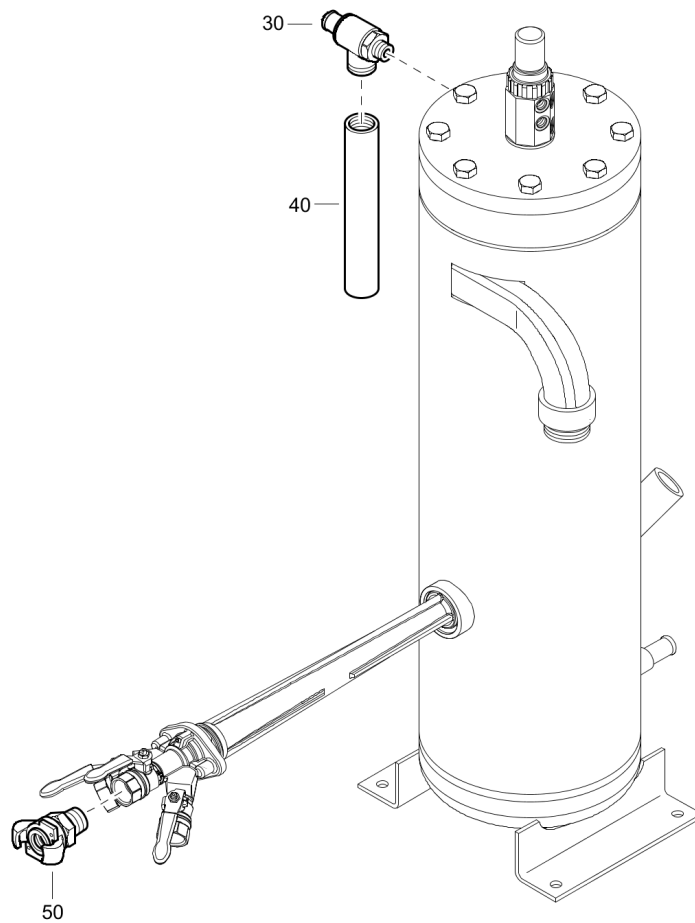
(A) The removal or rendering inoperative, other than for the purpose of maintenance, repair, or replacement, of any noise control device or element of design (listed in the owner's manual) incorporated into this compressor in compliance with the Noise Control Act.	(B) The use of this compressor after such device or element of design has been removed or rendered inoperative.
--	---

65



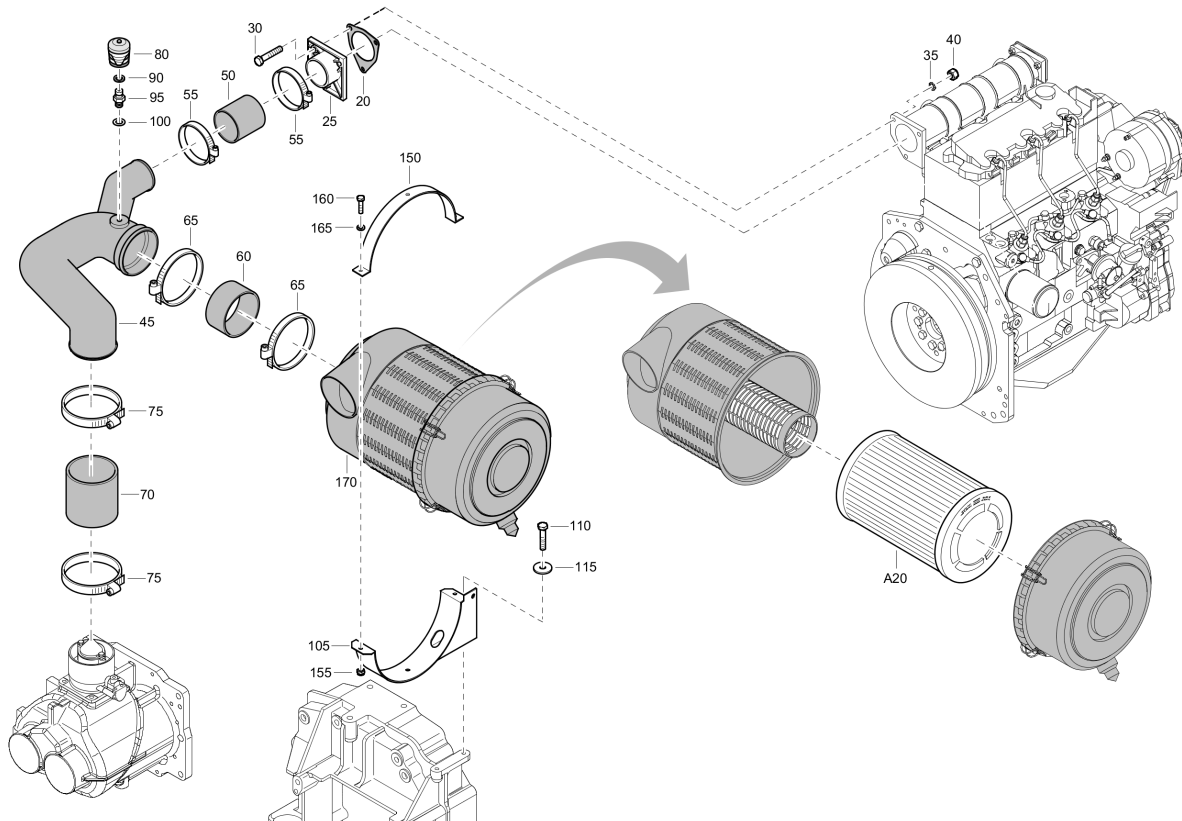
Item	Part No.	Name	Qty	L
30	1310136500	Coupling claw	3	
50	1079990247	Label	1	
60	1613338500	Label	1	
65	1613338400	Label	2	
100	0830100518	Safety valve	1	
105	0653112400	Flat gasket	1	
110	0560020023	Elbow	1	

Mechanical 1611834314_05 COUNTRY SET



Item	Part No.	Name	Qty	L
30	0832100116	Safety valve	1	
40	1604605800	Pipe	1	
50	9000030200	Pipe coupling	3	

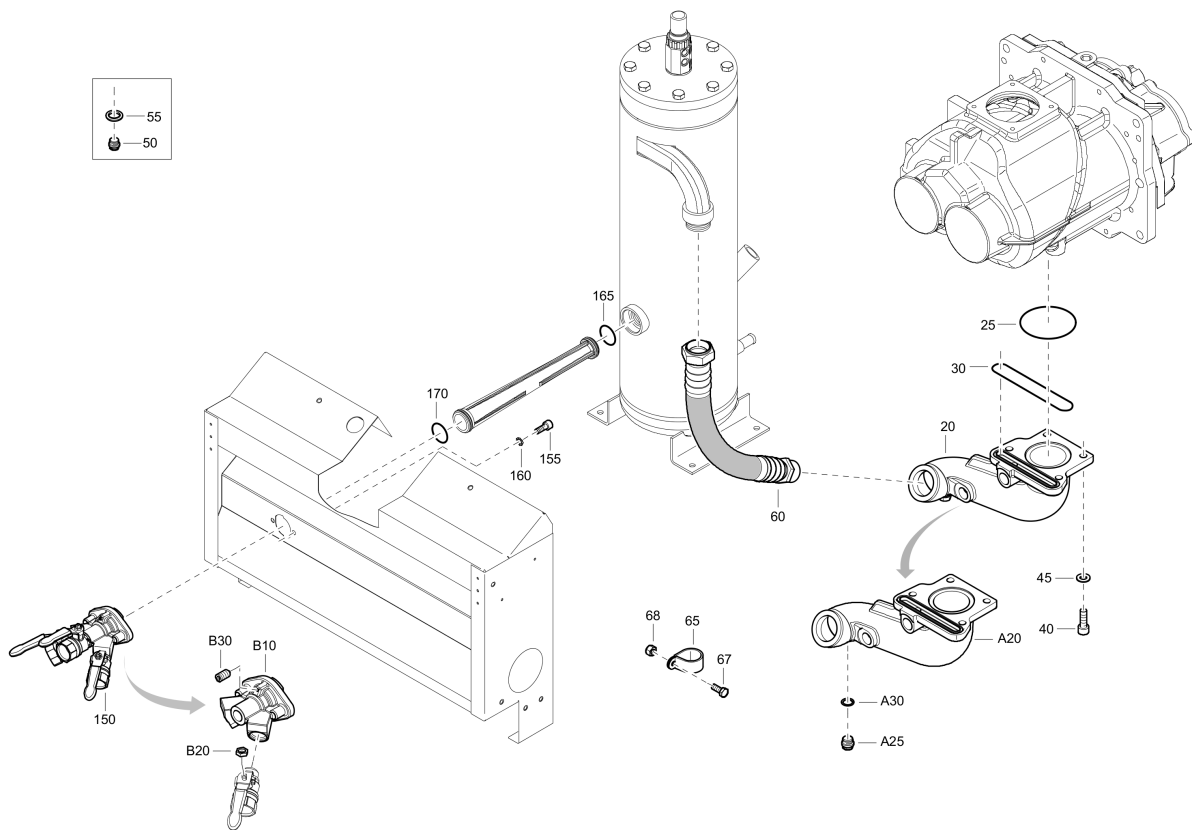
Mechanical 1611740029_04 AIR INLET



Refer to the Parts Online web page for most up-to-date information. The printed information might be outdated.

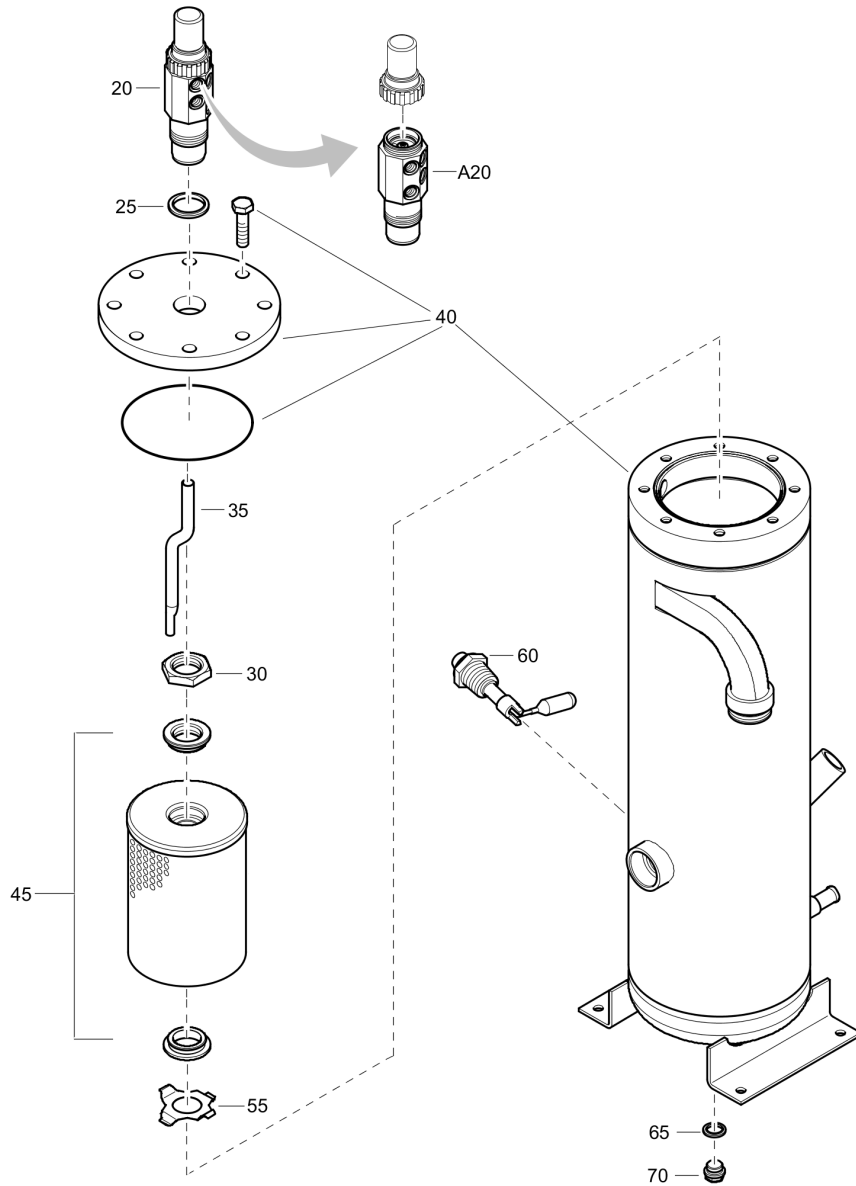
Item	Part No.	Name	Qty	L
20	1202991000	Gasket	1	
25	1613548101	Adaptor	1	
30	0147132803	Hexagon head screw	3	
35	0333322700	Lock washer	3	
40	0266211000	Nut DIN934	3	
45	1615939600	Air duct	1	
50	1615770400	Hose	1	
55	0347610004	Clamp	2	
60	1615943800	Hose	1	
65	0347611500	Clamp	2	
70	1615770600	Hose	1	
75	0347611500	Clamp	2	
80	1613791201	Indicator	1	
90	0661101400	Sealing washer	1	
95	1612215200	Nipple hexagon	1	
100	0653104600	Flat gasket	1	
105	1615944100	Bracket	1	
110	0147132303	Screw DIN933	2	
115	0301233500	Washer DIN125	2	
150	1615943900	Clamp	1	
155	0291110800	Locknut	2	
160	0147124903	Hex. head screw	2	
165	0301232100	Washer DIN9021	2	
170	1615938801	Airfilter	1	
A20	1613800400	Air filter element	1	

Mechanical 1611737214_10 Air outlet



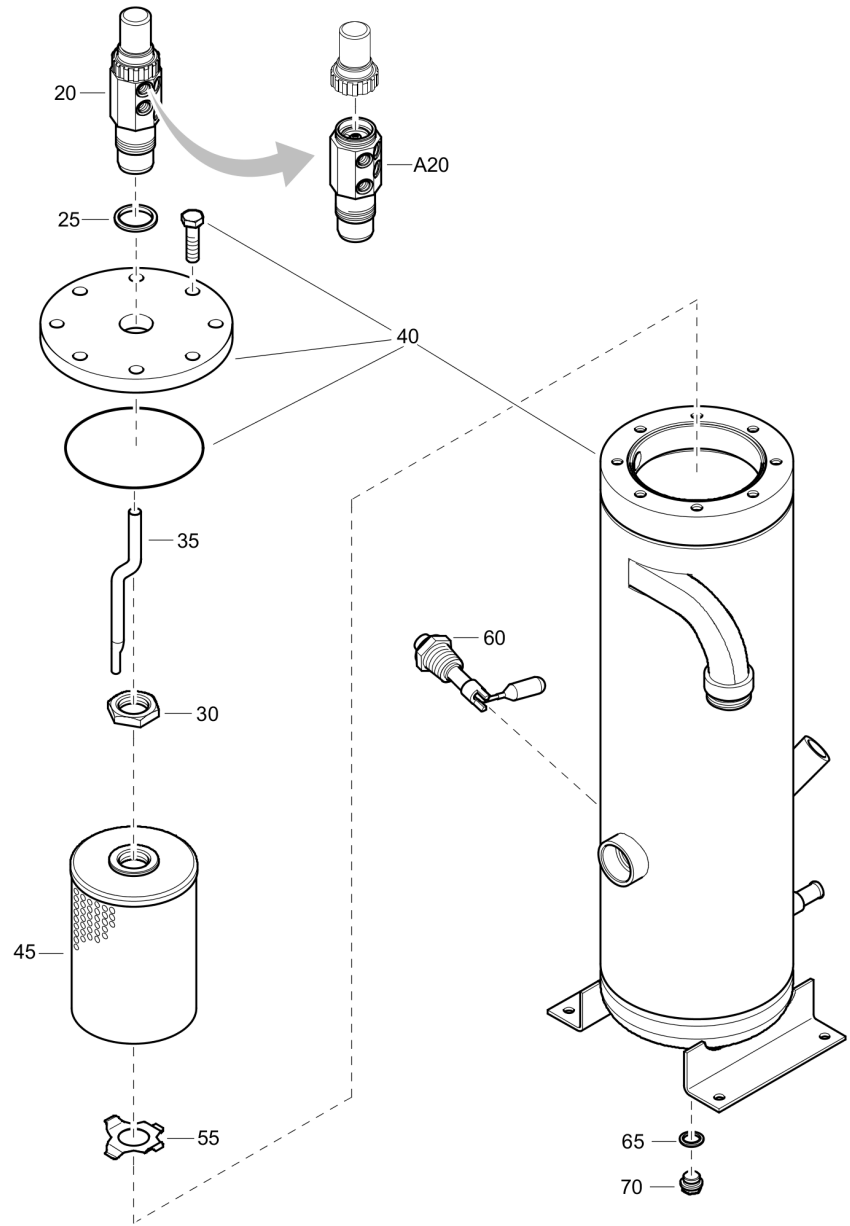
Item	Part No.	Name	Qty	L
20	1604577781	Manifold assembly	1	
A20	1604577703	Manifold	1	
A25	0686423018	Hexagon plug	1	
A30	0653111500	Flat gasket	1	
25	0663713700	O-ring	1	
30	0663714100	O-ring	1	
40	0211136300	Screw	4	
45	0301234400	Washer DIN125	4	
50	0686371601	Plug	1	
55	0661102000	Sealing washer	1	
60	1604577800	Hose assembly	1	
65	0346100007	Pipe clamp	1	
67	0147132203	Screw DIN 933	1	
68	0266211000	Nut DIN934	1	
150	1615947481	Ball valve assembly	1	
B10	1626857301	3 Way valve housing	1	
B20	0261210800	Hexagon nut	3	
B30	0194116900	Set screw	1	
155	0211132300	Hex sock. screw	2	
160	0333322700	Lock washer	2	
165	0663313100	O-ring	1	
170	0663313000	O-ring	1	

Mechanical 1604402290_01 Vessel assembly EC



Item	Part No.	Name	Qty	L
20	1615766480	Regulating valve assembly	1	
A20	1615766500	Housing	1	
25	0661104900	Sealing washer	1	
30	0623210603	Backnut	1	
35	1615943700	Tube	1	
40	1604575092	Vessel ec	1	
45	1615943680	Oil separator assembly	1	
55	1615769702	Retainer	1	
60	1616510800	Level gauge	1	
65	0661102600	Seal washer	1	
70	0686420300	Plug	1	

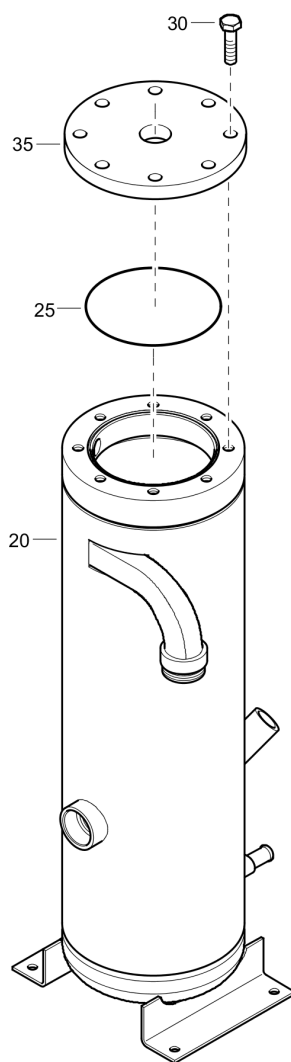
Mechanical 1604402292_01 Vessel ASME / EC



Refer to the Parts Online web page for most up-to-date information. The printed information might be outdated.

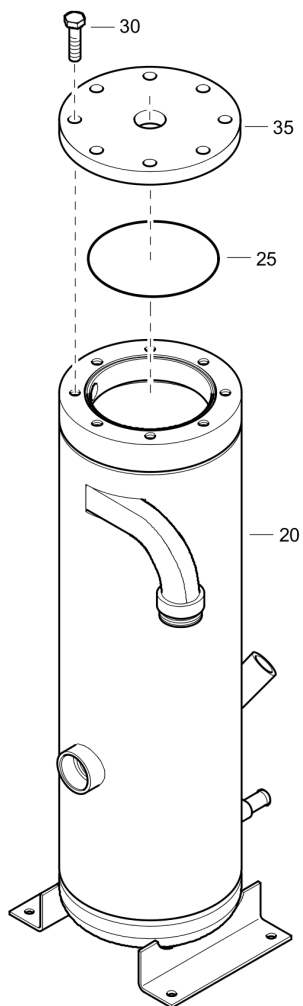
Item	Part No.	Name	Qty	L
20	1615766480	Regulating valve assembly	1	
A20	1615766500	Housing	1	
25	0661104900	Sealing washer	1	
30	0623210603	Backnut	1	
35	1615943700	Tube	1	
40	1604574984	Vessel	1	
45	1615943680	Oil separator assembly	1	
55	1615769702	Retainer	1	
60	1616510800	Level gauge	1	
65	0661102600	Seal washer	1	
70	0686420300	Plug	1	

Mechanical 1604575092_01 Vessel EC



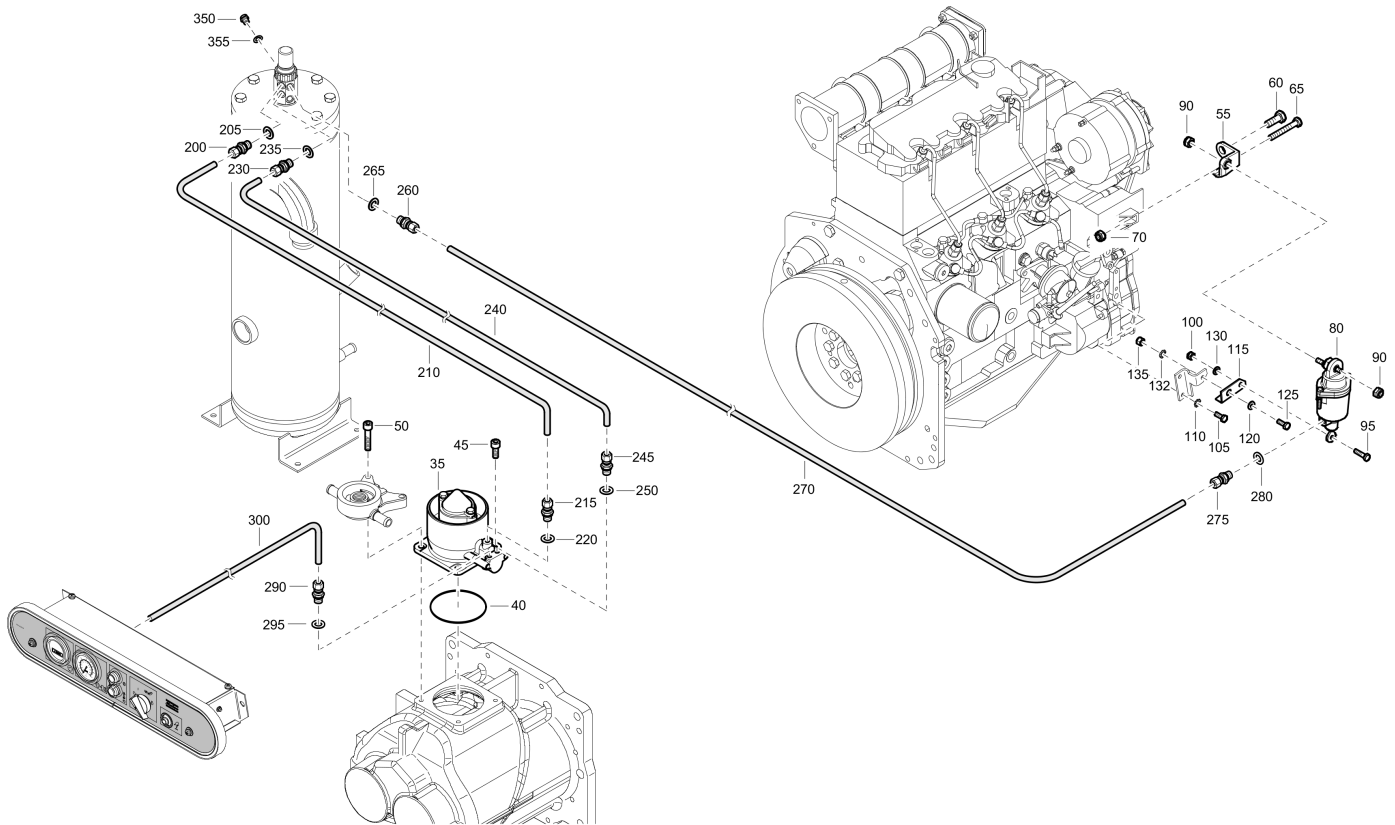
Item	Part No.	Name	Qty	L
20	1604575031	VESSEL	1	
25	0663715100	O-ring	1	
30	0147140303	Hex. head screw	8	
35	1615769300	Cover	1	

Mechanical 1604574984_01 Vessel ASME / EC



Item	Part No.	Name	Qty	L
20	1604574931	VESSEL ASME/EC	1	
25	0663715100	O-ring	1	
30	0147140303	Hex. head screw	8	
35	1615769300	Cover	1	

Mechanical 1611722012_22 REGULATING SYSTEM



Refer to the Parts Online web page for most up-to-date information. The printed information might be outdated.

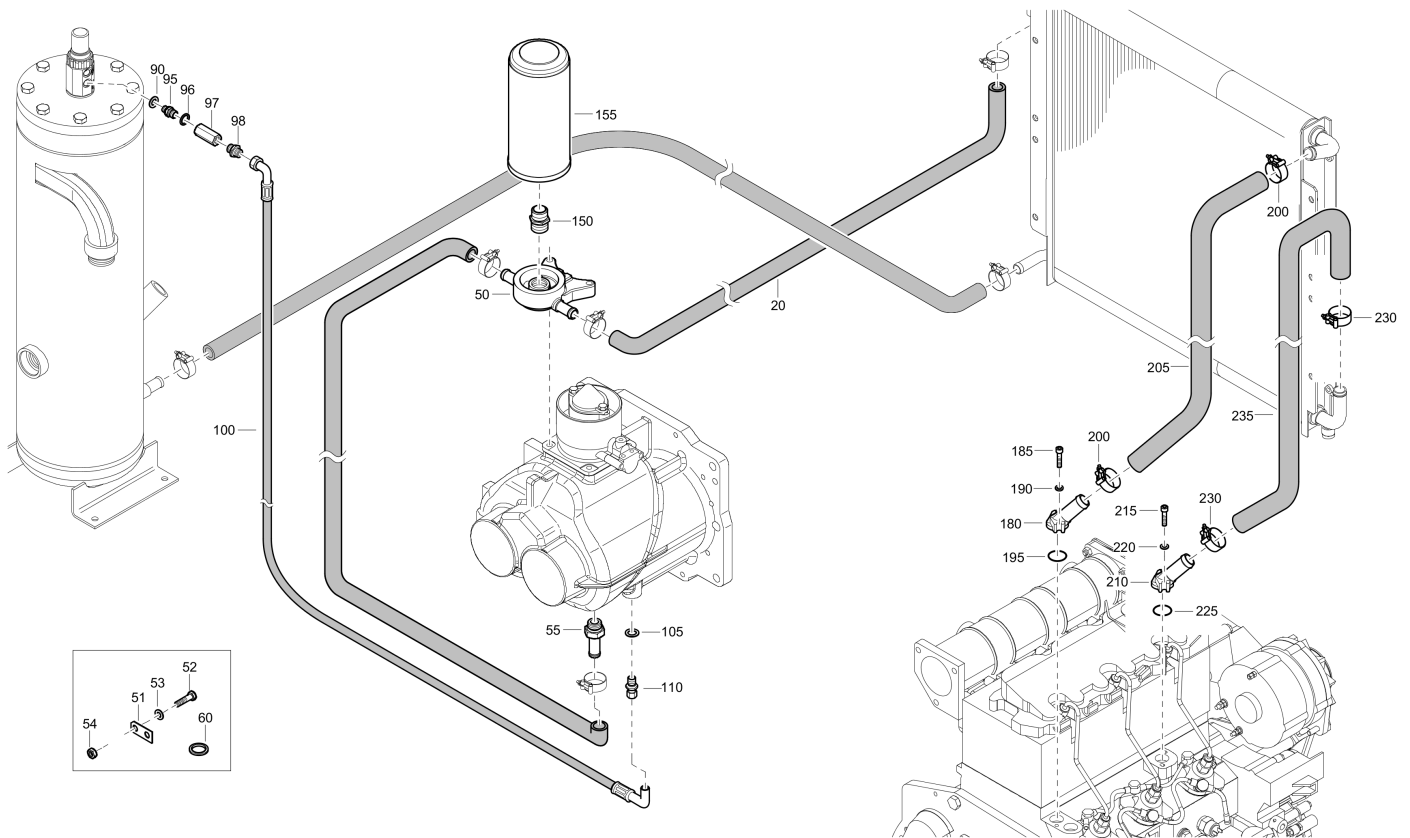
Item	Part No.	Name	Qty	L
35	1615766785	Valve	1	
40	0663210616	O-ring	1	
45	0211132303	Hex. socket screw	2	
50	0211132803	Screw	2	
55	1615838101	Bracket	1	
60	0147136203	Screw DIN933	1	
65	0147133103	Hexagon head screw	1	
70	0291111000	Locknut	1	
80	1615767683	Actuator assy	1	
90	0291111000	Locknut	2	
95	0147124703	Hex. head screw	1	
100	0291110800	Locknut	1	
105	0147124603	Hex. head screw	2	
110	0333322000	Washer DIN6798a	2	
115	1615911302	Bracket	1	
120	1202953900	Bush	1	
125	0147124603	Hex. head screw	1	
130	0301232100	Washer DIN9021	1	
132	0333322000	Washer DIN6798a	1	
135	0266210800	Nut DIN934	1	
200	0582120006	Pipe coupling	1	
205	0653104300	Flat gasket	1	
210	0070600205	Plastic tube	AR	
215	0582120006	Pipe coupling	1	
220	0653104300	Flat gasket	1	
230	0582120005	Coupling	1	
235	0653104300	Flat gasket	1	
240	0070600204	Plastic tube	AR	
245	0582120005	Coupling	1	
250	0653104300	Flat gasket	1	
260	0582120005	Coupling	1	
265	0653104300	Flat gasket	1	
270	0070600204	Plastic tube	AR	
275	0582120005	Coupling	1	
280	0653104300	Flat gasket	1	

Refer to the Parts Online web page for most up-to-date information. The printed information might be outdated.

Item	Part No.	Name	Qty	L
290	0582120005	Coupling	1	
295	0653104300	Flat gasket	1	
300	0070600204	Plastic tube	AR	
350	0686420103	Hexagon plug	1	
355	0653104600	Flat gasket	1	

This page intentionally left blank

Mechanical 1611728214_17 Oil system

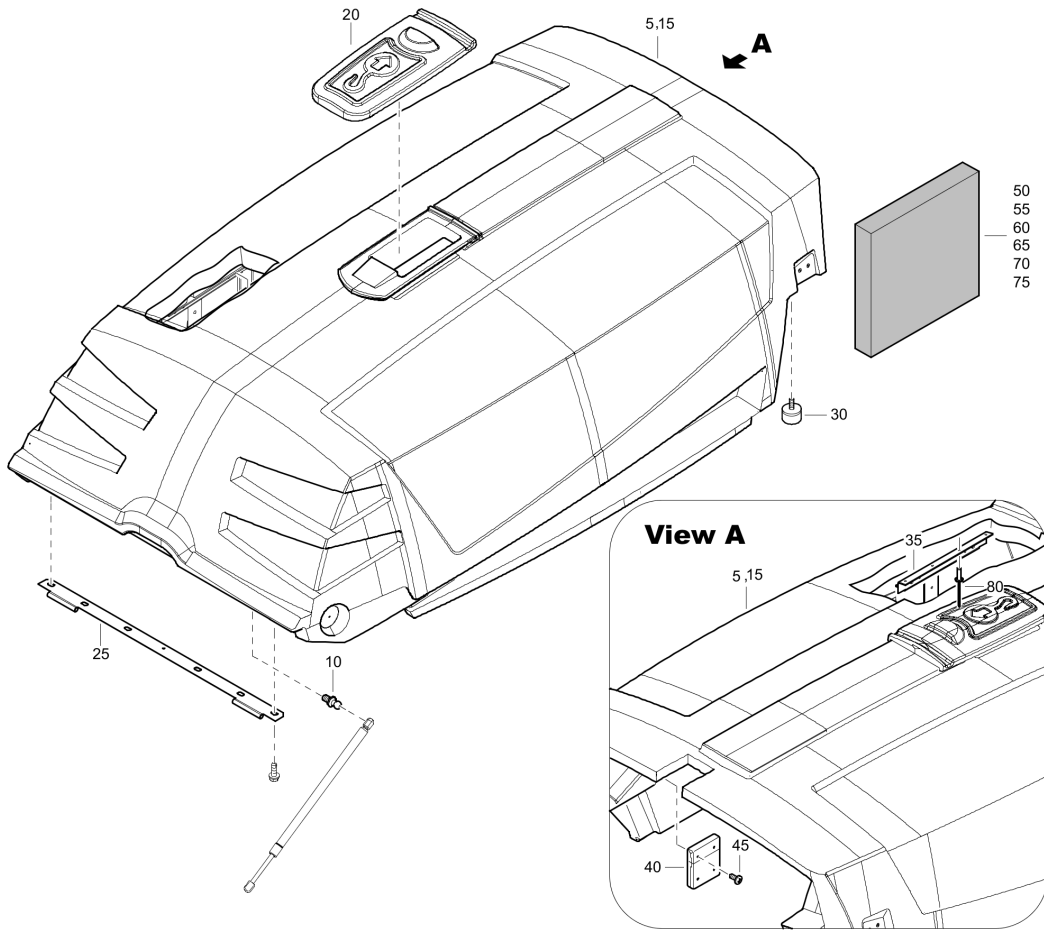


Refer to the Parts Online web page for most up-to-date information. The printed information might be outdated.

Item	Part No.	Name	Qty	L
20	0072840316	Tube	AR	
50	1615776703	Filter housing	1	
51	1604596600	Plate	1	
52	0147132603	Screw DIN933	1	
53	0301233500	Washer DIN125	1	
54	0266211000	Nut DIN934	1	
55	1626586500	Nipple	1	
60	0661100027	Seal gasket	1	
90	0653104600	Flat gasket	1	
95	0603550100	Hex. nipple	1	
96	0653107000	Gasket	2	
97	0823005009	Non return valve	1	
98	1626647600	Nipple	1	
100	0575046134	Hose assembly	1	
105	0653106200	Gasket	1	
110	0581000052	Straight pipe coupling	1	
150	1619377001	Oil filter	1	
155	1613610500	Oil-filter	1	
180	1604403500	Connection	1	
185	0211124903	Hex. Sock Screw	2	
190	0301232100	Washer DIN9021	2	
195	1604332100	O-ring	1	
200	1202866302	Hose clip	2	
205	0075402539	Hose	AR	
210	1604403500	Connection	1	
215	0211124903	Hex. Sock Screw	2	
220	0301232100	Washer DIN9021	2	
225	1604332100	O-ring	1	
230	1202866302	Hose clip	2	
235	0075402539	Hose	AR	

Refer to the Parts Online web page for most up-to-date information. The printed information might be outdated.

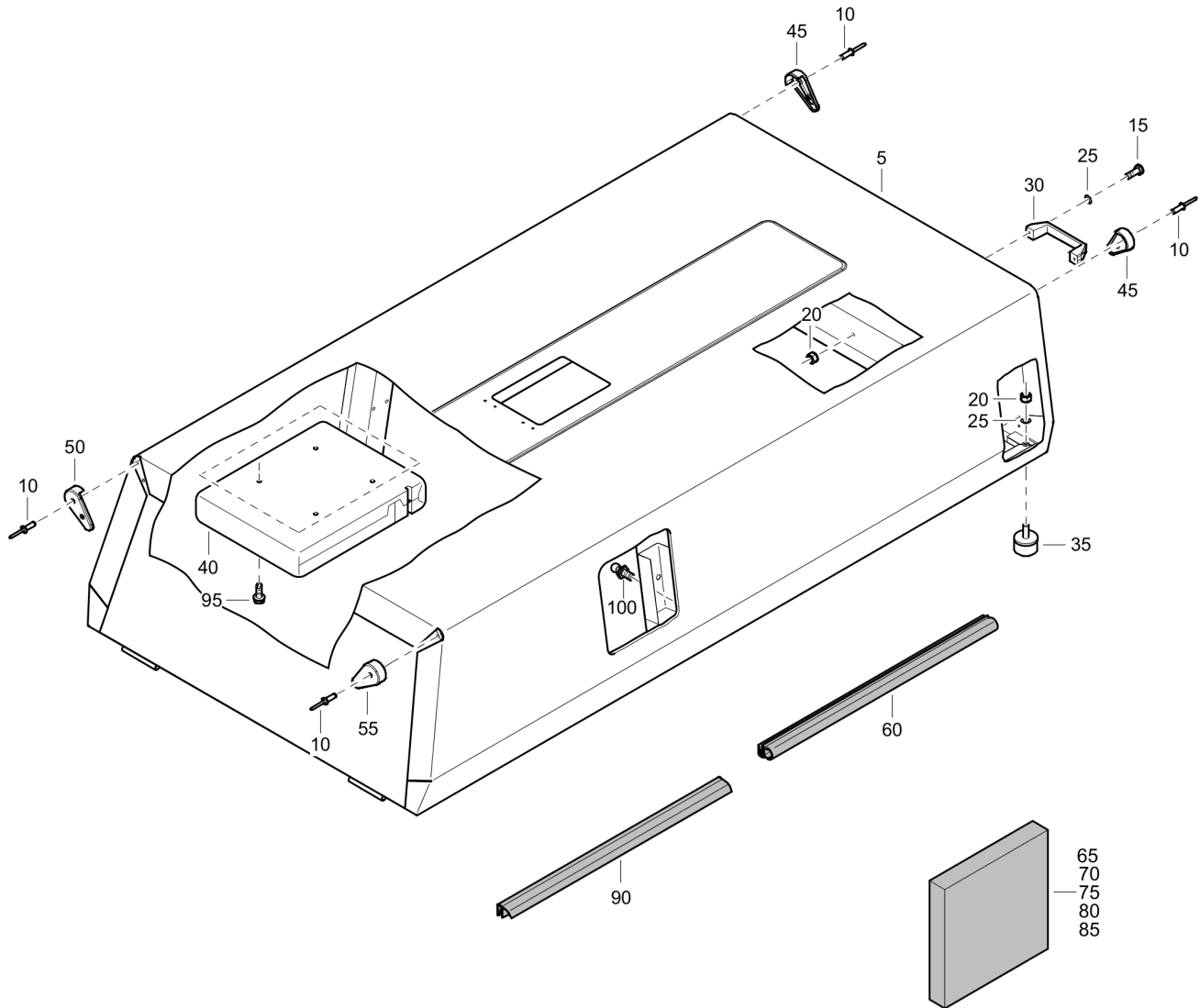
Mechanical 1604672282_00 HOOD ASSEMBLY PE 3 CYL



Refer to the Parts Online web page for most up-to-date information. The printed information might be outdated.

Item	Part No.	Name	Qty	L
5	1604672200	HOOD	1	
10	1626310800	Ball stud	2	
15	1604672200	HOOD	1	
20	1604625801	Cover	1	
25	1604717700	Hook	1	
30	1604186900	Buffer	2	
35	1604651202	T-BRACKET	2	
40	1604220600	Document holder	1	
45	0226004705	Screw tapping	4	
50	-	Silencing foam (40mm)	1	
55	-	Silencing foam (40mm)	1	
60	-	Silencing foam (40mm)	1	
65	-	Silencing foam (30mm)	1	
70	-	Silencing foam (30mm)	2	
75	-	Silencing foam (40mm)	1	
80	-	BLIND RIVET	32	
-	1079000332	Insulation foam(2000 mm x 1500 mm x 30 mm)		
-	1079000191	Insulation(2000 mm x 1500 mm x 40 mm)		

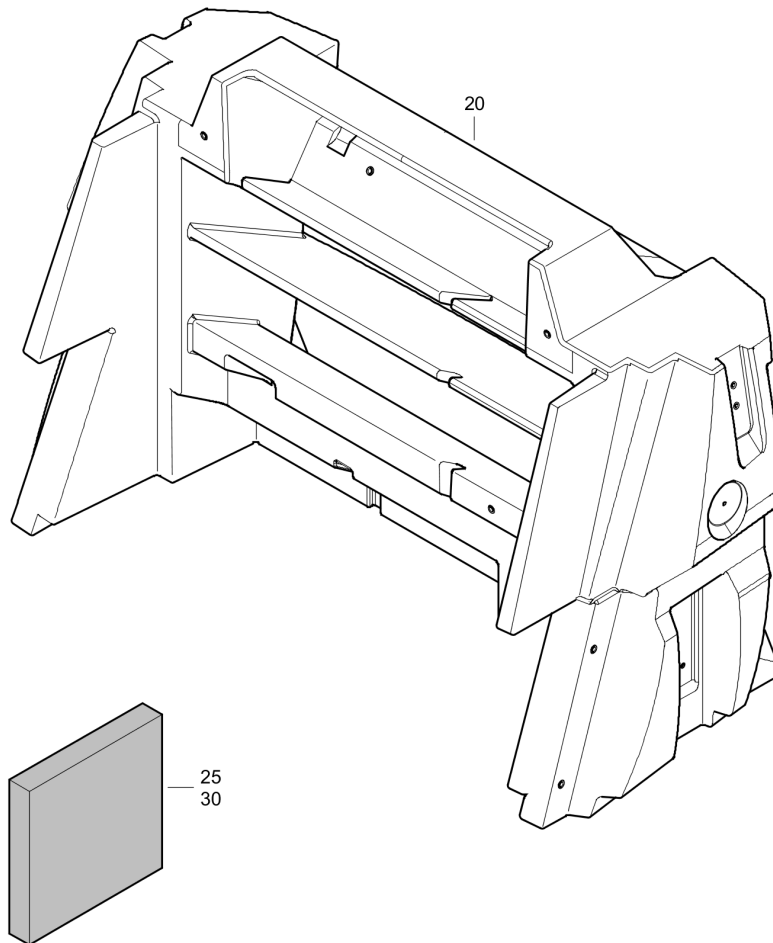
Mechanical 1626660580_01 HOOD



Refer to the Parts Online web page for most up-to-date information. The printed information might be outdated.

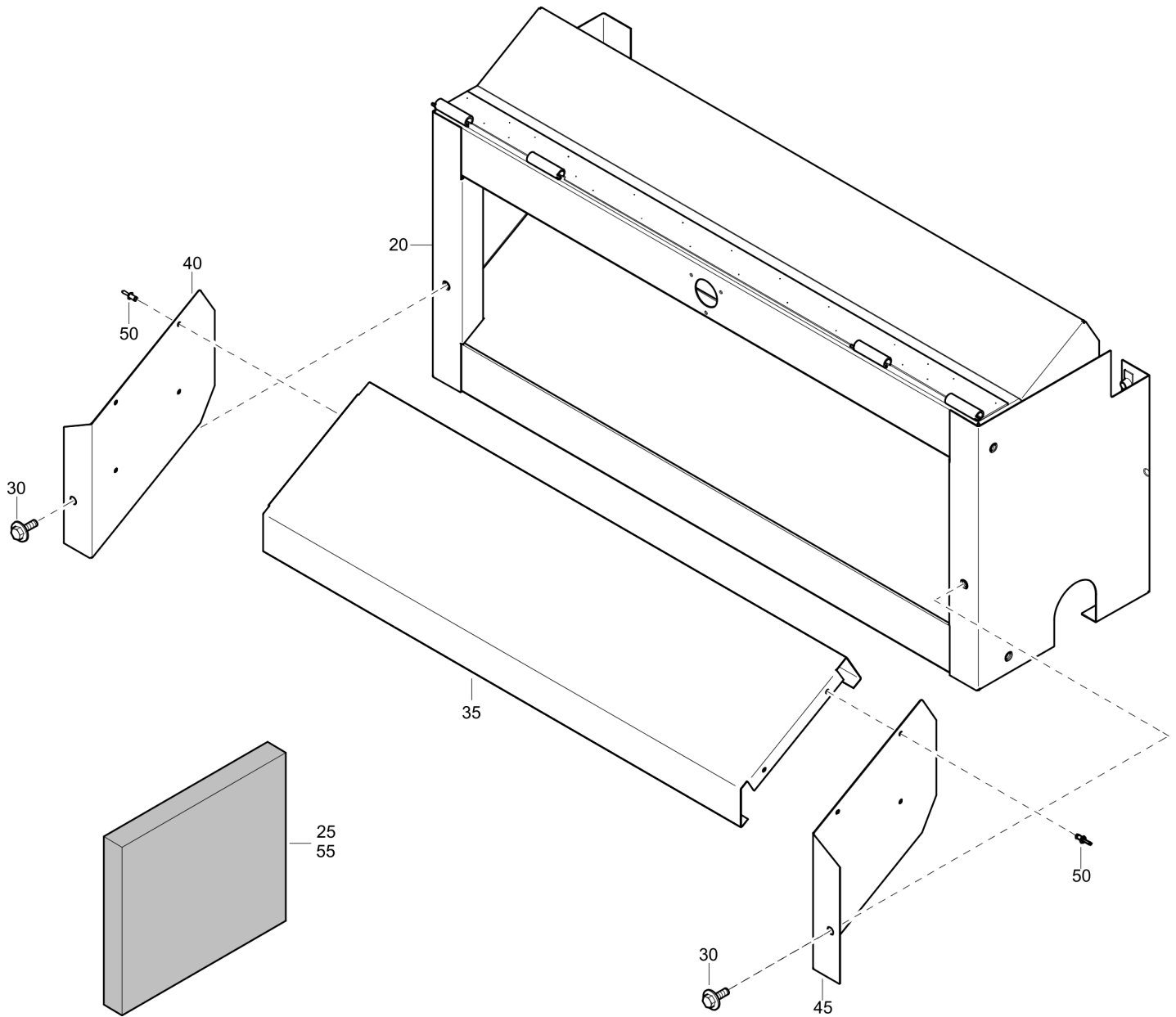
Item	Part No.	Name	Qty	L
10	0129311300	Blind rivet	8	
15	0147124603	Hex. head screw	2	
20	0266210800	Nut DIN934	4	
25	0333322000	Washer DIN6798a	4	
30	1202867300	Handgrip	1	
35	1604186900	Buffer	2	
40	1604220600	Document holder	1	
45	1604405600	Protection	2	
50	1604405700	Protection	1	
55	1604406200	Protection	1	
60	1604431700	Seal	AR	
65	-	Silencing foam (40 mm)	1	
70	-	Silencing foam (40 mm)	1	
75	-	Silencing foam (40 mm)	1	
80	-	Silencing foam (40 mm)	1	
85	-	Silencing foam (30 mm)	2	
90	1619266500	Seal	AR	
95	1619589801	Screw DIN6900	4	
100	1626310800	Ball stud	2	
-	1079000332	Insulation foam(2000 mm x 1500 mm x 30 mm)		
-	1079000191	Insulation(2000 mm x 1500 mm x 40 mm)		

Mechanical 1604672381_00 BAFFLE ASSEMBLY



Item	Part No.	Name	Qty	L
20	1604672301	BAFFLE	1	
25	-	Silencing foam (30 mm)	1	
30	-	Silencing foam (50 mm)	1	
-	1079000332	Insulation foam(2000 mm x 1500 mm x 30 mm)		
-	1079000333	Insulation silencing foam(2000 mm x 1500 mm x 50 mm)		

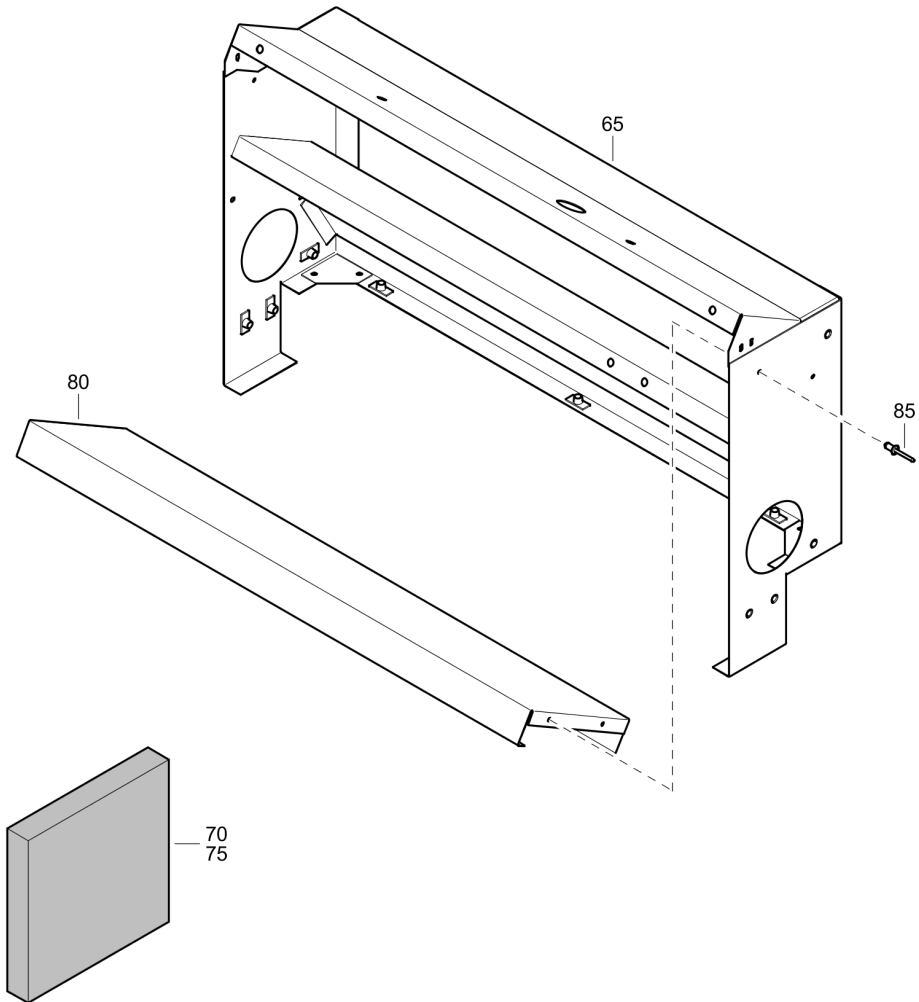
Mechanical 1604407886_01 BAFFLE ASSEMBLY



Refer to the Parts Online web page for most up-to-date information. The printed information might be outdated.

Item	Part No.	Name	Qty	L
20	1604407835	BAFFLE	1	
25	-	Silencing foam (30 mm)	1	
30	1604342300	Scraper bolt	2	
35	1604400301	Baffle	2	
40	1604400401	Plate	1	
45	1604400501	Plate	1	
50	0129317201	Rivet	8	
55	-	Silencing foam (50 mm)	2	
-	1079000332	Insulation foam(2000 mm x 1500 mm x 30 mm)		
-	1079000333	Insulation silencing foam(2000 mm x 1500 mm x 50 mm)		

Mechanical 1604406685_00 REAR BAFFLE ASSEMBLY

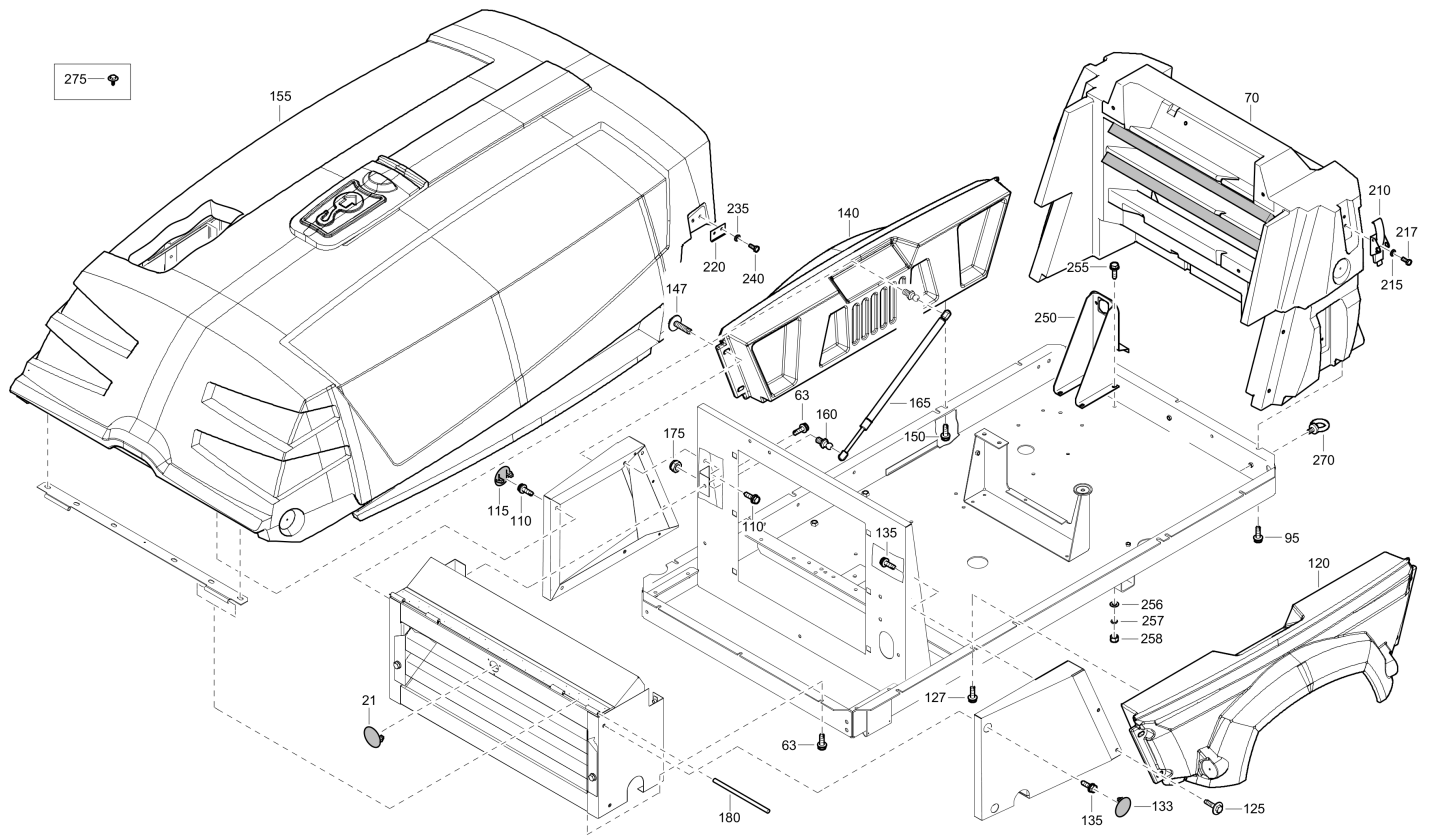


Refer to the Parts Online web page for most up-to-date information. The printed information might be outdated.

Item	Part No.	Name	Qty	L
65	1604406334	REAR BAFFLE	1	
70	-	Silencing foam (30 mm)	1	
75	-	Silencing foam (50 mm)	1	
80	1604406601	Baffle	1	
85	0129317201	Rivet	4	
-	1079000332	Insulation foam(2000 mm x 1500 mm x 30 mm)		
-	1079000333	Insulation silencing foam(2000 mm x 1500 mm x 50 mm)		

Refer to the Parts Online web page for most up-to-date information. The printed information might be outdated.

Mechanical 1611743414_16 BODYWORK

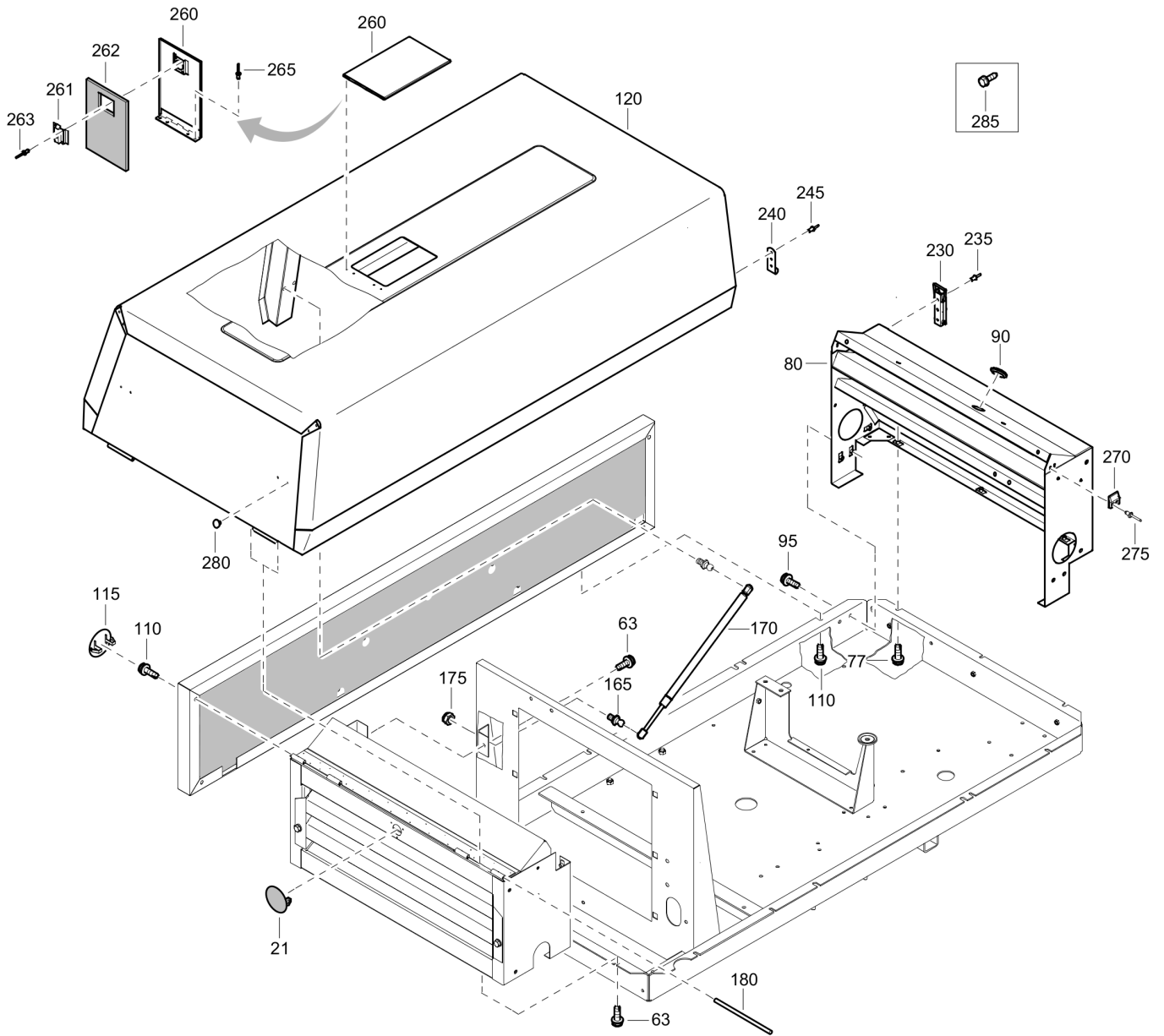


Refer to the Parts Online web page for most up-to-date information. The printed information might be outdated.

Item	Part No.	Name	Qty	L
21	1626412100	Plug	1	
63	1615566400	Screw type	7	
70	1604672381	Baffle assembly	1	
75	1611895114	Kw-xas67/97 pe	1	
95	1615566400	Screw type	5	
110	1615566400	Screw type	5	
115	1604385800	Plug	2	
120	1604596301	Mudguard	1	
125	1604646600	Bolt	4	
127	1615566400	Screw type	2	
133	1604385800	Plug	2	
135	1615566400	Screw type	5	
140	1604596301	Mudguard	1	
147	1604646600	Bolt	4	
150	1615566400	Screw type	2	
155	1604672282	Hood assembly	1	
160	1626310800	Ball stud	2	
165	1626310700	Gas spring	2	
175	0291110800	Locknut	2	
180	1605002500	Rod	2	
210	1604627600	Latch	2	
215	0301232100	Washer DIN9021	4	
217	0147124403	Hex. Head screw	4	
220	1604627500	Catch	2	
235	0301232100	Washer DIN9021	4	
240	0147124403	Hex. Head screw	4	
250	1604611402	Bracket	1	
255	1615566400	Screw type	4	
256	0301233500	Washer DIN125	4	
257	0333322700	Lock washer	4	
258	0266211000	Nut DIN934	4	
270	0371110020	Lifting eye	2	
275	1619276500	Screw	2	

Refer to the Parts Online web page for most up-to-date information. The printed information might be outdated.

Mechanical 1611743214_30 BODYWORK & MOUNTS

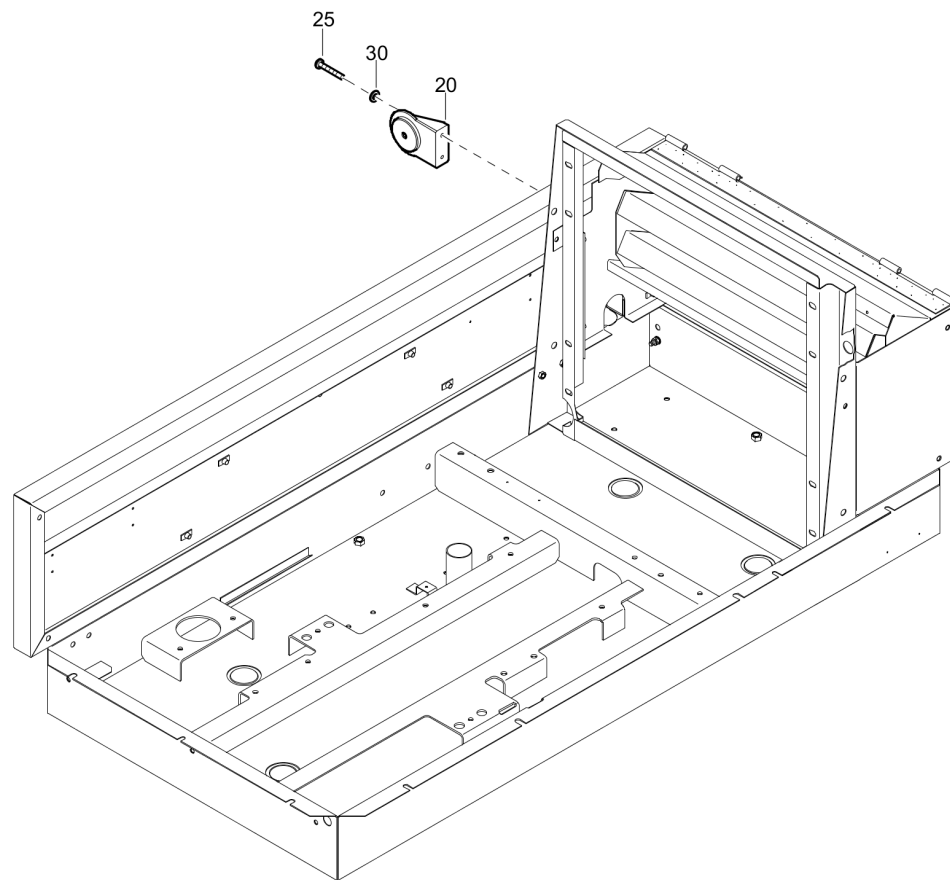


Refer to the Parts Online web page for most up-to-date information. The printed information might be outdated.

Item	Part No.	Name	Qty	L
21	1626412100	Plug	1	
63	1615566400	Screw type	7	
77	1615566400	Screw type	3	
80	1604406685	REAR BAFFLE ASSY	1	
90	1088080142	Grommet	1	
95	1604342300	Scraper bolt	4	
110	1615566400	Screw type	8	
115	1604385800	Plug	8	
120	1626660580	HOOD	1	
165	1626310800	Ball stud	2	
170	1626310700	Gas spring	2	
175	0291110800	Locknut	2	
180	1605002500	Rod	2	
230	1604668600	Latch	2	
235	0129317401	Blind rivet	6	
240	1604673300	Catch	2	
245	0129317401	Blind rivet	6	
260	1604384601	Door	1	
261	1613665001	Lock	1	
262	1604618100	Seal	1	
263	0129317201	Rivet	4	
265	0129317201	Rivet	4	
270	1626053100	POSITIONING GUIDE HOOD	2	
275	0129317401	Blind rivet	4	
280	0686925286	Plug	4	
285	1619589801	Screw DIN6900	2	

Refer to the Parts Online web page for most up-to-date information. The printed information might be outdated.

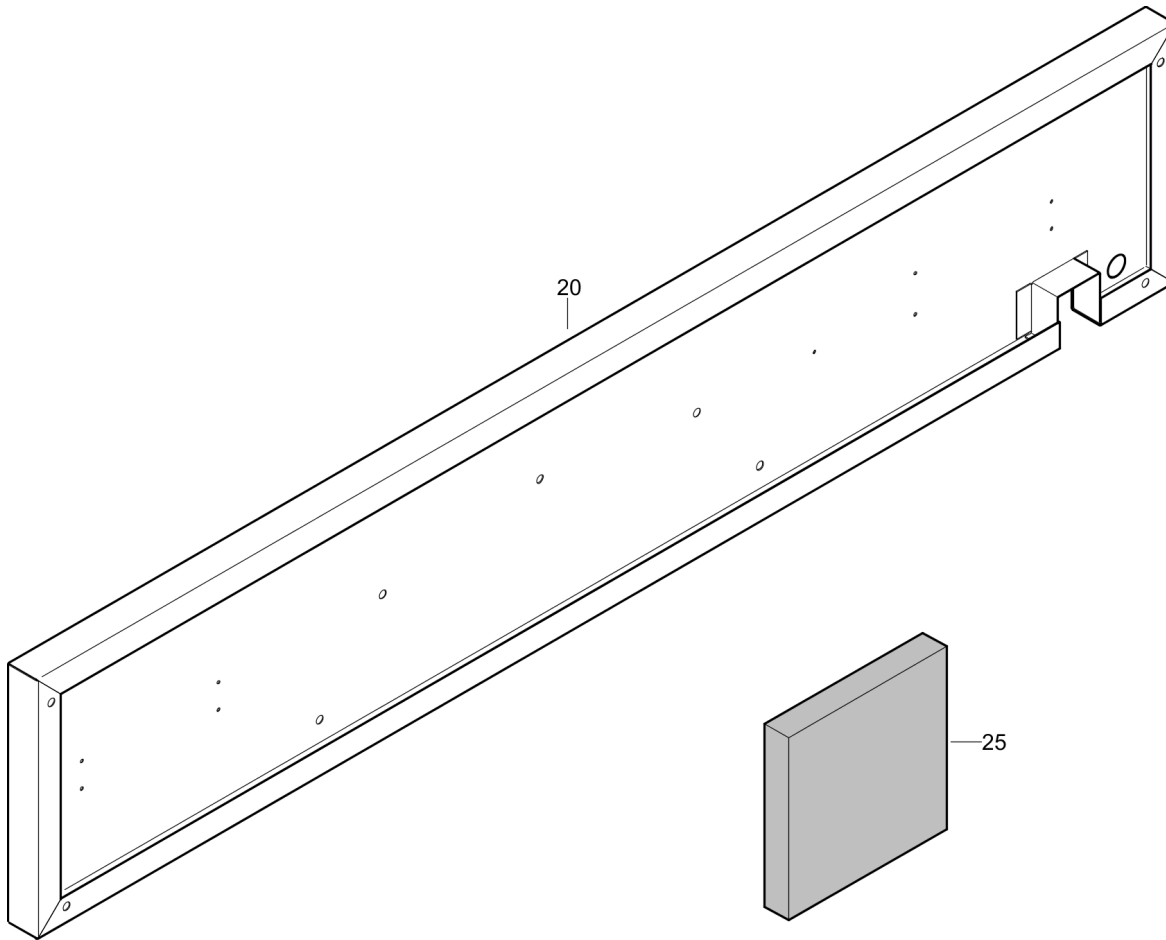
Mechanical 1611766414_01 NO SIDE PROTECTIONS



Refer to the Parts Online web page for most up-to-date information. The printed information might be outdated.

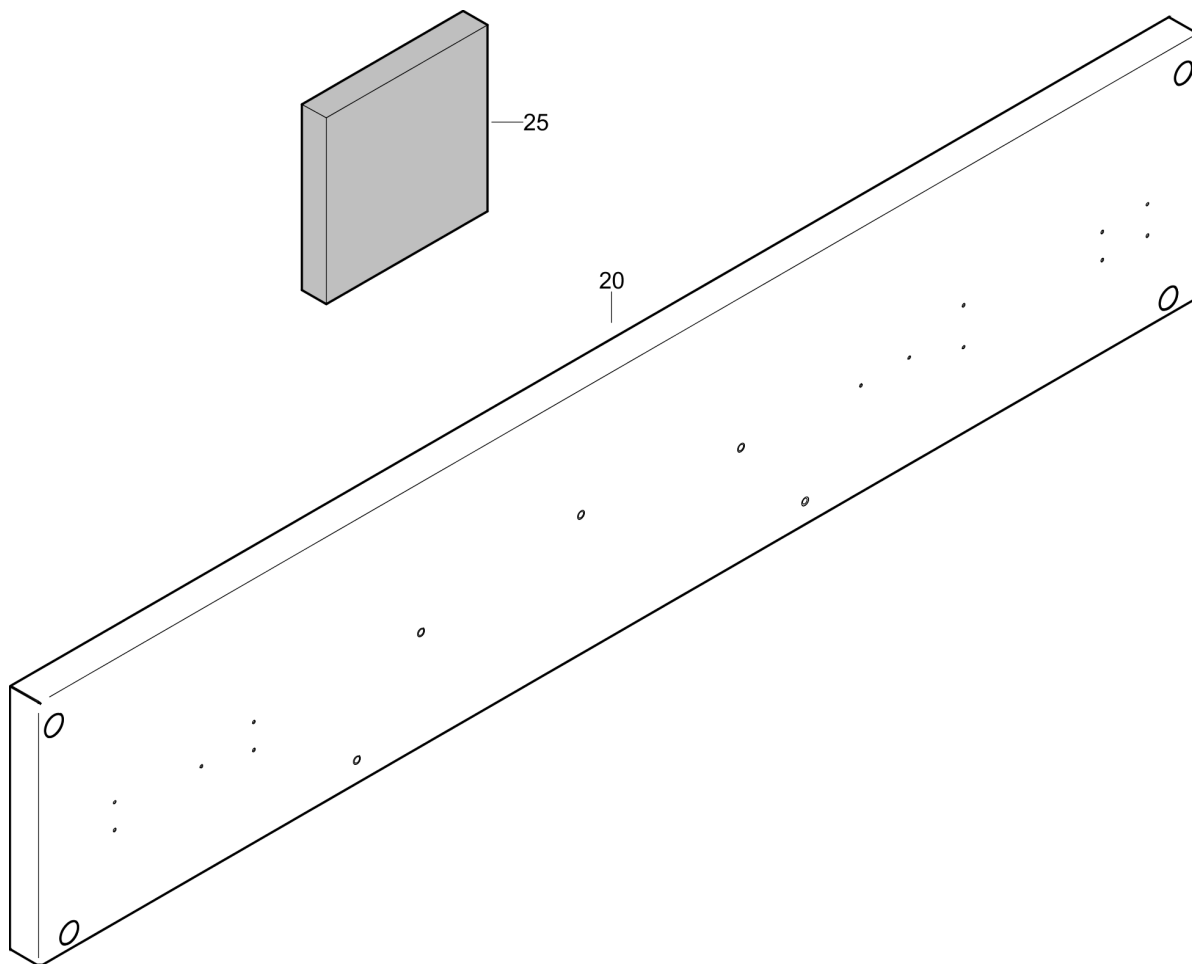
Item	Part No.	Name	Qty	L
20	1605102900	Reflector	2	
25	0226004705	Screw tapping	4	
30	0301232100	Washer DIN9021	4	

Mechanical 1604545682_00 PANEL ASSEMBLY



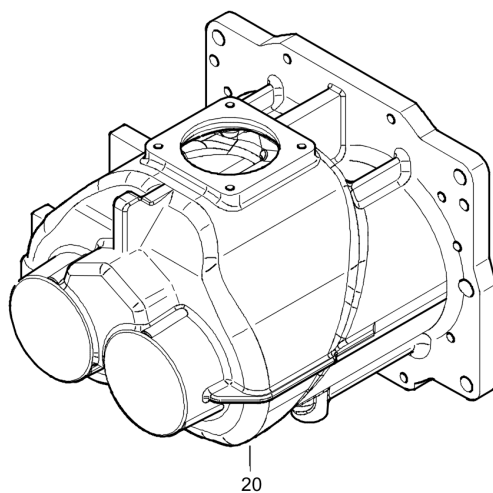
Item	Part No.	Name	Qty	L
20	1604545602	PANEL	1	
25	-	Silencing foam (50 mm)	1	
-	1079000333	Insulation silencing foam(2000 mm x 1500 mm x 50 mm)		

Mechanical 1604545782_00 PANEL ASSEMBLY



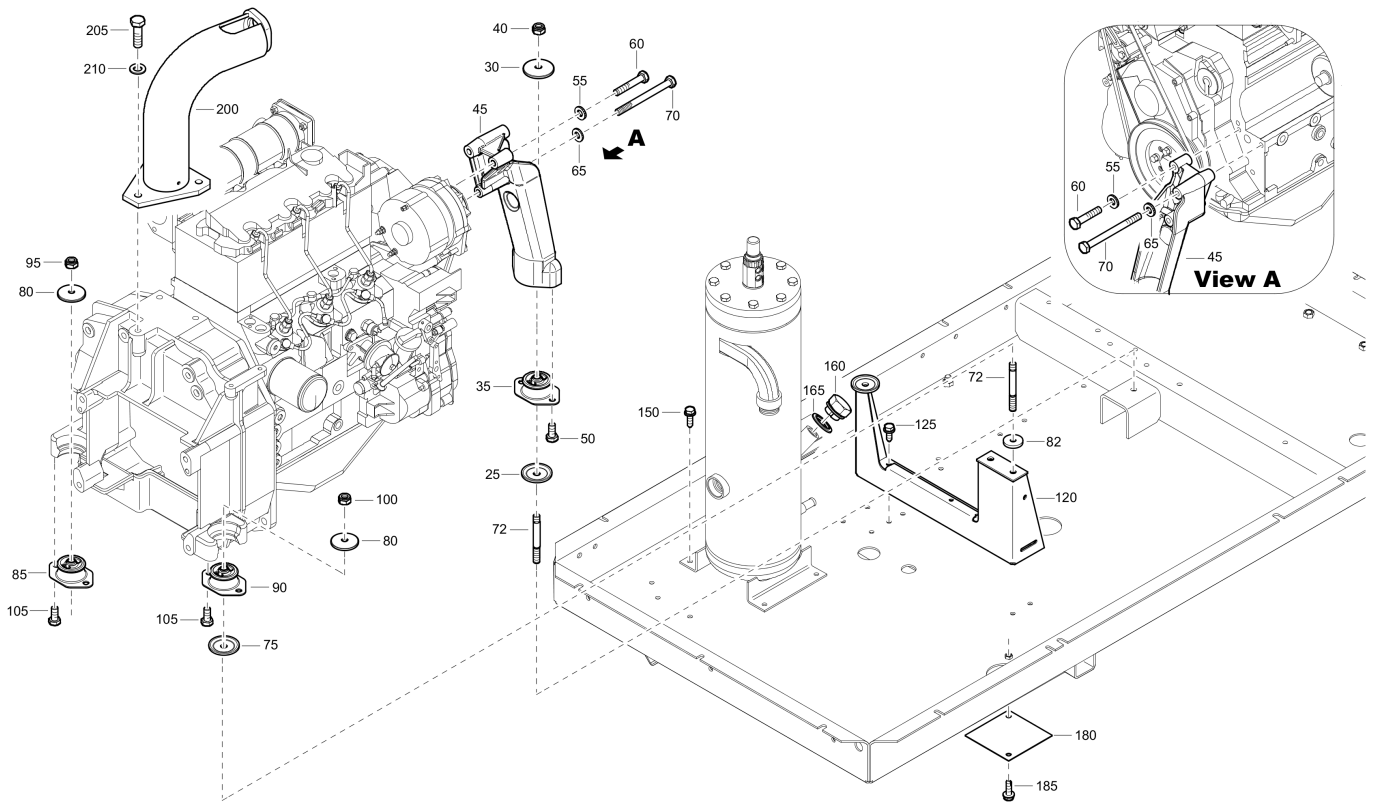
Item	Part No.	Name	Qty	L
20	1604545702	PANEL	1	
25	-	Silencing foam (50 mm)	1	
-	1079000333	Insulation silencing foam(2000 mm x 1500 mm x 50 mm)		

Mechanical 1611710214_00 Element and mounts



Item	Part No.	Name	Qty	L
20	1616719490	Service stage o.i.s. k-38	1	

Mechanical 1611701214_19 FRAME AND MOUNTS

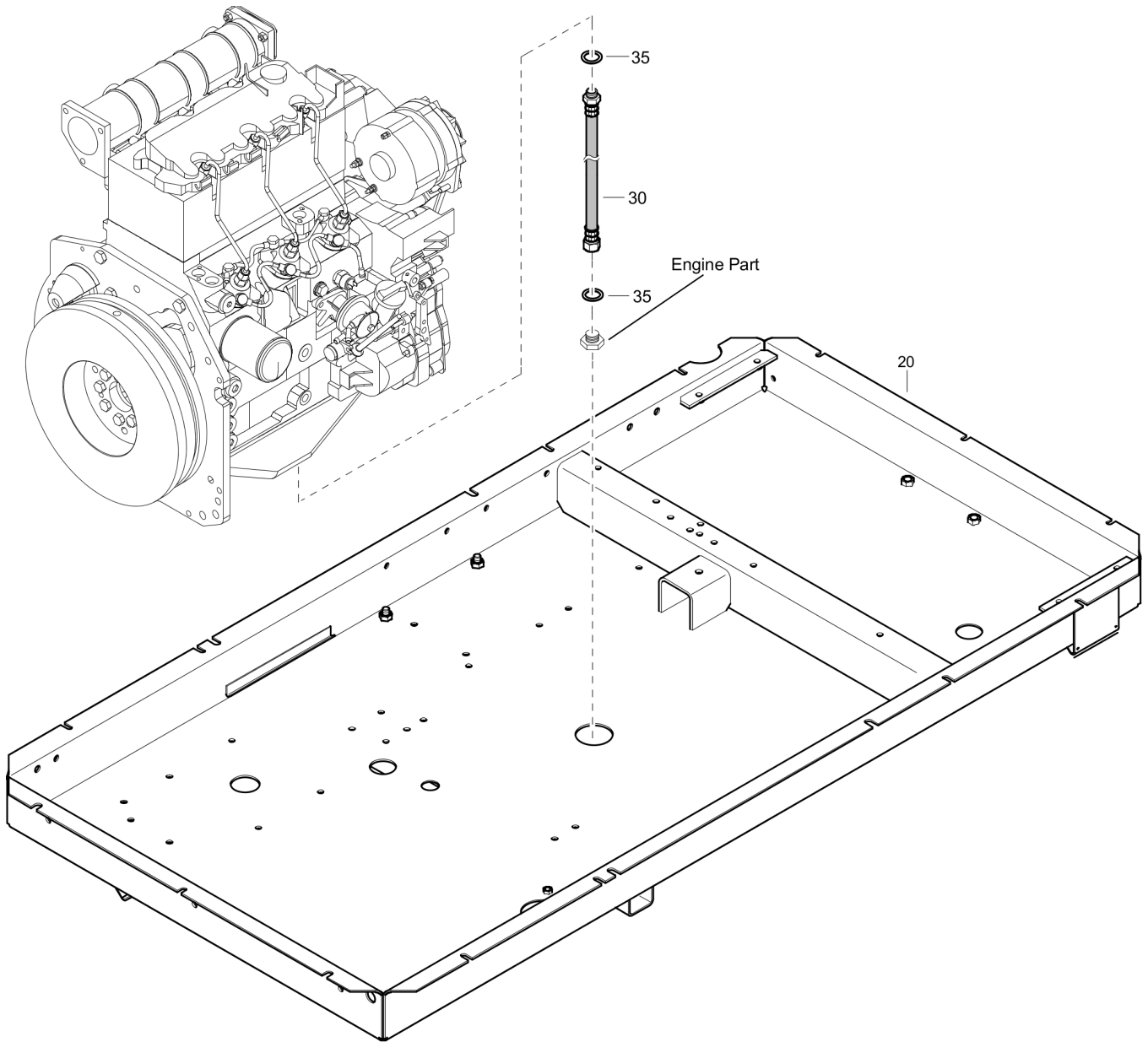


Refer to the Parts Online web page for most up-to-date information. The printed information might be outdated.

Item	Part No.	Name	Qty	L
25	1202871900	Washer	1	
30	1604422001	Disk	1	
35	1615830900	Antivibration pad	1	
40	0291111100	Nut DIN985	1	
45	1604399100	Support	1	
50	0147195874	Hex. head screw	2	
55	0333520013	Lock washer	1	
60	0147136803	Hexagon bolt	1	
65	0333520013	Lock washer	2	
70	0147137903	Hexagon head screw	2	
72	0246195655	Stud M10x87	3	
75	1202871900	Washer	1	
80	1604422001	Disk	2	
82	1604390600	Spacer	1	
85	1202900602	Vibrat mount	1	
90	1202900603	Antivibration pad	1	
95	0291111100	Nut DIN985	1	
100	0291111100	Nut DIN985	1	
105	0147195874	Hex. head screw	4	
120	1604401302	ENGINE SUPPORT	1	
125	1619276600	Screw DIN933	4	
150	1615566400	Screw type	4	
160	1615508000	Hexagon plug	1	
165	0661100029	Seal washer	1	
180	1604541902	COVER	1	
185	1615566400	Screw type	2	
200	1604409931	Lifting eye	1	
205	0147140215	Screw	3	
210	0301235800	Washer	3	

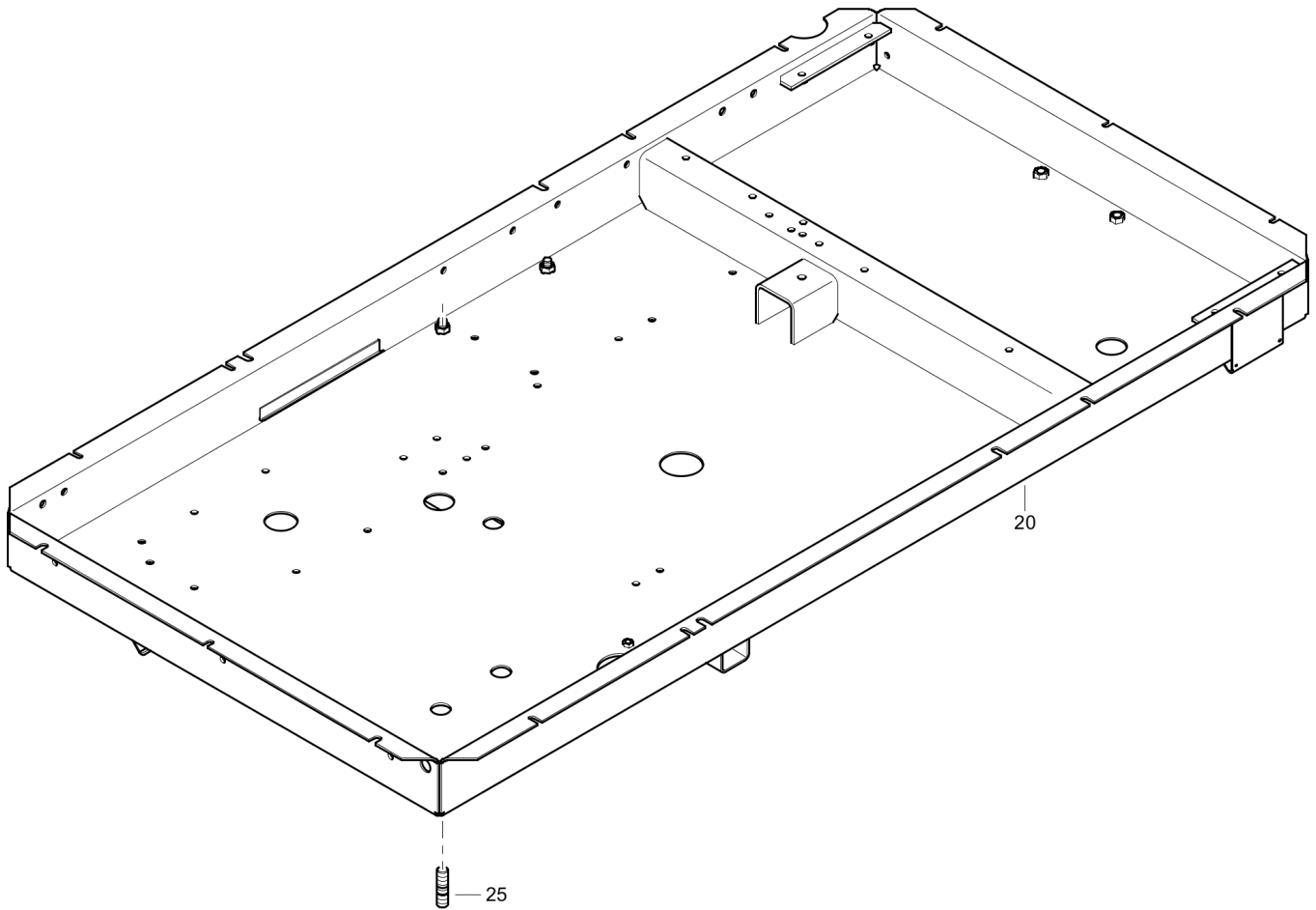
Refer to the Parts Online web page for most up-to-date information. The printed information might be outdated.

Mechanical 1611801314_10 FRAME NOT SPILLAGE FREE



Item	Part No.	Name	Qty	L
20	1604545989	FRAME XA(T)S67-97	1	
30	1604027600	Hose assembly	1	
35	0653111500	Flat gasket	2	

Mechanical 1604545989_00 FRAME



Item	Part No.	Name	Qty	L
20	1604545938	FRAME	1	
25	0246195657	Stud	4	

Mechanical 1611752614_20 MARKINGS XAS97

160

Atlas Copco				
XA(H,T)S 37-97 Dd / XA(H,T)S 70-185 DD7				
SERVICE PAK	Yearly or max.500 h	Compressor Oil	PAROIL M	PAROIL S
	XA(H)S 37-57 Dd/XA(H)S 70-110 DD7	2912 4391 06	5 l (1.3 US gal)	1615 5947 00 1615 5950 01
	XA(T)S 67-77 Dd/XA(T)S 125-150 DD7	2912 4392 06	20 l (5.2 US gal)	1615 5948 00 1615 5951 01
	XAS 97 Dd/XAS 185 DD7	2912 4393 06	208 l (55 US gal)	1615 5949 00 1615 5952 01
SEPARATOR KIT		Engine Oil	PAROIL 15W40	PAROIL 5W40
	2911 0068 00	5 l (1.3 US gal)	1615 5953 00 1604 6060 01	20 l (5.2 US gal) 1615 5954 00 1604 6059 01
1079 9927 28				

20

Atlas Copco

25

Atlas Copco

110

60

70

2.7 bar / 39 psi

2.7 bar / 39 psi

1079 9919 28

50

XAS 97

80

45

START

STOP

3min

42

180

3 YEAR WARRANTY

OPTIONAL 5 YEAR

150

www.atlascopco.com

30

Atlas Copco Airpower n.v.

35

20

Atlas Copco

170

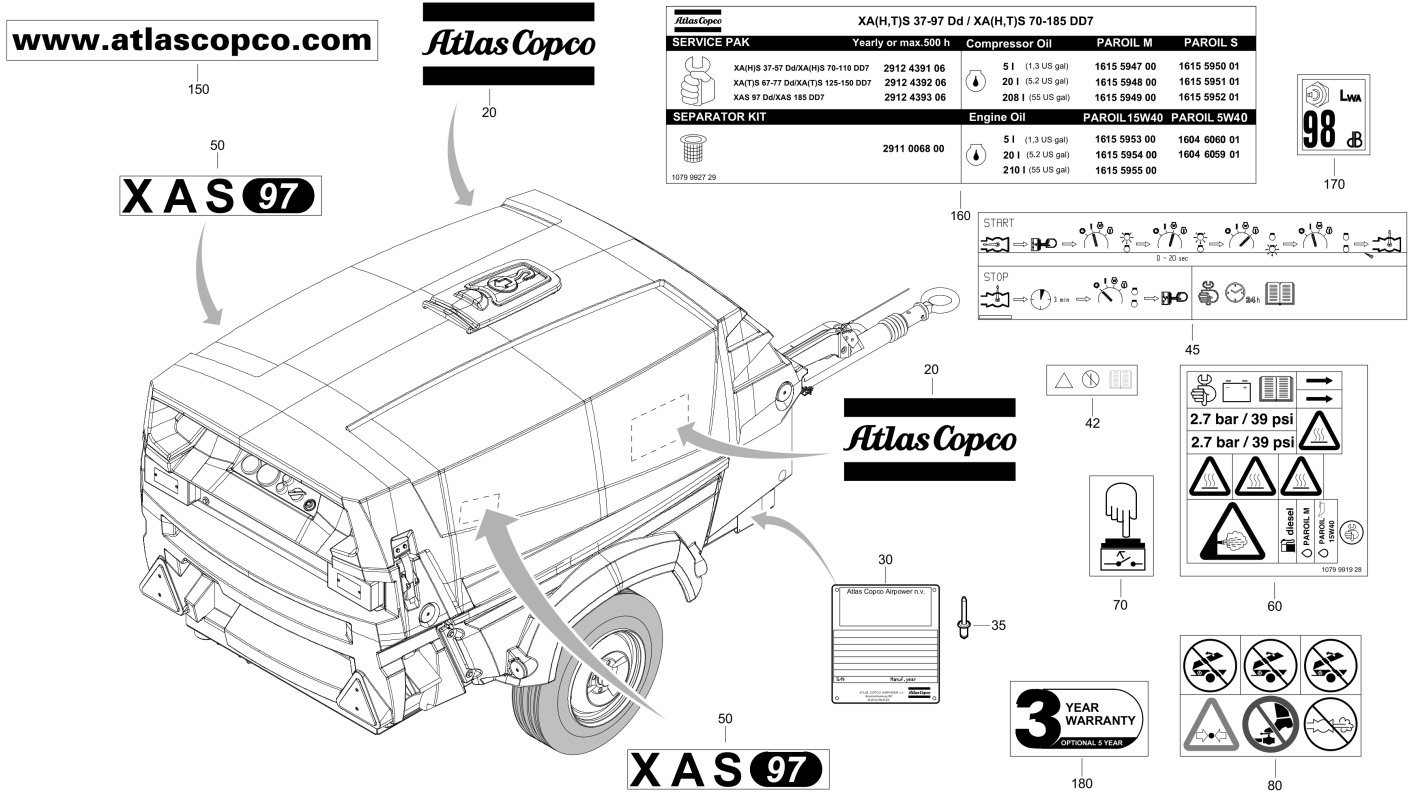
Lwa

98 dB

Refer to the Parts Online web page for most up-to-date information. The printed information might be outdated.

Item	Part No.	Name	Qty	L
20	0690113200	Label	2	
25	0690114000	Label	1	
30	-	Plate data	1	
35	0129327034	Rivet	4	
42	1079992490	Instruction label	1	
45	1079992489	Label	1	
50	1626090017	Decal	2	
60	1079991928	Information label	1	
70	1079991983	Information label	1	
80	1079990229	Warning label	1	
110	1079990258	Safety label	1	
150	1079992103	Label	1	
160	1079992729	Information label	1	
170	1604331709	Label	1	
180	1604579701	Warranty label	2	

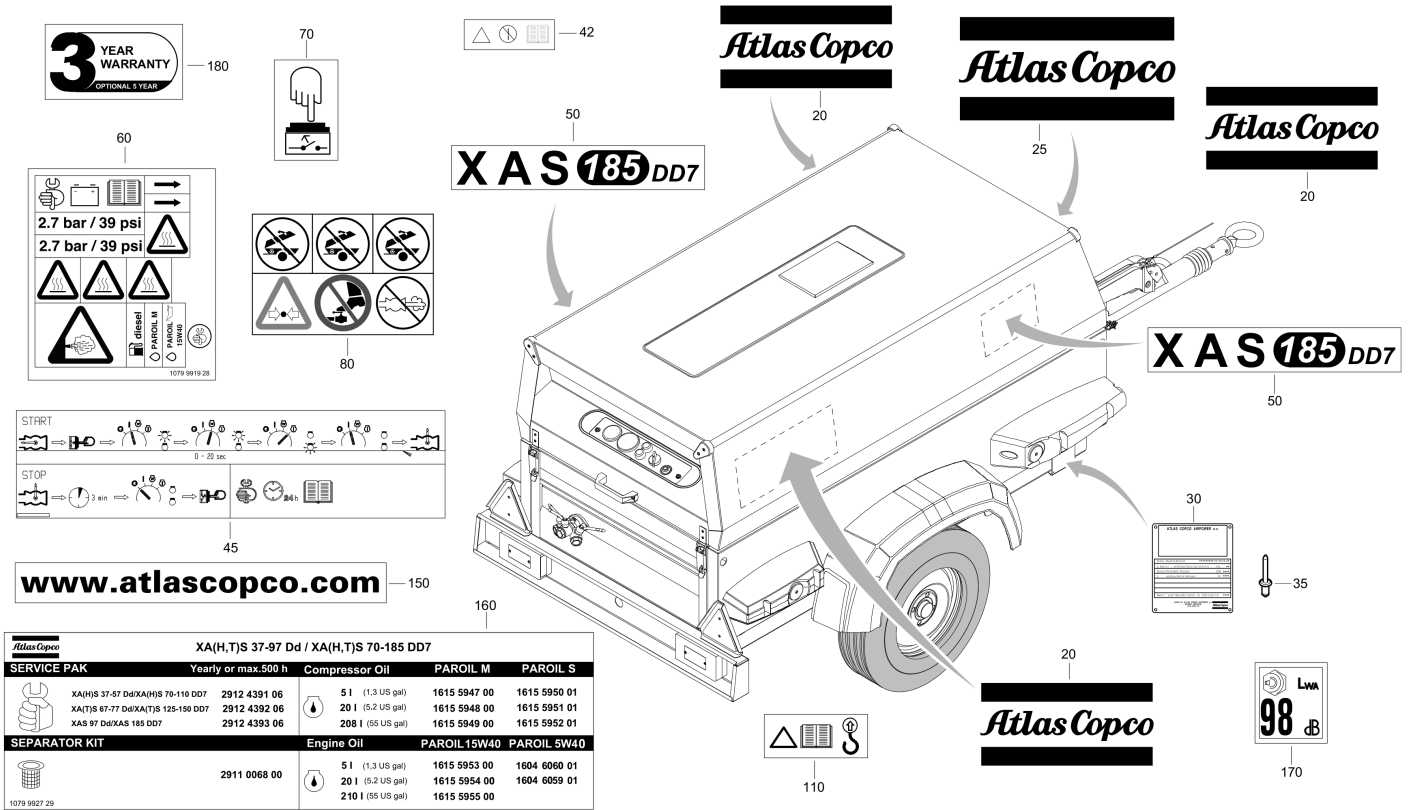
Mechanical 1611754014_10 MARKINGS XAS97



Refer to the Parts Online web page for most up-to-date information. The printed information might be outdated.

Item	Part No.	Name	Qty	L
20	0690113200	Label	2	
30	-	Plate data	1	
35	0129327034	Rivet	4	
42	1079992490	Instruction label	1	
45	1079992489	Label	1	
50	1626090017	Decal	2	
60	1079991928	Information label	1	
70	1079991983	Information label	1	
80	1079990229	Warning label	1	
150	1079992142	Information label	1	
160	1079992729	Information label	1	
170	1604331709	Label	1	
180	1604579701	Warranty label	2	

Mechanical 1611754914_04 MARKINGS CFM FOR STEEL CANOPY XAS185 DD7

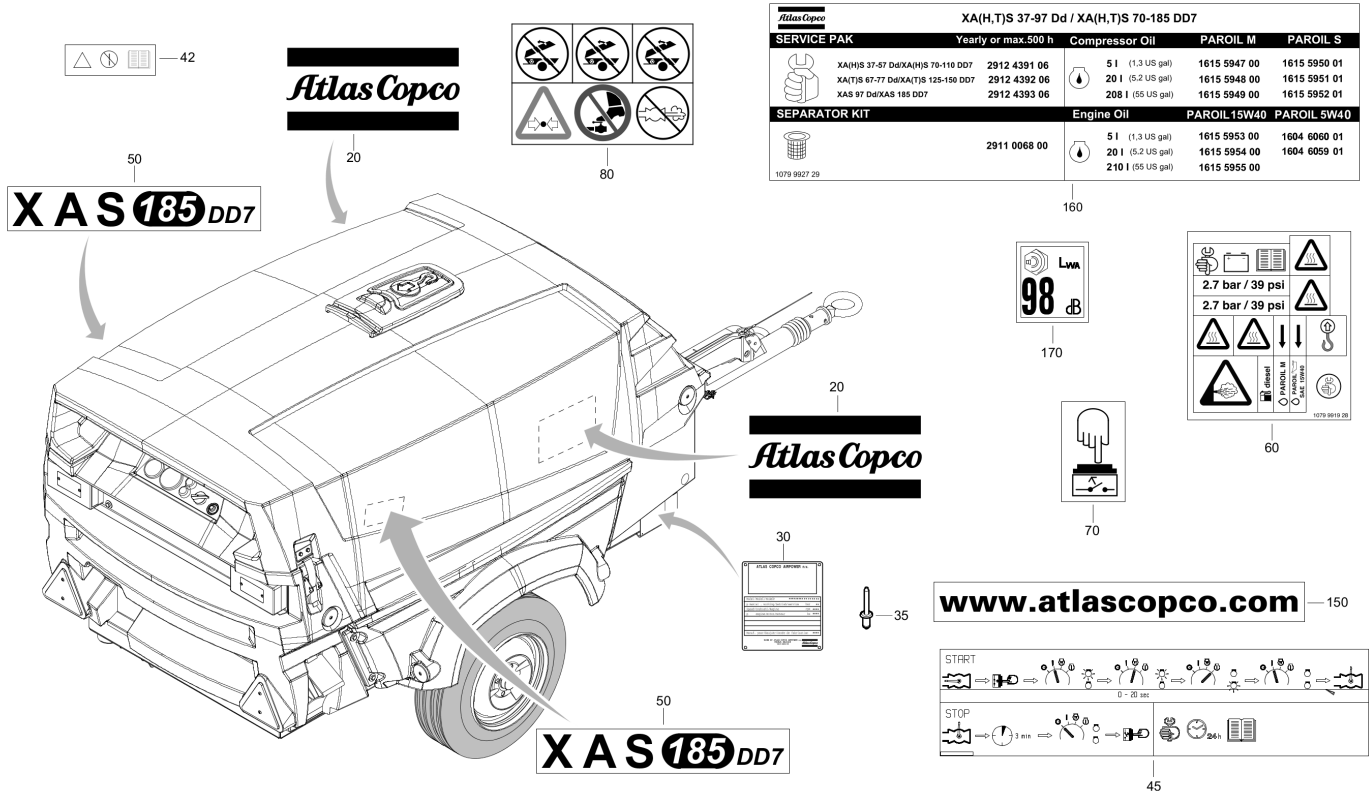


Atlas Copco		XA(H,T)S 37-97 Dd / XA(H,T)S 70-185 DD7			
SERVICE PAK		Yearly or max.500 h	Compressor Oil	PAROIL M	PAROIL S
	XA(H)S 37-97 Dd/XA(H)S 70-110 DD7	2912 4391 06	5 l (1.3 US gal)	1615 5947 00	1615 5950 01
	XA(T)S 67-77 Dd/XA(T)S 125-150 DD7	2912 4392 06	20 l (5.2 US gal)	1615 5948 00	1615 5951 01
	XAS 97 Dd/XAS 185 DD7	2912 4393 06	208 l (55 US gal)	1615 5949 00	1615 5952 01
SEPARATOR KIT		Engine Oil	PAROIL 15W40	PAROIL 5W40	
	2911 0068 00	5 l (1.3 US gal)	1615 5953 00	1604 6060 01	
		20 l (5.2 US gal)	1615 5954 00	1604 6059 01	
		210 l (55 US gal)	1615 5955 00		

Refer to the Parts Online web page for most up-to-date information. The printed information might be outdated.

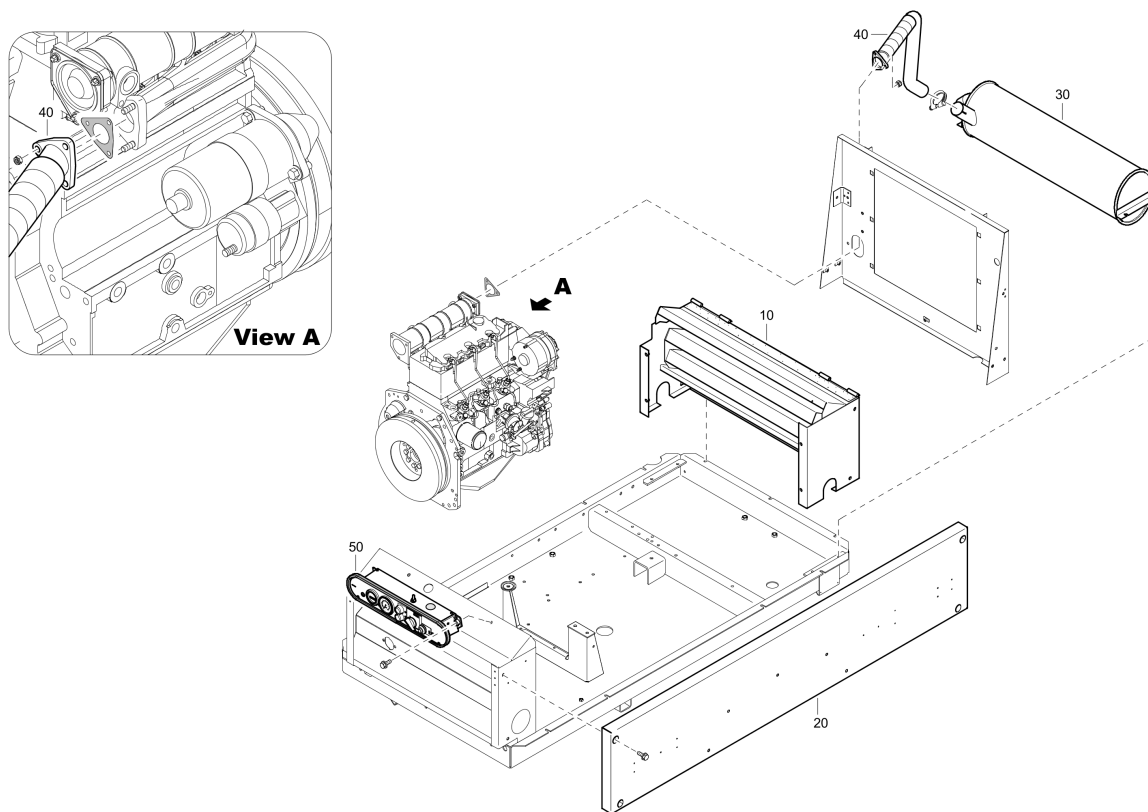
Item	Part No.	Name	Qty	L
20	0690113200	Label	3	
25	0690114000	Label	1	
30	-	DATE PLATE	1	
35	0129327034	Rivet	4	
42	1079992490	Instruction label	1	
45	1079992489	Label	1	
50	1626090018	Decal unit	2	
60	1079991928	Information label	1	
70	1079991983	Information label	1	
80	1079990229	Warning label	1	
110	1079990258	Safety label	1	
150	1079992103	Label	1	
160	1079992729	Information label	1	
170	1604331709	Label	1	
180	1604579701	Warranty label	2	

Mechanical 1611755014_04 MARKINGS CFM FOR HARDHAT



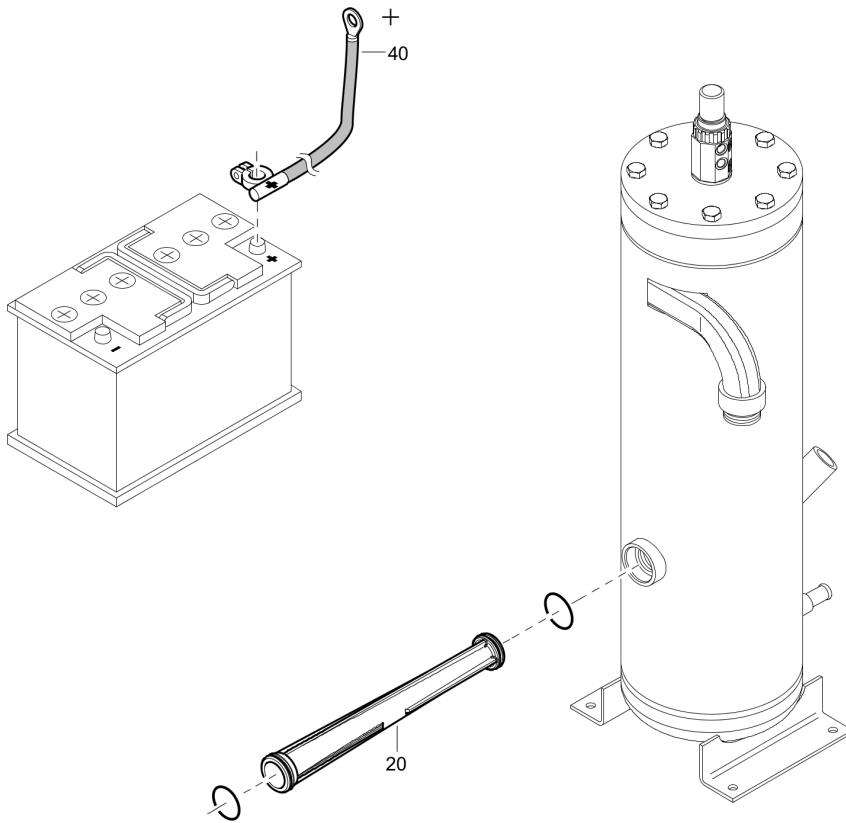
Item	Part No.	Name	Qty	L
20	0690113200	Label	2	
30	-	DATA PLATE	1	
35	0129327034	Rivet	4	
42	1079992490	Instruction label	1	
45	1079992489	Label	1	
50	1626090018	Decal unit	2	
60	1079991928	Information label	1	
70	1079991983	Information label	1	
80	1079990229	Warning label	1	
150	1079992142	Information label	1	
160	1079992729	Information label	1	
170	1604331709	Label	1	
180	1604579701	Warranty label	2	

Mechanical 1611807914_05 NO PARTICLE FILTER



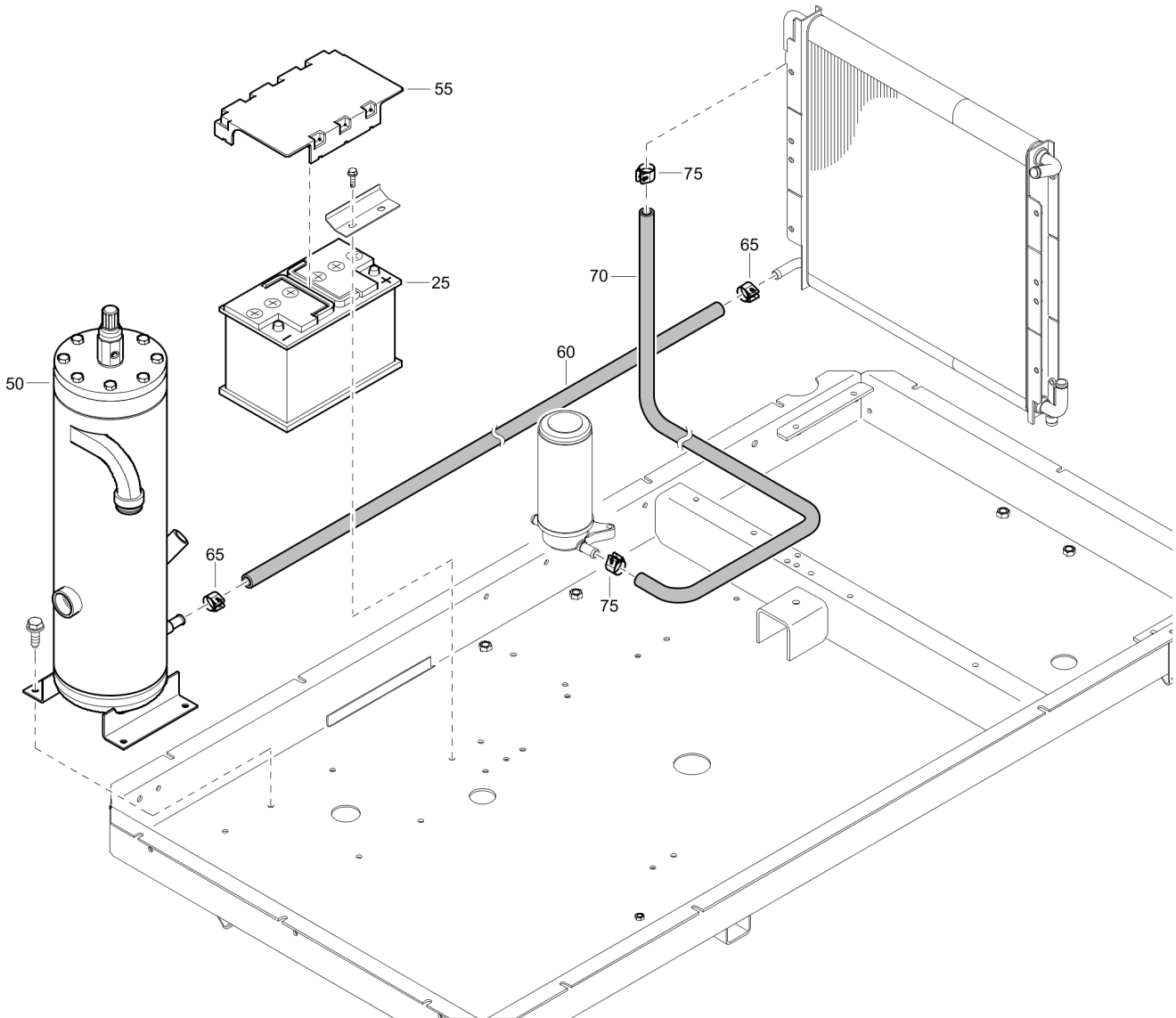
Item	Part No.	Name	Qty	L
10	1604407886	Baffle assembly	1	
20	1604545782	PANEL ASSY	1	
30	1604386132	Silencer	1	
40	1604580400	Pipe with flexible	1	
50	1626168280	Control panel assembly	1	

Mechanical 1611837114_05 NO AFTERCOOLER OR LUBRICATOR OR NO REHEATER



Item	Part No.	Name	Qty	L
20	1604402901	RESTRICTOR	1	
40	1615772501	Ttery cable	1	

Mechanical 1611849414_12 No cold start EC

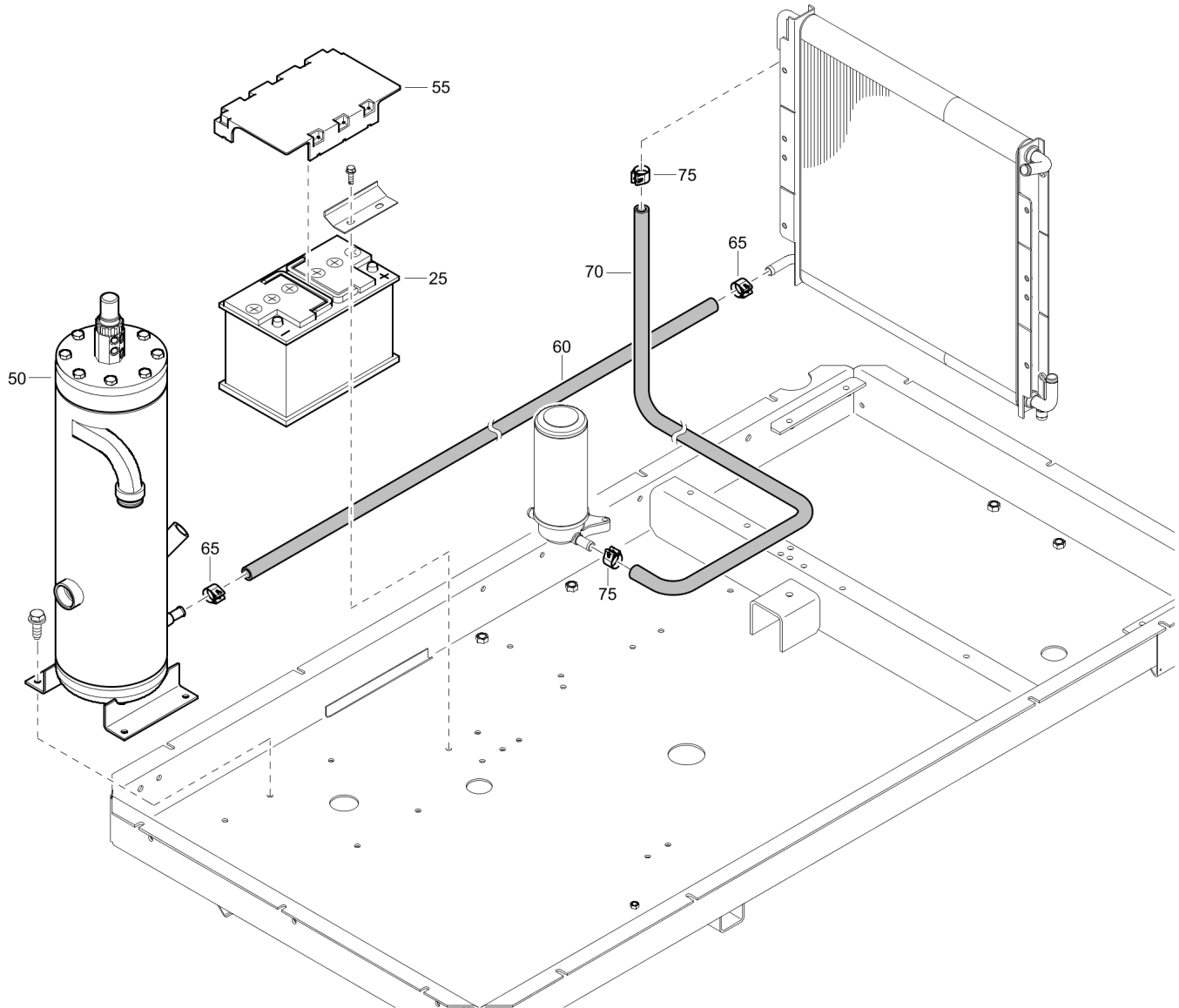


Refer to the Parts Online web page for most up-to-date information. The printed information might be outdated.

Item	Part No.	Name	Qty	L
25	0926540006	Battery	1	
50	1604402292	Vessel	1	
55	1604782200	Battery cover	1	
60	0072840316	Tube	AR	
65	0347620053	Clamp hose	2	
70	0072840316	Tube	AR	
75	0347620053	Clamp hose	2	

Refer to the Parts Online web page for most up-to-date information. The printed information might be outdated.

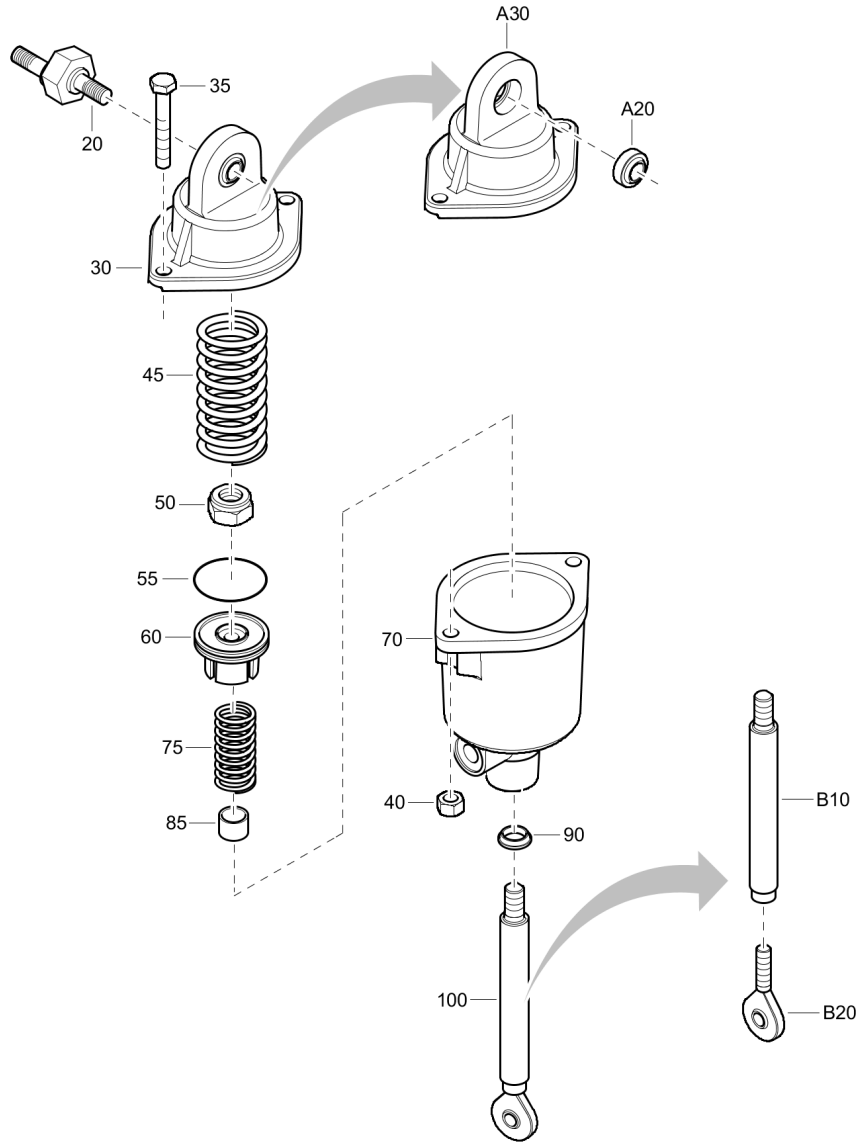
Mechanical 1611849514_12 NO COLD START ASME



Refer to the Parts Online web page for most up-to-date information. The printed information might be outdated.

Item	Part No.	Name	Qty	L
25	0926540006	Battery	1	
50	1604402292	Vessel	1	
55	1604782200	Battery cover	1	
60	0072840316	Tube	AR	
65	0347620053	Clamp hose	2	
70	0072840316	Tube	AR	
75	0347620053	Clamp hose	2	

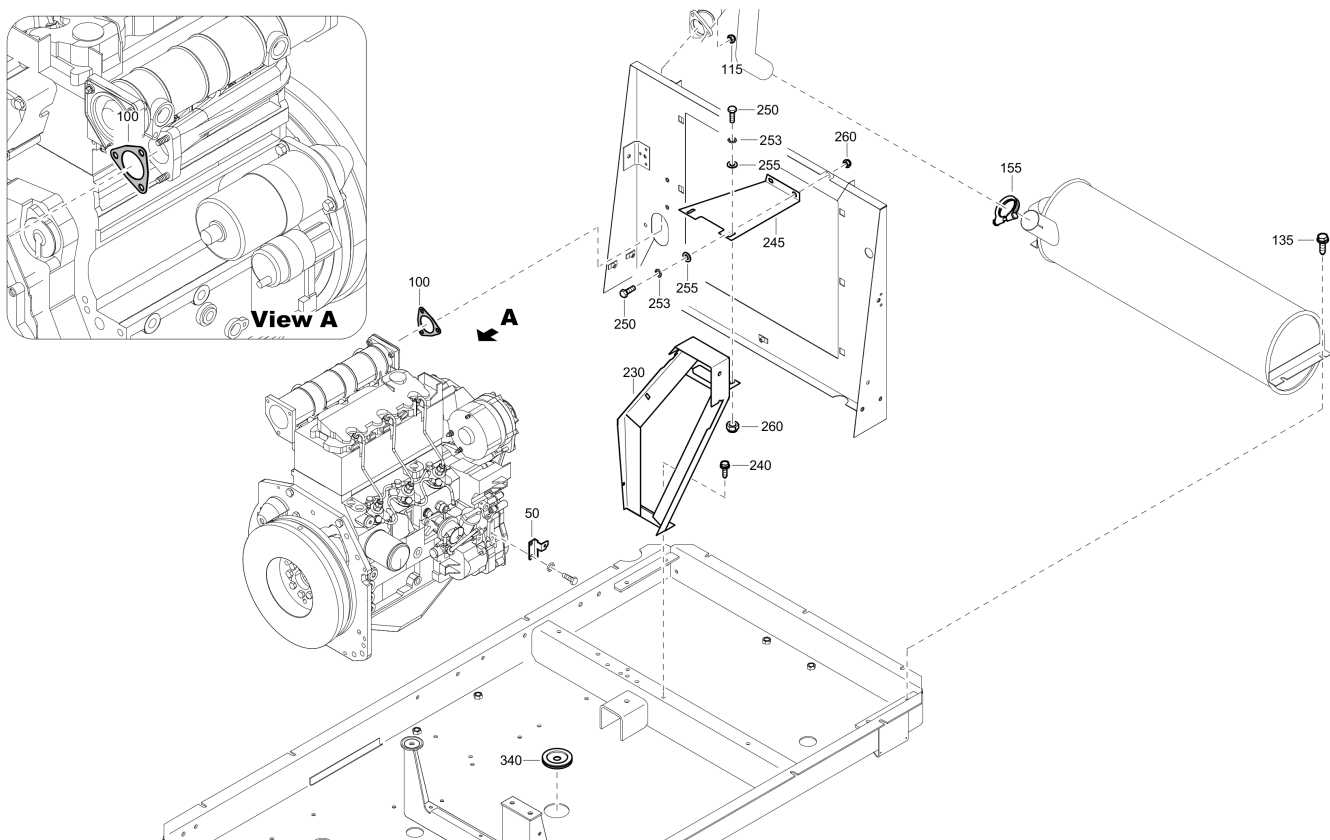
Mechanical 1615767683_01 Actuator assembly



Refer to the Parts Online web page for most up-to-date information. The printed information might be outdated.

Item	Part No.	Name	Qty	L
20	1615838200	Adaptor	1	
30	1615837381	Cover assembly	1	
A20	0501000700	Spherical plain bearing	1	
A30	1615837302	Cover	1	
35	0147125212	Hexagon head screw	2	
40	0266210800	Nut DIN934	2	
45	1615836900	Spring	1	
50	0291111000	Locknut	2	
55	0665099954	Piston seal	1	
60	1615875500	Piston	1	
70	-	HOUSING	1	
75	2252048900	Spring	1	
85	0500451031	Plain bearing	1	
90	0665911001	Wiper	1	
100	1615875681	Piston	1	
B10	1615875601	Piston rod	1	
B20	1615977000	Eye bolt with bearing	1	

Engine 1611707714_24 ENGINE AND ACCESSORIES XAS 97DD (G)

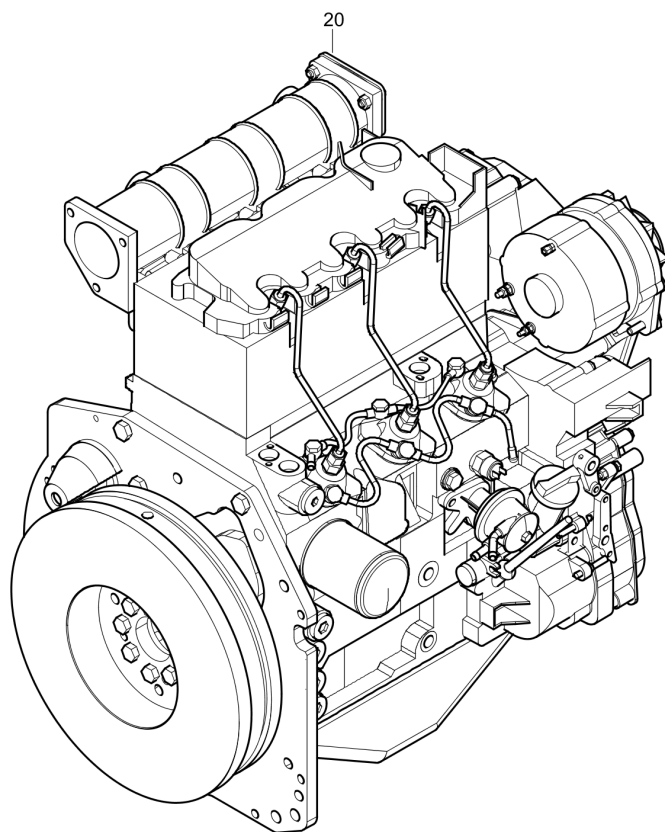


Refer to the Parts Online web page for most up-to-date information. The printed information might be outdated.

Item	Part No.	Name	Qty	L
50	1615911200	Lever	1	
100	1626488700	Gasket	1	
115	0291118504	Locknut	3	
135	1615566400	Screw type	4	
155	0346300108	Clamp	1	
230	1604405304	Mudguard	1	
240	1615566400	Screw type	2	
245	1604405402	Plate	1	
250	0147132203	Screw DIN 933	4	
253	0333322700	Lock washer	4	
255	0301233500	Washer DIN125	4	
260	0266211000	Nut DIN934	4	
340	1604610500	Grommet	1	

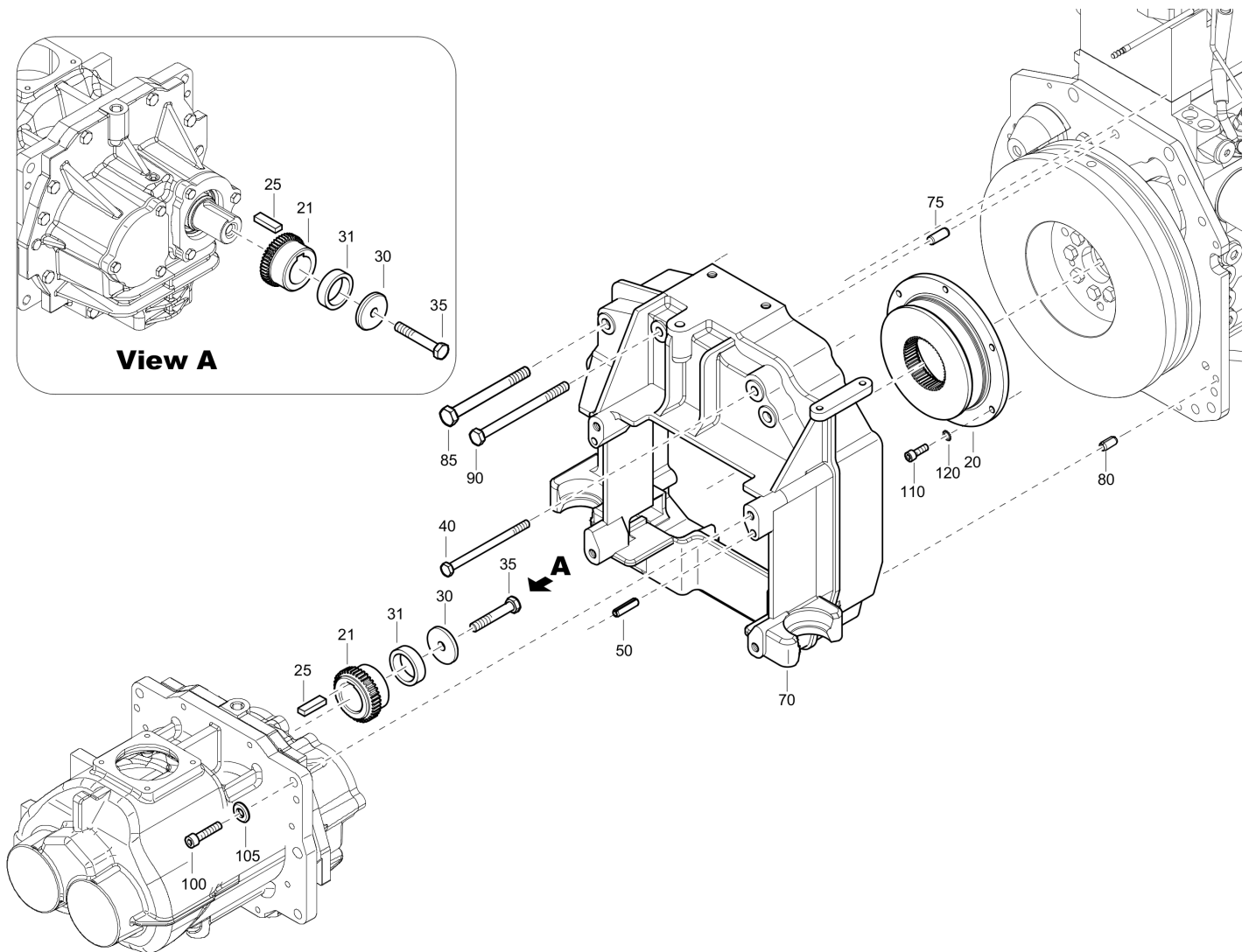
Refer to the Parts Online web page for most up-to-date information. The printed information might be outdated.

Engine 1611708614_03 No epa engine



Item	Part No.	Name	Qty	L
20	1626022300	Engine	1	

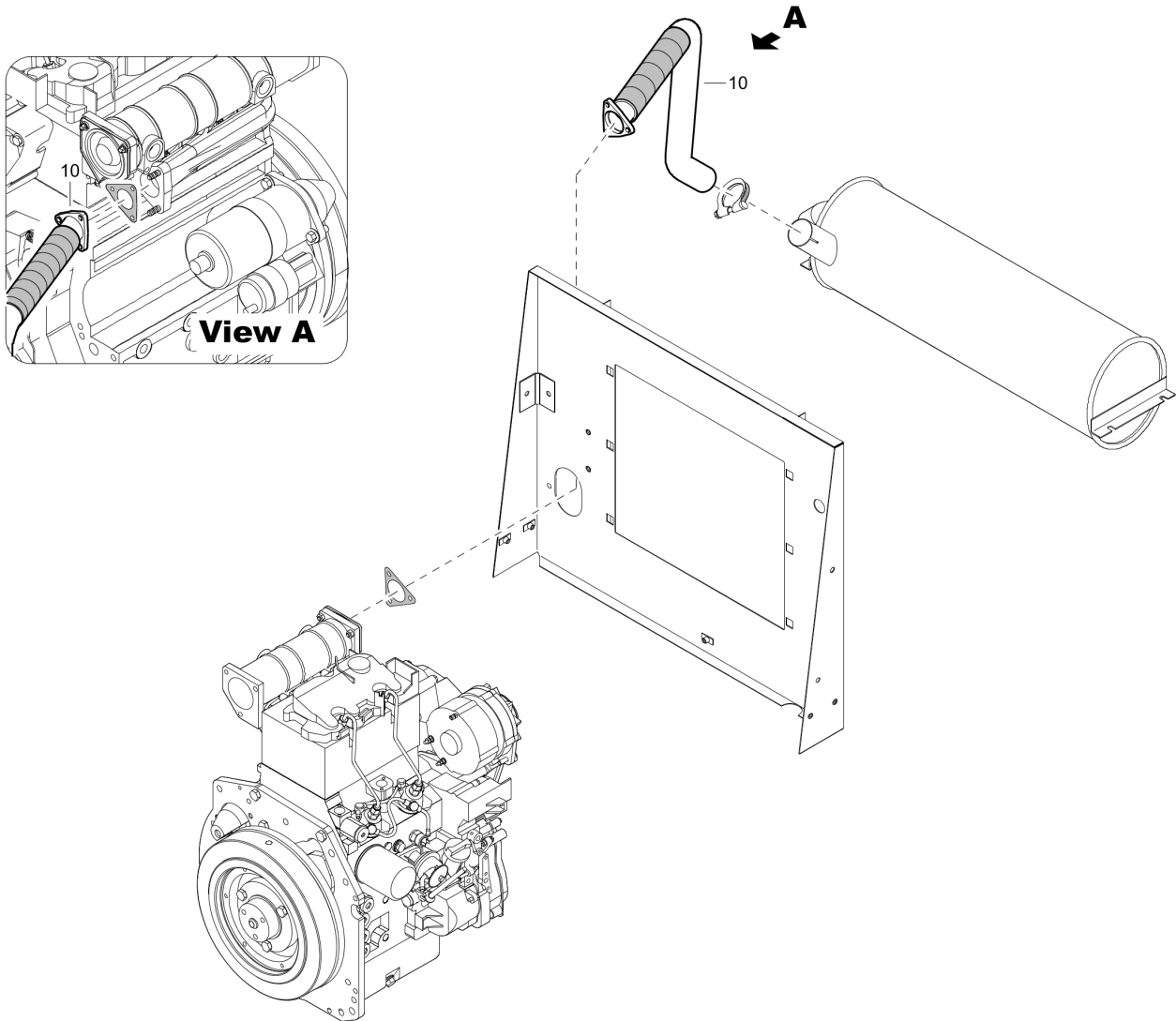
Engine 1611719029_08 Coupling - Between engine and gearcasing



Refer to the Parts Online web page for most up-to-date information. The printed information might be outdated.

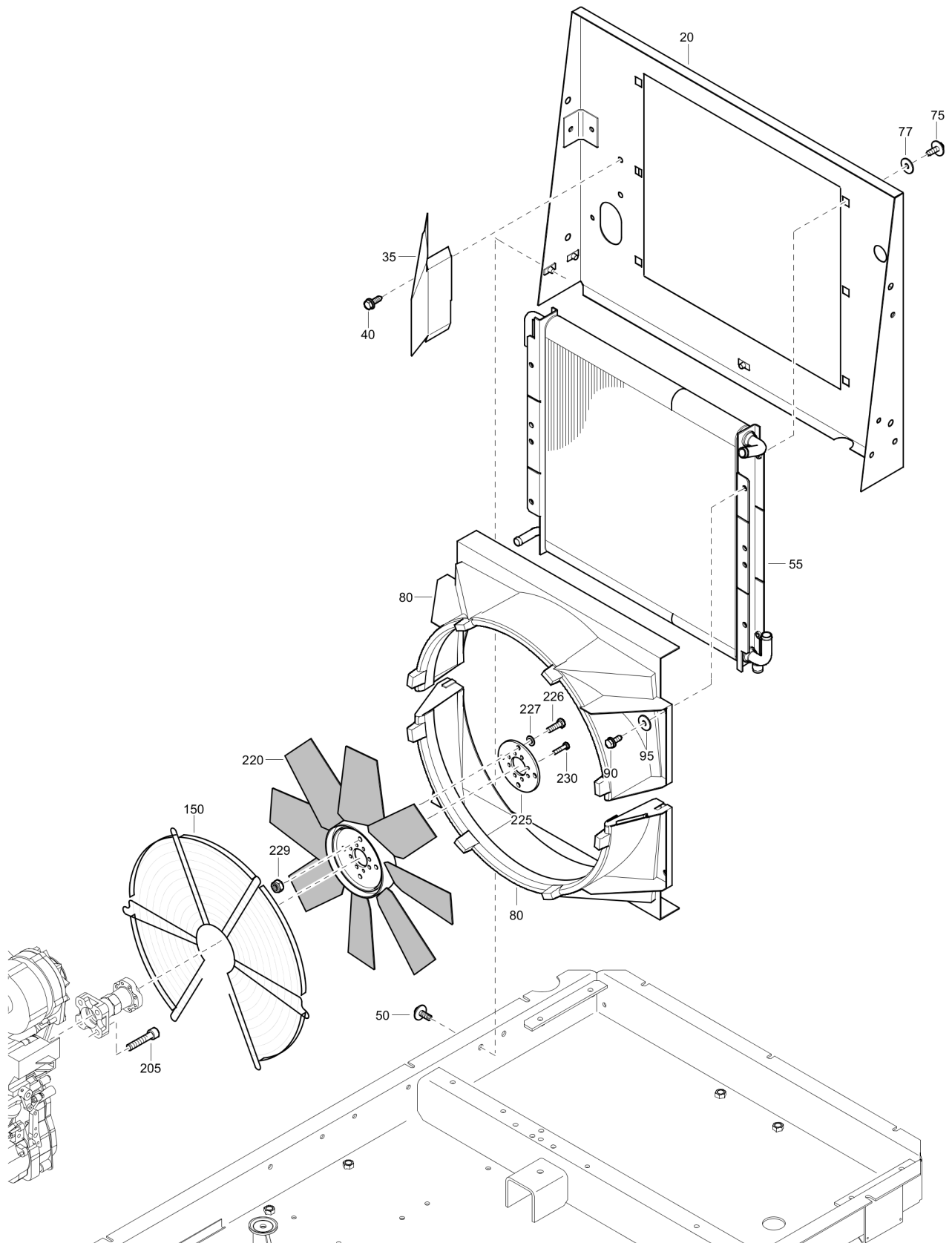
Item	Part No.	Name	Qty	L
20	1604076100	Coupling	1	
21	1604077400	Coupling (male)	1	
25	0337519600	Parallel key	1	
30	1615544100	Washer	1	
31	1604074500	Bush	1	
35	0147196271	Hex. head screw	1	
40	0147138203	Screw cap hexagon	1	
50	0108139200	Spring pin	2	
70	1615939801	Housing	1	
75	0102046000	Parallel pin	1	
80	0108341700	Spiral pin	2	
85	0147145703	Hexagon bolt	4	
90	0147142203	Hexagon head screw	2	
100	0211140400	Hexagon socket screw	4	
105	0300027492	Washer	4	
110	0211132503	Hex. Sock. Screw	6	
120	0333322700	Lock washer	6	

Engine 1611808914_00 NO ISOLATED EXHAUST



Item	Part No.	Name	Qty	L
10	1604580400	Pipe with flexible	1	

Engine 1611725314_16 COOLER AND FAN XAS97DD

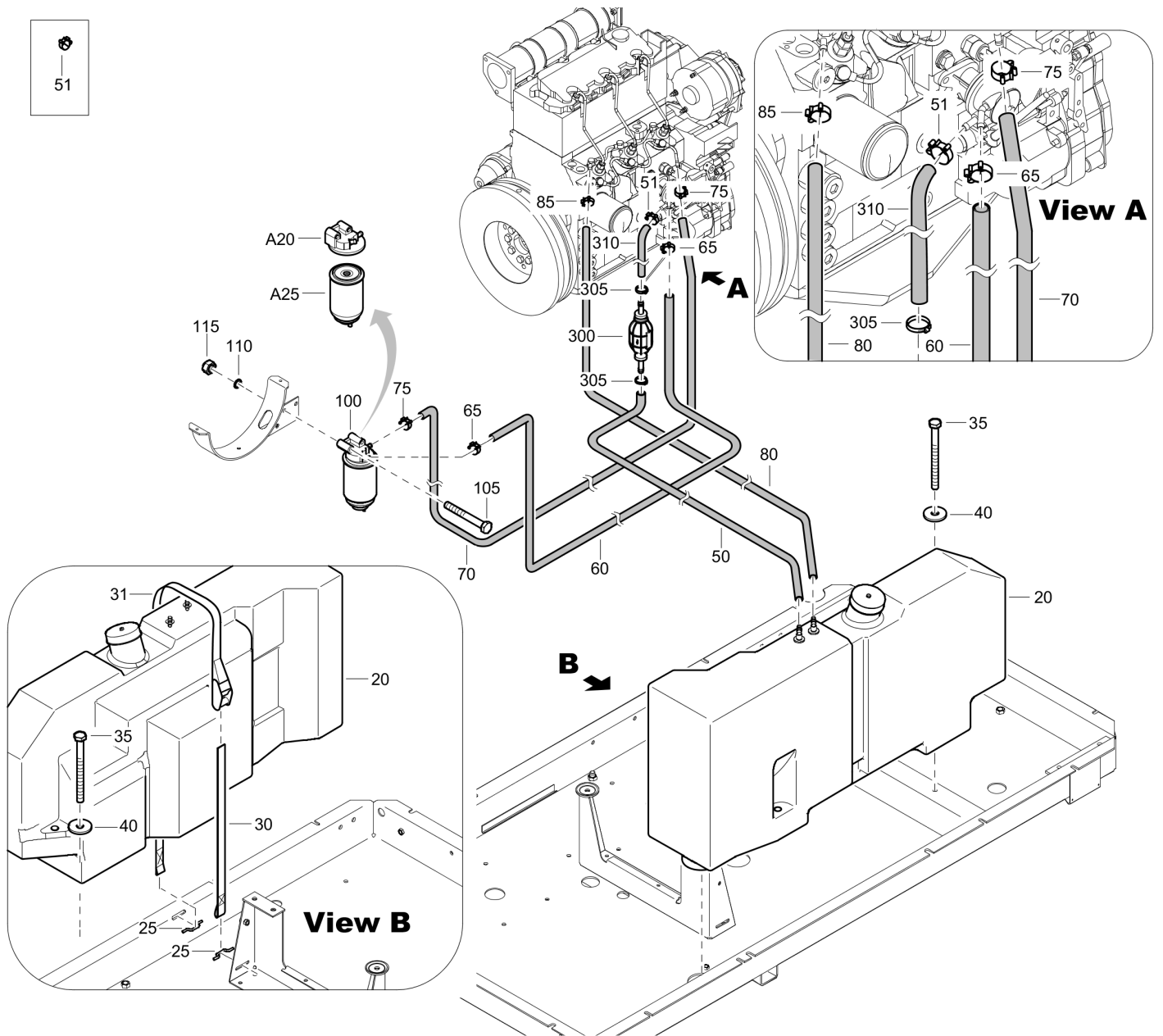


Refer to the Parts Online web page for most up-to-date information. The printed information might be outdated.

Item	Part No.	Name	Qty	L
20	1604407934	COOLER PLATE	1	
35	1604578000	Protection	1	
40	1619276600	Screw DIN933	2	
50	1604342300	Scraper bolt	4	
55	1604396902	Cooler	1	
75	1615566400	Screw type	4	
77	0300801900	Washer	4	
80	1615774902	Fan cowl	2	
90	1619276600	Screw DIN933	8	
95	0300801900	Washer	8	
150	1604409700	Grating	1	
205	0211136700	Hex sock. screw	4	
220	1604585400	Fan	1	
225	1615943300	Clamping ring	1	
226	0147132503	Hex. head screw	4	
227	0301233500	Washer DIN125	4	
229	0291111000	Locknut	4	
230	0147196402	Screw	8	

Refer to the Parts Online web page for most up-to-date information. The printed information might be outdated.

Engine 1611704214_14 Fuel system

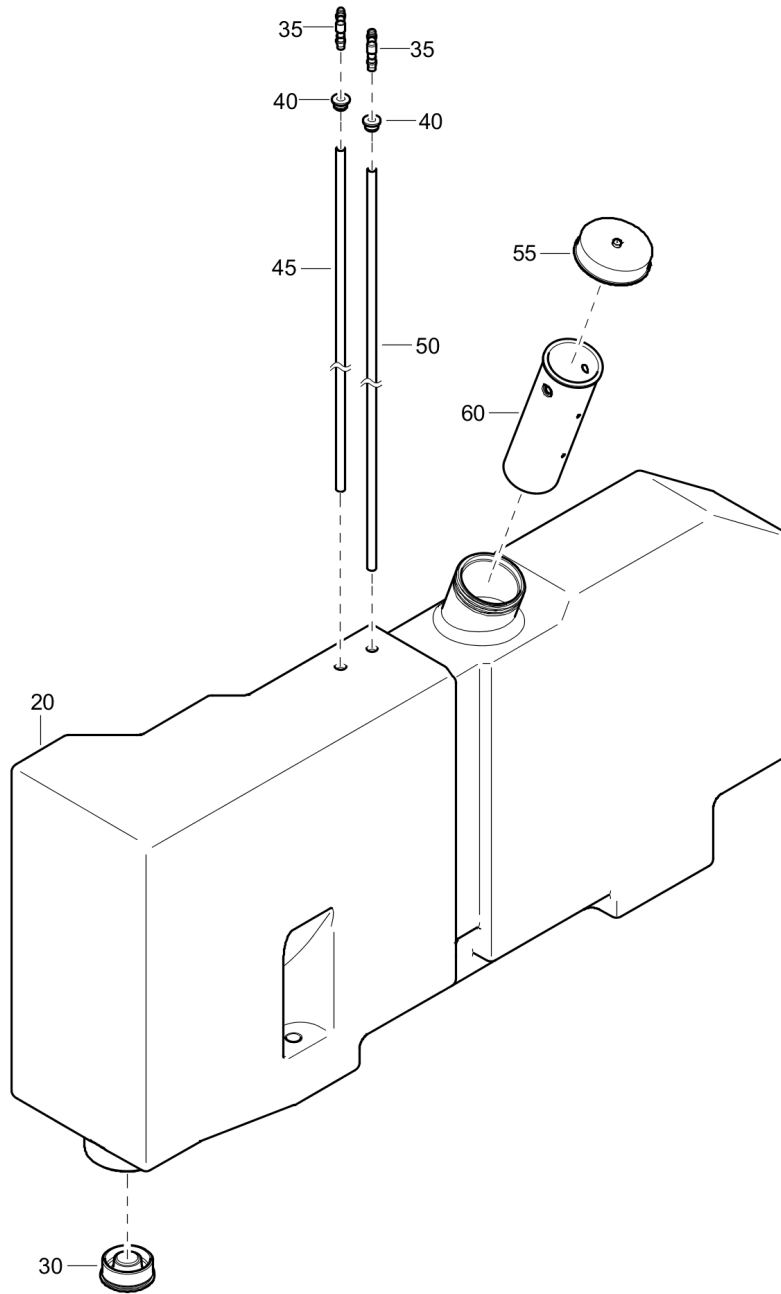


Refer to the Parts Online web page for most up-to-date information. The printed information might be outdated.

Item	Part No.	Name	Qty	L
20	1604396481	Fuel tank set	1	
25	1616461300	Retainer	2	
30	1626406800	Strap	1	
31	1616461400	Nylon band	1	
35	0147133803	Screw	1	
40	0300027621	Washer	1	
50	0071840248	Fuel hose	AR	
51	1604413700	Hose clip	2	
60	0071840248	Fuel hose	AR	
65	1604413700	Hose clip	2	
70	0071840248	Fuel hose	AR	
75	1604413700	Hose clip	2	
80	0071840248	Fuel hose	AR	
85	1604413700	Hose clip	1	
100	1615881880	Fuel filter assembly	1	
A20	1615881800	Fuelfilter housing	1	
A25	1615887500	Fuel filter	1	
105	0147133103	Hexagon head screw	2	
110	0333322700	Lock washer	2	
115	0266211000	Nut DIN934	2	
300	1604763900	Hand primer pump	1	
305	1604413700	Hose clip	2	
310	0071840248	Fuel hose	AR	

Refer to the Parts Online web page for most up-to-date information. The printed information might be outdated.

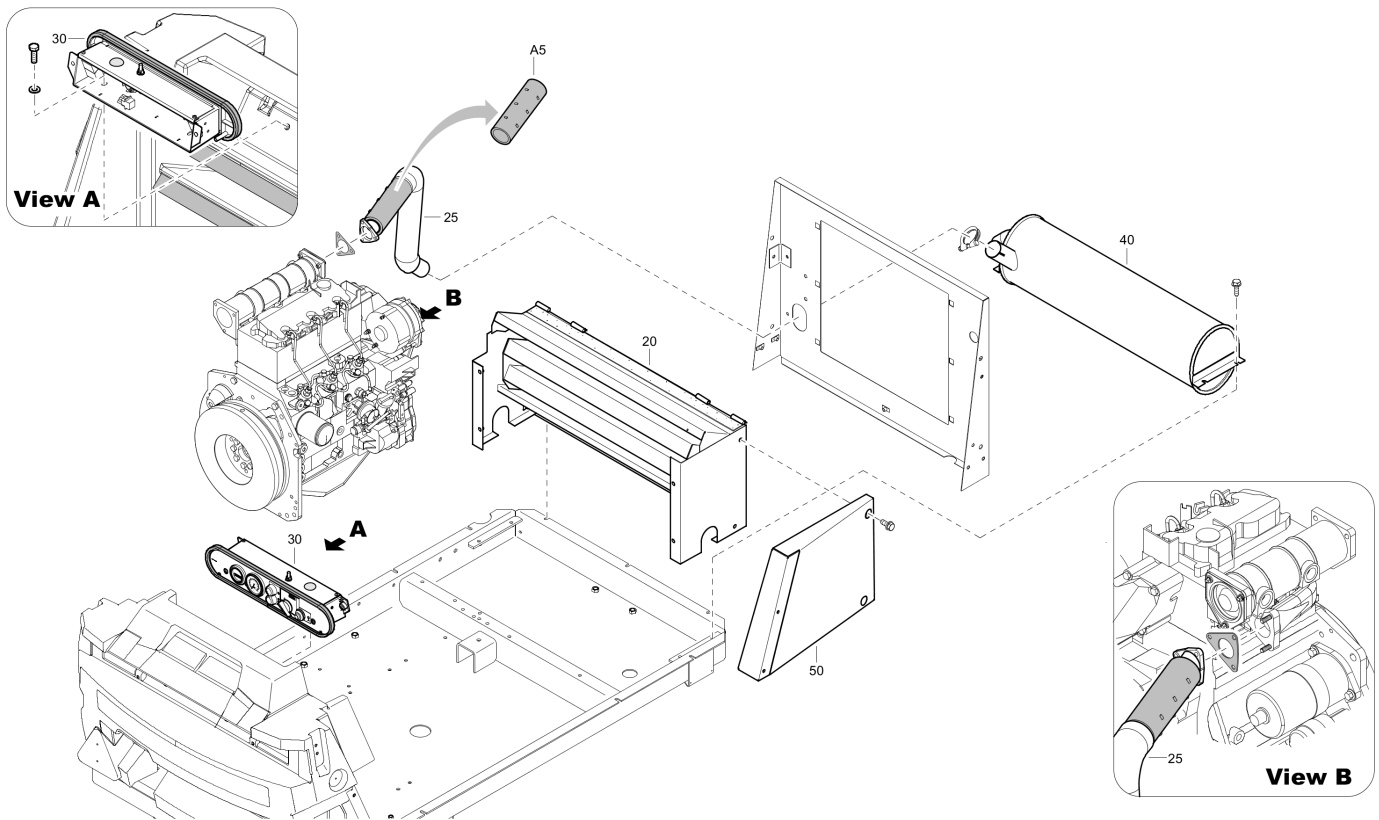
Engine 1604396481_00 Fueltank assembly



Refer to the Parts Online web page for most up-to-date information. The printed information might be outdated.

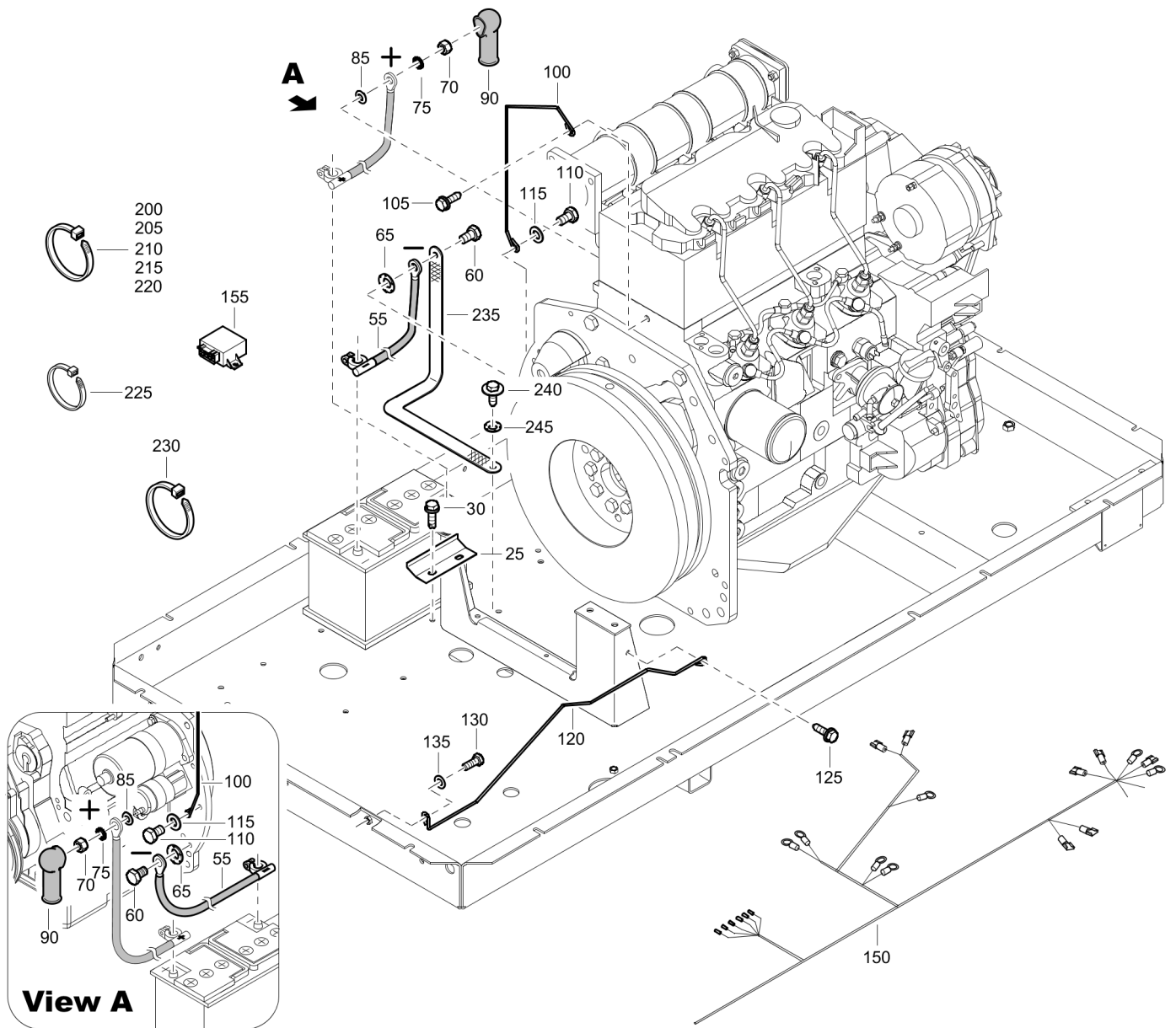
Item	Part No.	Name	Qty	L
20	1604396401	Fuel tank	1	
30	1615557700	Plug	1	
35	1615665100	Adaptor	2	
40	1615665200	Grommet	2	
45	0070600215	Plastic tube	AR	
50	0070600215	Plastic tube	AR	
55	1615765302	Cap	1	
60	1615765400	Strainer	1	

Engine 1611808214_07 NO PARTICLE FILTER 3 CYLINDER PE



Item	Part No.	Name	Qty	L
20	1604407886	Baffle assembly	1	
25	1626540281	EXHAUST	1	
30	1626180280	Control panel assy	1	
40	1604386132	Silencer	1	
50	1604717802	Panel	1	

Electrical 1611749214_11 ELECTRICAL SYSTEM

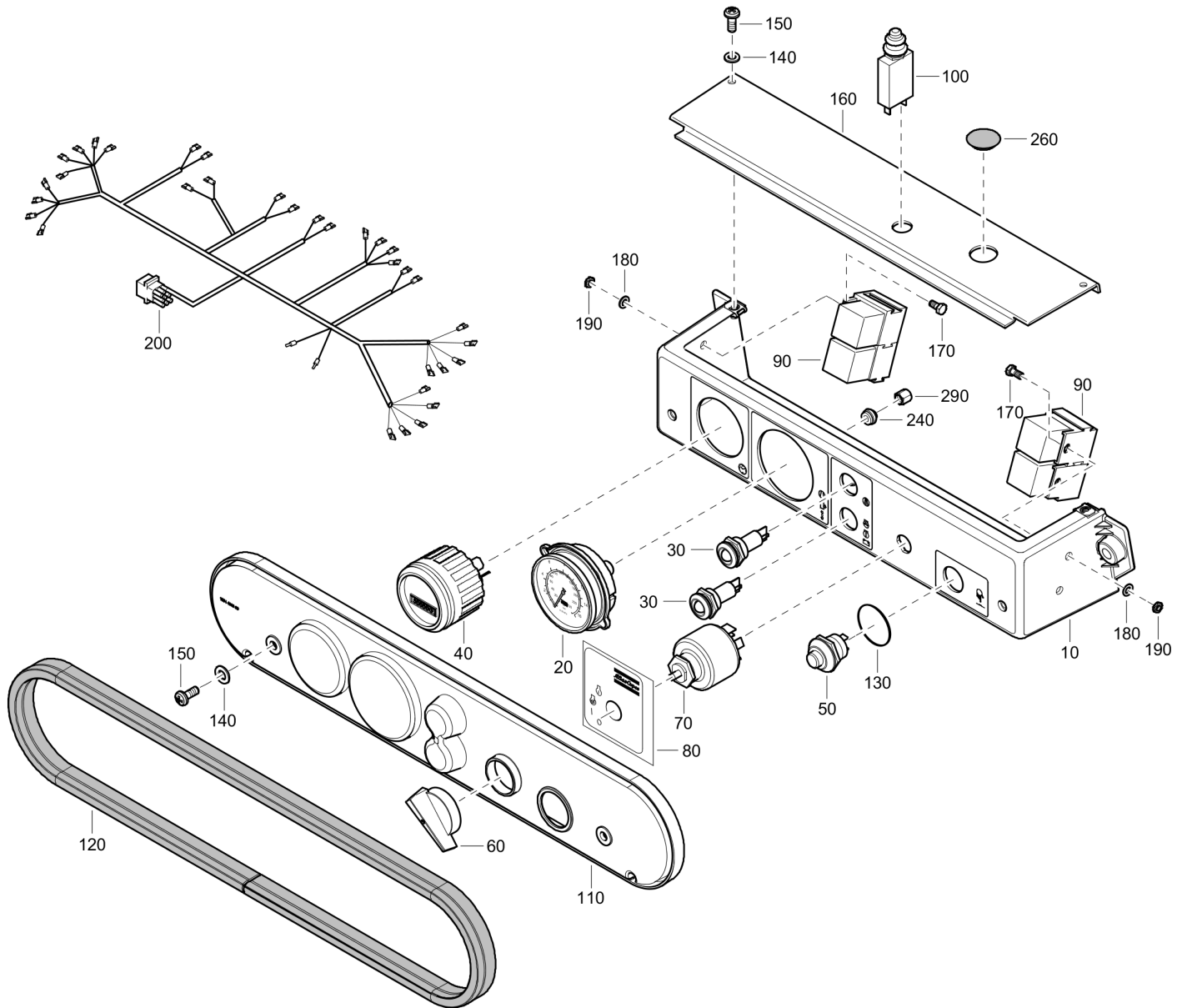


Refer to the Parts Online web page for most up-to-date information. The printed information might be outdated.

Item	Part No.	Name	Qty	L
25	1202901100	Clamp	1	
30	1619533701	Screw	2	
55	1615772601	Battery cable -	1	
60	0147135903	Hexagon bolt	1	
65	1088001902	Contact washer	1	
70	0266211000	Nut DIN934	1	
75	0333322700	Lock washer	1	
85	1088001902	Contact washer	1	
90	1619372900	Protection cap	1	
100	1604531600	Guide	1	
105	1615566400	Screw type	1	
110	0147135903	Hexagon bolt	1	
115	0301234400	Washer DIN125	1	
120	1604405802	Guide	1	
125	1615566400	Screw type	1	
130	0147132303	Screw DIN933	1	
135	0301233500	Washer DIN125	1	
150	1604406702	Wire harness	1	
155	1626550700	MODULE	1	
200	1088130102	Cable tie	4	
205	1088130102	Cable tie	4	
210	1088130102	Cable tie	3	
215	1088130102	Cable tie	3	
220	1088130102	Cable tie	2	
225	1088130104	Cable tie	2	
230	1088130105	Cable tie	4	
235	1089956205	EARTHING STRAP	1	
240	1615566400	Screw type	1	
245	1088001902	Contact washer	1	

Refer to the Parts Online web page for most up-to-date information. The printed information might be outdated.

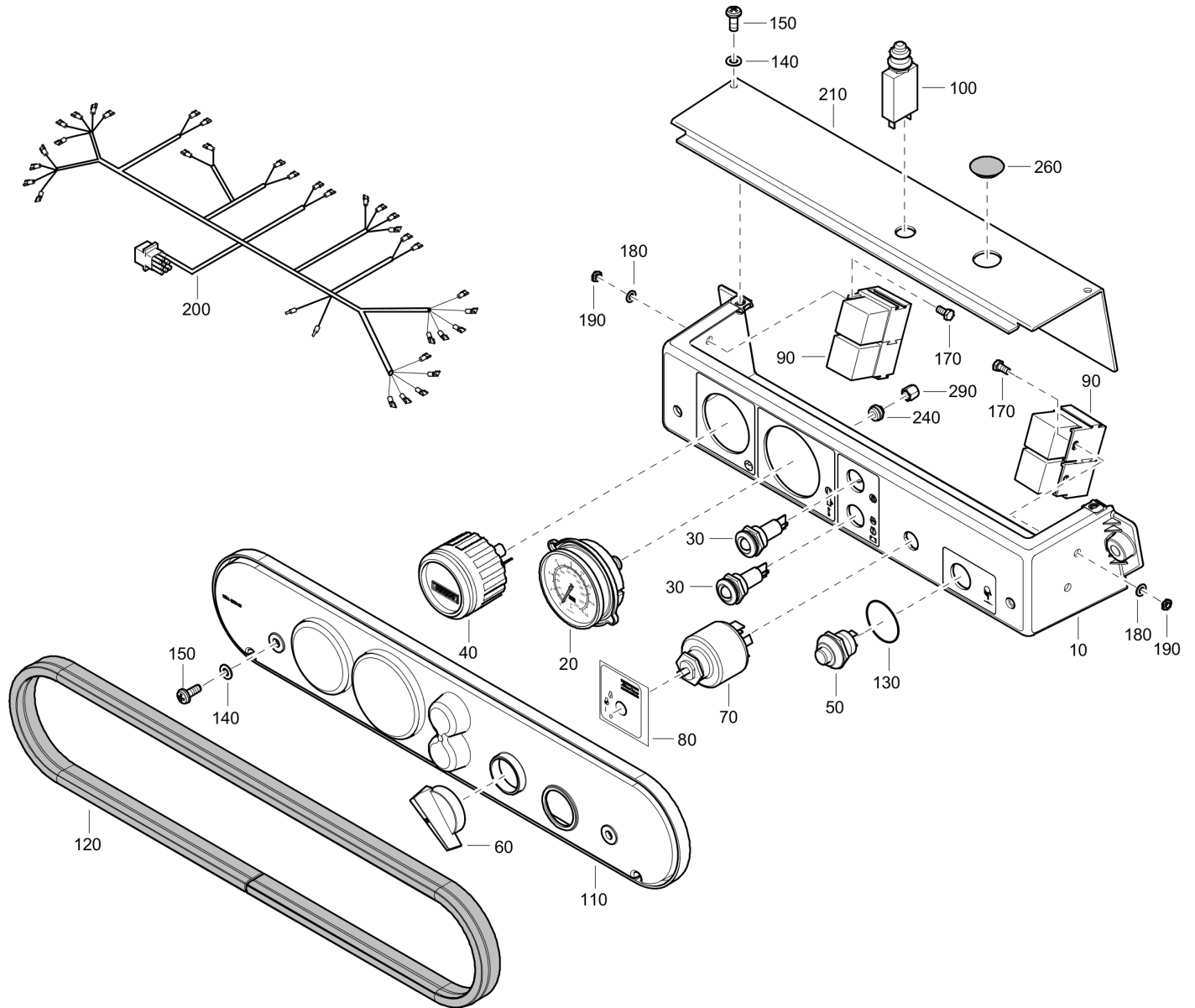
Electrical 1626168280_02 Control panel assembly



Refer to the Parts Online web page for most up-to-date information. The printed information might be outdated.

Item	Part No.	Name	Qty	L
10	1626168203	Panel	1	
20	1604401700	Pressure gauge	1	
30	1089073201	LED	2	
40	1089035202	Hour meter	1	
50	1089932601	Push button	1	
60	1089060804	Knob	1	
70	1089060803	Switch	1	
80	1626238800	Decal	1	
90	1089034107	Relay	4	
100	1089920631	Circuit breaker	1	
110	1604402800	Cover	1	
120	1202658400	Seal	AR	
130	0663909500	O-ring	1	
140	0301232100	Washer DIN9021	4	
150	0160099683	Screw	4	
160	1626168300	Cover	1	
170	0147120403	Screw DIN933	4	
180	0301231800	Washer DIN125	4	
190	0266210700	Hexagon nut	4	
200	1604406800	Wire harness	1	
240	0584008009	Ring-clamp	1	
260	0686925269	Protection plug	1	
290	0584231001	Nut-tube	1	

Electrical 1626180280_02 Control panel assembly

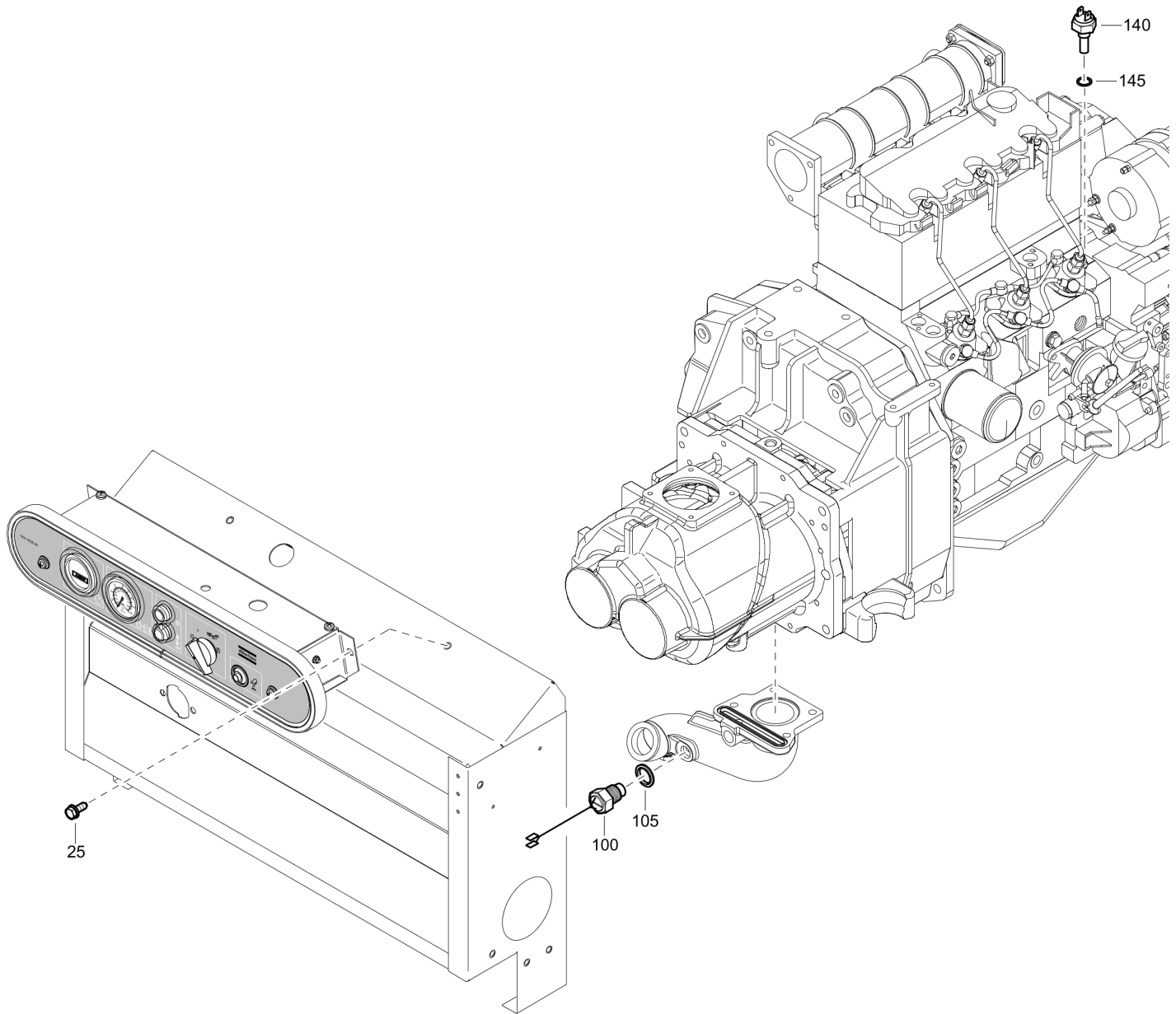


Refer to the Parts Online web page for most up-to-date information. The printed information might be outdated.

Item	Part No.	Name	Qty	L
10	1626168203	Panel	1	
20	1604401700	Pressure gauge	1	
30	1089073201	LED	2	
40	1089035202	Hour meter	1	
50	1089932601	Push button	1	
60	1089060804	Knob	1	
70	1089060803	Switch	1	
80	1626238800	Decal	1	
90	1089034107	Relay	4	
100	1089920631	Circuit breaker	1	
110	1604402800	Cover	1	
120	1202658400	Seal	AR	
130	0663909500	O-ring	1	
140	0301232100	Washer DIN9021	4	
150	0160099683	Screw	4	
170	0147120403	Screw DIN933	4	
180	0301231800	Washer DIN125	4	
190	0266210700	Hexagon nut	4	
200	1604406800	Wire harness	1	
210	1626168400	Cover	1	
240	0584008009	Ring-clamp	1	
260	0686925269	Protection plug	1	
290	0584231001	Nut-tube	1	

Refer to the Parts Online web page for most up-to-date information. The printed information might be outdated.

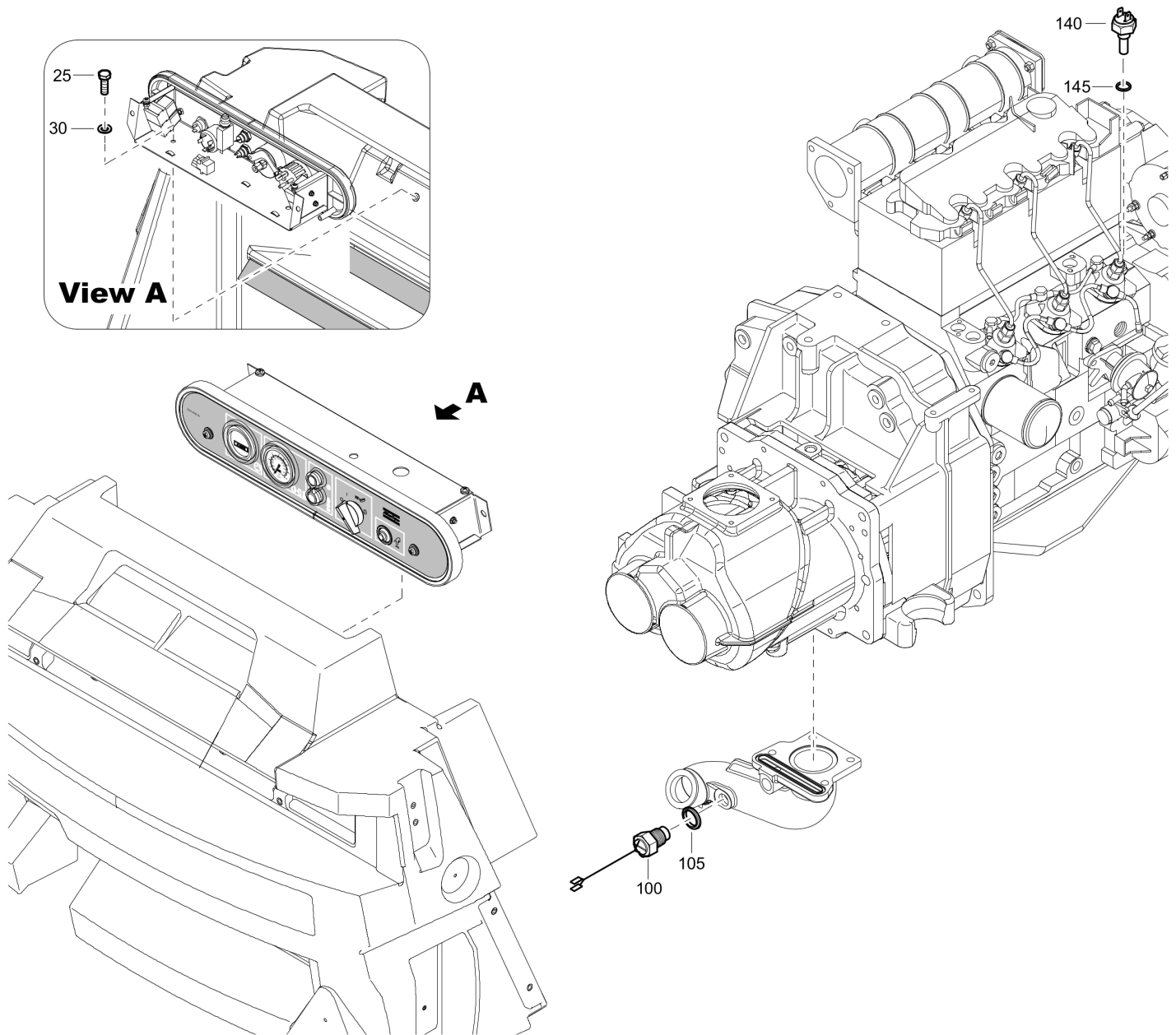
Electrical 1611746114_10 SAFETY AND CONTROL



Refer to the Parts Online web page for most up-to-date information. The printed information might be outdated.

Item	Part No.	Name	Qty	L
25	1619276600	Screw DIN933	2	
100	1089063725	Switch temp.	1	
105	0661103300	Sealing washer	1	
140	1089063728	Switch temperature	1	
145	0653107000	Gasket	2	

Electrical 1611746314_07 SAFETY AND CONTROL

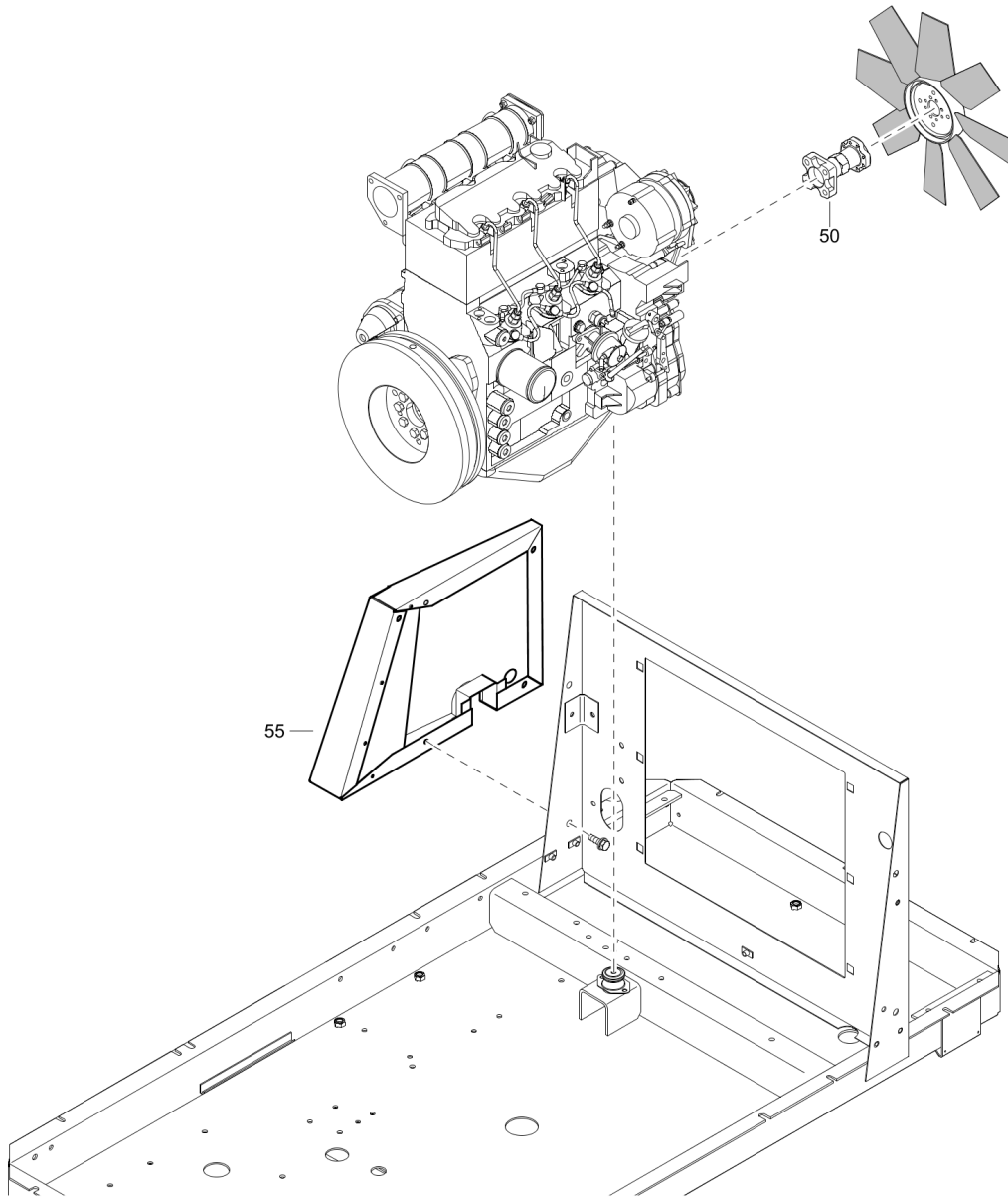


Refer to the Parts Online web page for most up-to-date information. The printed information might be outdated.

Item	Part No.	Name	Qty	L
25	0147132303	Screw DIN933	2	
30	0301233500	Washer DIN125	2	
100	1089063725	Switch temp.	1	
105	0661100027	Seal gasket	1	
140	1089063728	Switch temperature	1	
145	0653107000	Gasket	2	

Refer to the Parts Online web page for most up-to-date information. The printed information might be outdated.

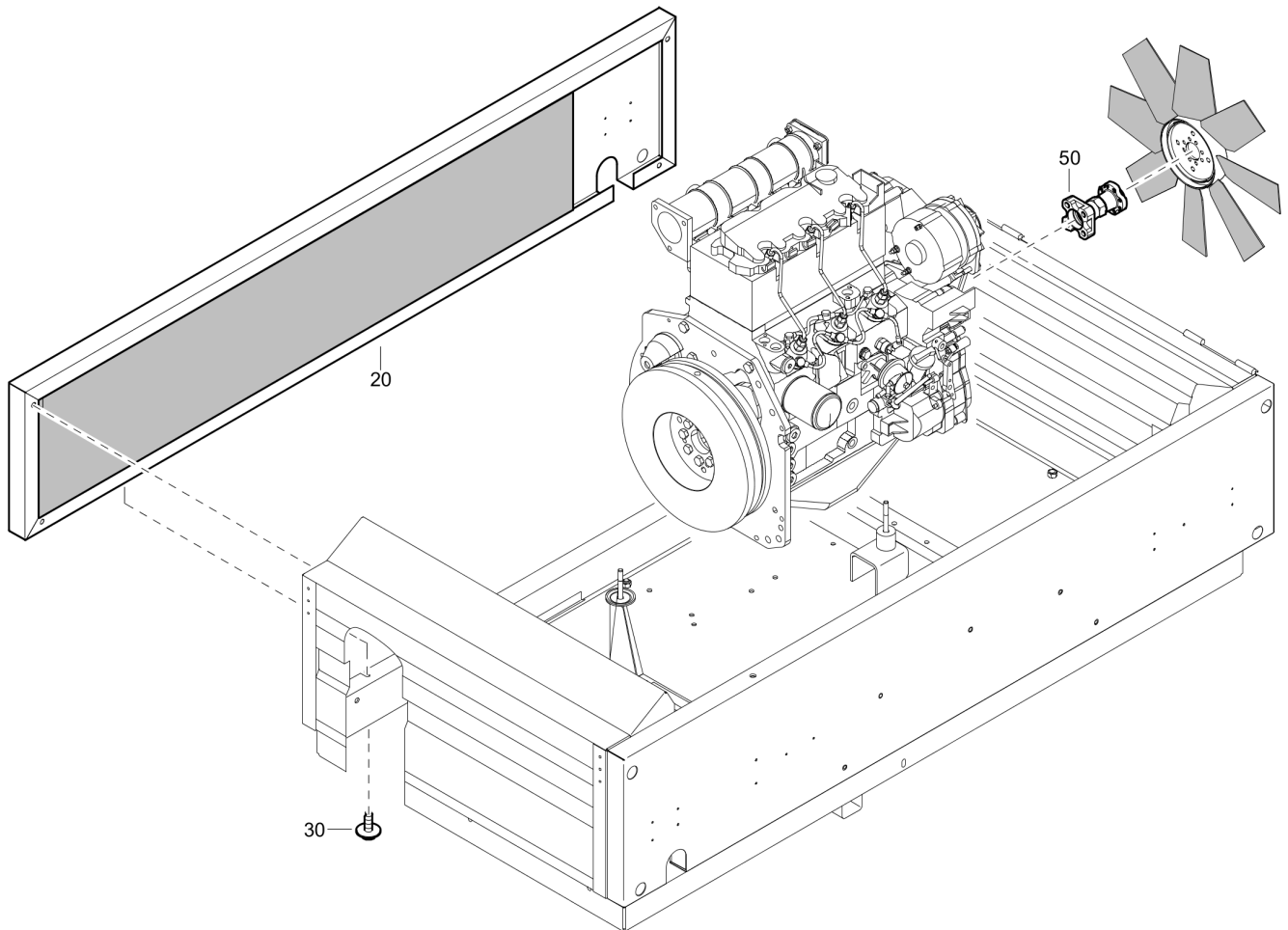
Electrical 1611872514_01 NO GENERATOR



Refer to the Parts Online web page for most up-to-date information. The printed information might be outdated.

Item	Part No.	Name	Qty	L
50	1615768900	Fan adaptor	1	
55	1604717902	Side panel	1	

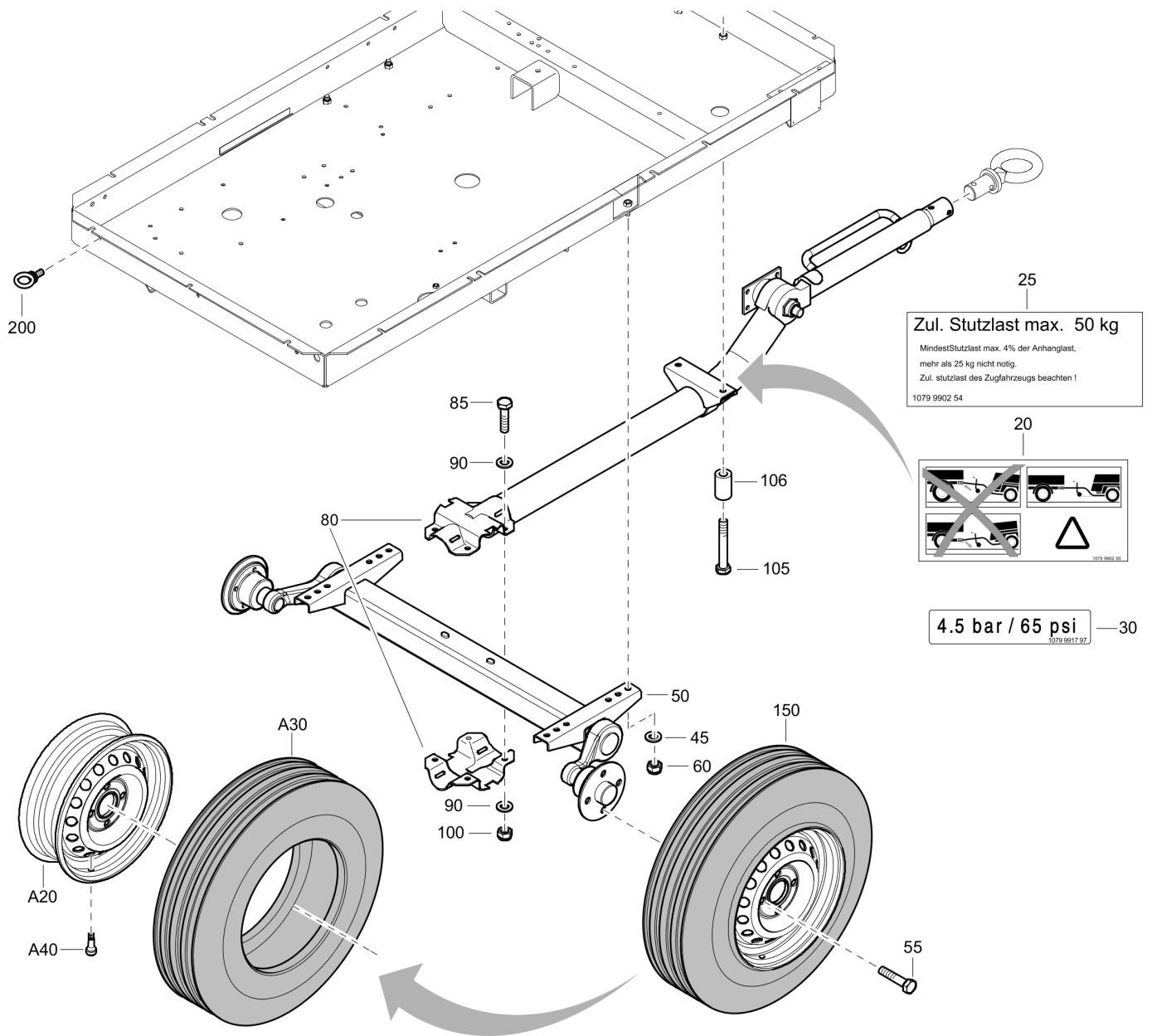
Electrical 1611876514_07 NO GENERATOR



Refer to the Parts Online web page for most up-to-date information. The printed information might be outdated.

Item	Part No.	Name	Qty	L
20	1604545682	PANEL ASSY	1	
30	1615566400	Screw type	8	
50	1615768900	Fan adaptor	1	

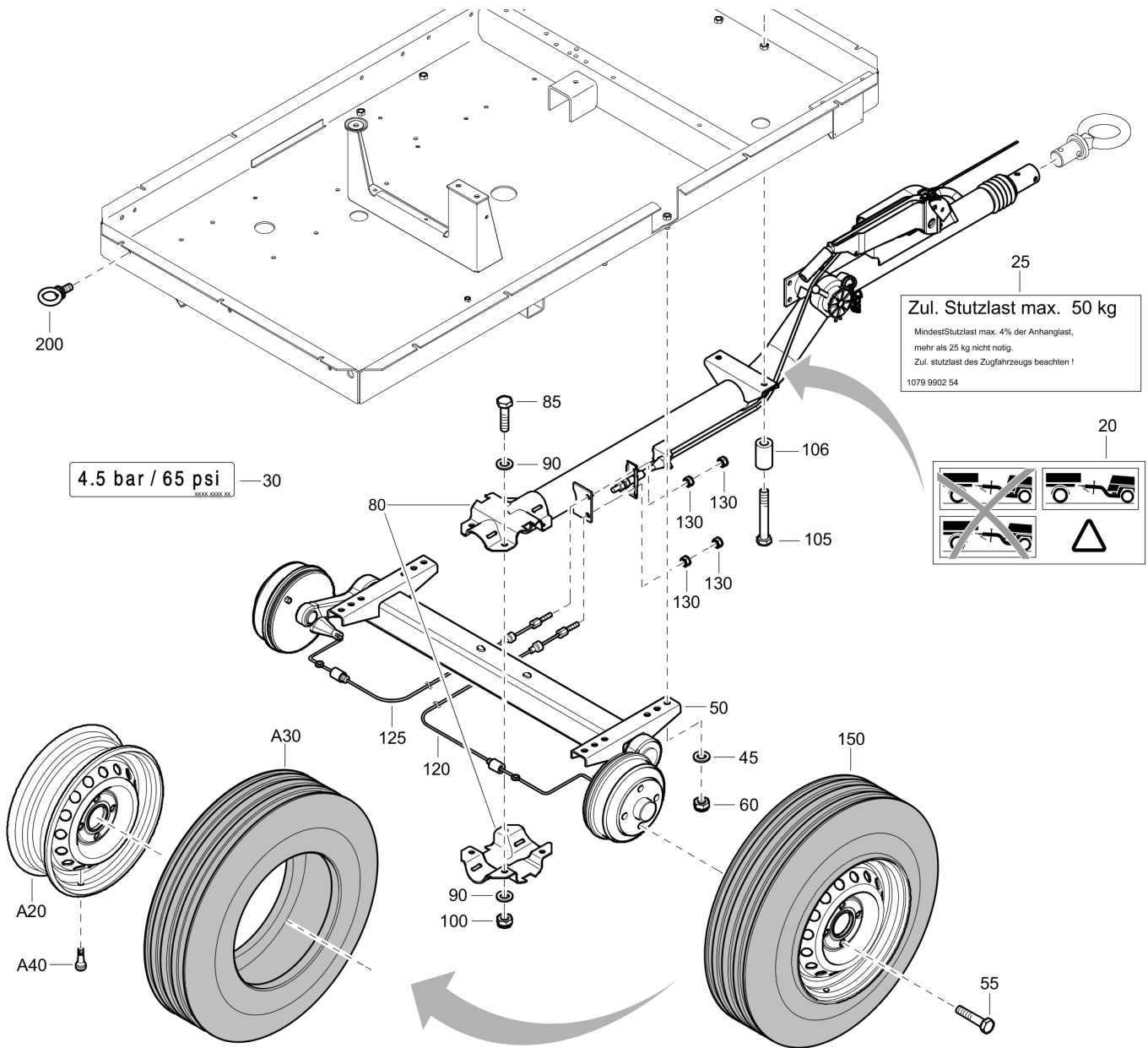
Options 1611775114_15 UNDERCARRIAGE FIXED WITHOUT BRAKES



Refer to the Parts Online web page for most up-to-date information. The printed information might be outdated.

Item	Part No.	Name	Qty	L
20	1079990200	Warning label	1	
25	1079990254	Decal	1	
30	1079991797	Label	2	
45	0301235800	Washer	4	
50	1604380200	Axle	1	
55	1626602900	Wheelbolt	8	
60	0291111200	Nut DIN985	4	
80	1604380409	Fixed no brakes	1	
85	0147140303	Hex. head screw	4	
90	0301235800	Washer	8	
100	0291111200	Nut DIN985	4	
105	0147141203	Hexagon head screw	2	
106	1615957500	Spacer	2	
150	1615961889	Tyre assembly	2	
A20	1604033300	Wheel	1	
A30	0538040021	TYRE	1	
A40	1615632200	Ventil	1	
200	0371110021	Lifting eye	2	

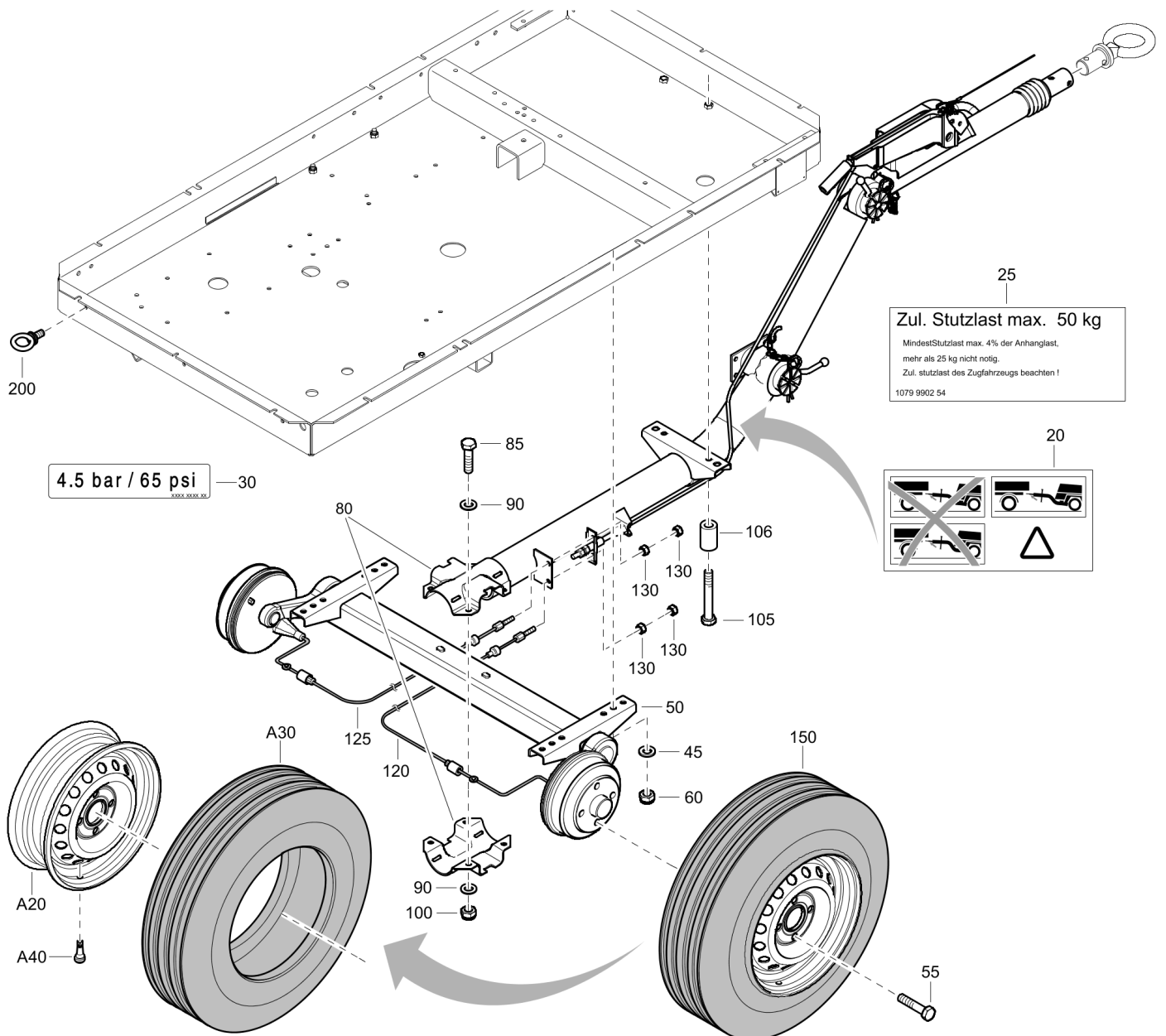
Options 1611775514_18 UNDERCARRIAGEFIXED WITH BRAKES



Refer to the Parts Online web page for most up-to-date information. The printed information might be outdated.

Item	Part No.	Name	Qty	L
20	1079990200	Warning label	1	
25	1079990254	Decal	1	
30	1079991797	Label	2	
45	0301235800	Washer	4	
50	1604380300	Axle	1	
55	1626602900	Wheelbolt	8	
60	0291111200	Nut DIN985	4	
80	1604380613	Towbar	1	
85	0147140303	Hex. head screw	4	
90	0301235800	Washer	8	
100	0291111200	Nut DIN985	4	
105	0147141203	Hexagon head screw	2	
106	1615957500	Spacer	2	
120	1615935200	Brake cable	1	
125	1615935300	Brake cable	1	
130	0266211000	Nut DIN934	4	
150	1615961889	Tyre assembly	2	
A20	1604033200	Disc wheel	1	
A30	0538040020	Tyre	1	
A40	1615632200	Ventil	1	
200	0371110021	Lifting eye	2	

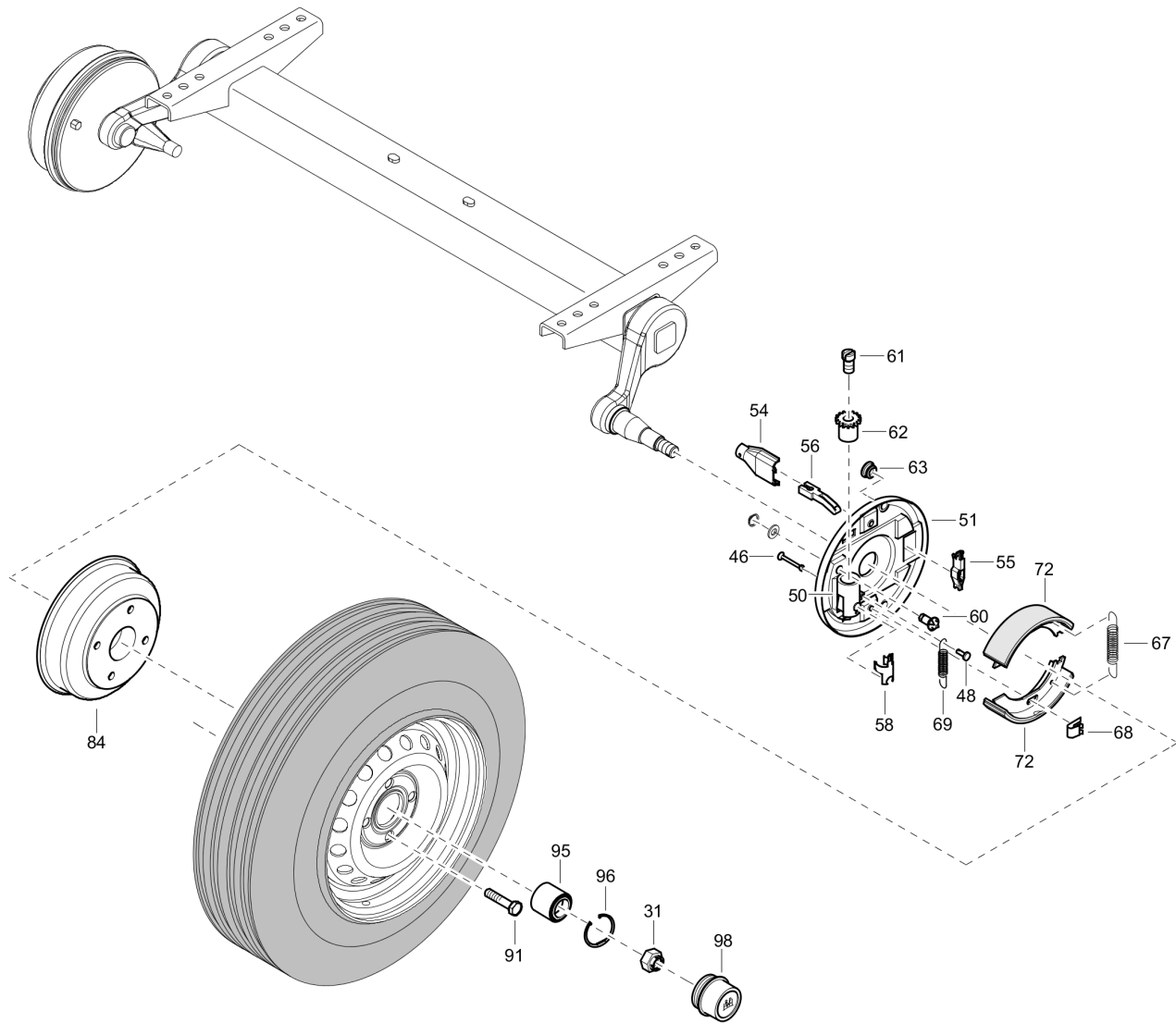
Options 1611775714_16 UNDERCARRIAGE ADJUSTABLE WITH BRAKES



Refer to the Parts Online web page for most up-to-date information. The printed information might be outdated.

Item	Part No.	Name	Qty	L
20	1079990200	Warning label	1	
25	1079990254	Decal	1	
30	1079991797	Label	2	
45	0301235800	Washer	4	
55	1626602900	Wheelbolt	8	
60	0291111200	Nut DIN985	4	
80	1604380706	Towbar	1	
85	0147140303	Hex. head screw	4	
90	0301235800	Washer	8	
100	0291111200	Nut DIN985	4	
105	0147141103	Bolt	2	
106	1615957500	Spacer	2	
120	1615935200	Brake cable	1	
125	1615935300	Brake cable	1	
130	0266211000	Nut DIN934	4	
150	1615961889	Tyre assembly	2	
A20	1604033200	Disc wheel	1	
A30	0538040020	Tyre	1	
A40	1615632200	Ventil	1	
200	0371110021	Lifting eye	2	

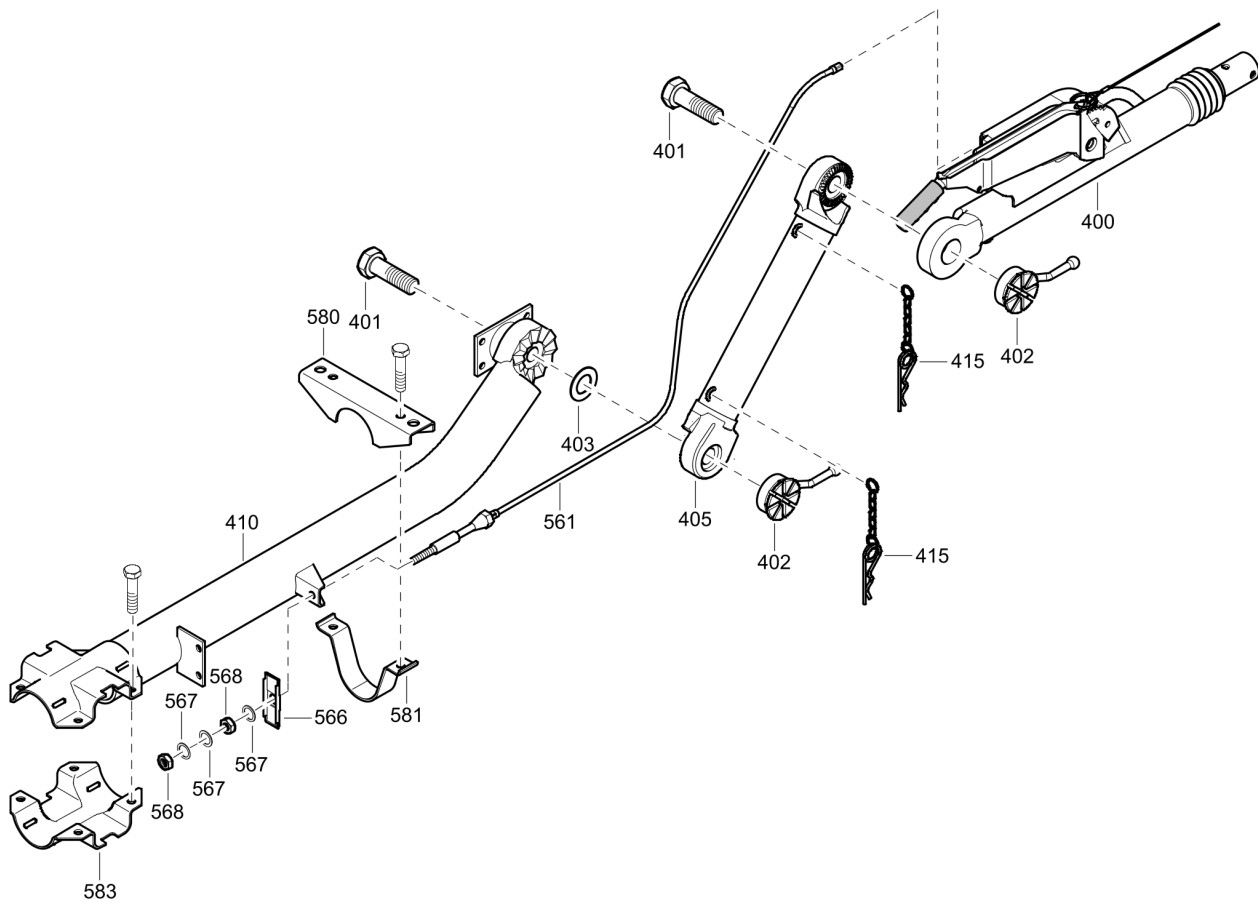
Options 1604380300_02 Axle with brakes



Refer to the Parts Online web page for most up-to-date information. The printed information might be outdated.

Item	Part No.	Name	Qty	L
31	2914037300	Nut	2	
46	2914017500	Pin	4	
48	2914037600	Bolt	2	
50	2914037700	Plate	1	
51	2914825600	Part of brake	1	
54	2914220800	Retainer	2	
55	2914018300	Clasp	2	
56	2914018400	Shackle	2	
58	2914018500	Retainer	2	
60	2914037200	Adjusting bolt	2	
61	2914018700	Screw	2	
62	2914018800	Adjusting screw	2	
63	2914019000	Bushing	2	
67	2914017600	Spring	2	
68	2914017700	Spring	4	
69	2914017800	Spring	2	
72	2914017900	Brake shoe	4	
84	2914037800	Drum	2	
91	2914011900	Bolt	8	
95	2914012900	Bearing	2	
96	2914012500	Circlips	2	
98	2914013000	Cap	2	

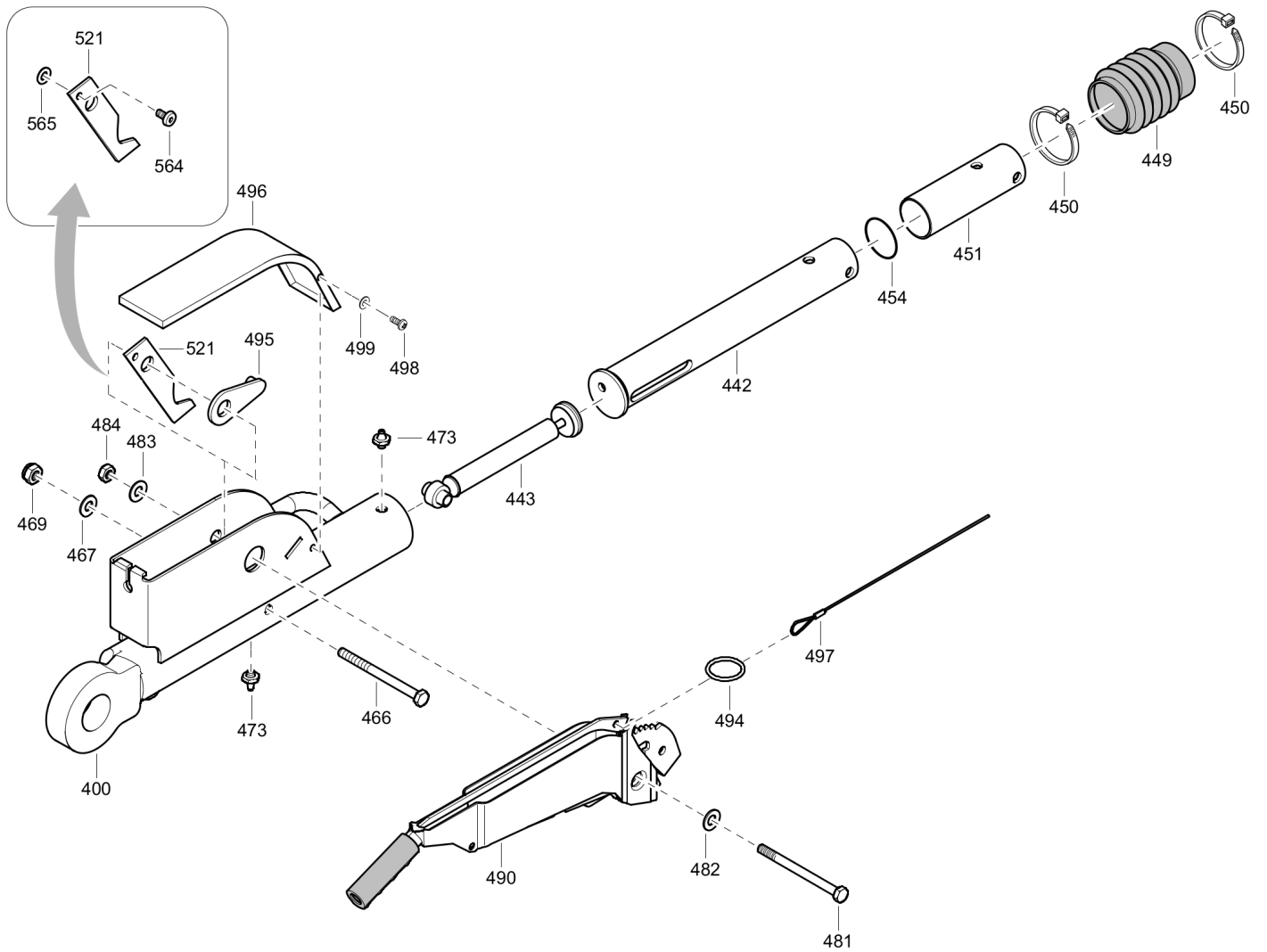
Options 1604380706_01 Front towbar with brakes



Refer to the Parts Online web page for most up-to-date information. The printed information might be outdated.

Item	Part No.	Name	Qty	L
400	2914237100	Towbar	1	
401	2914234200	Bolt	2	
402	2914228900	Tommy nut	2	
403	2914234500	Ring	1	
405	2914234600	Rod	1	
410	2914237600	Housing	1	
415	2900083600	Clip	2	
561	2914235200	Brake cable	1	
566	2914220200	Equalizer	1	
567	2914204500	Ring	3	
568	2900072900	Nut	2	
580	2914235300	Clamp	1	
581	1202896000	Clamp	1	
583	1202895300	Clamp	1	

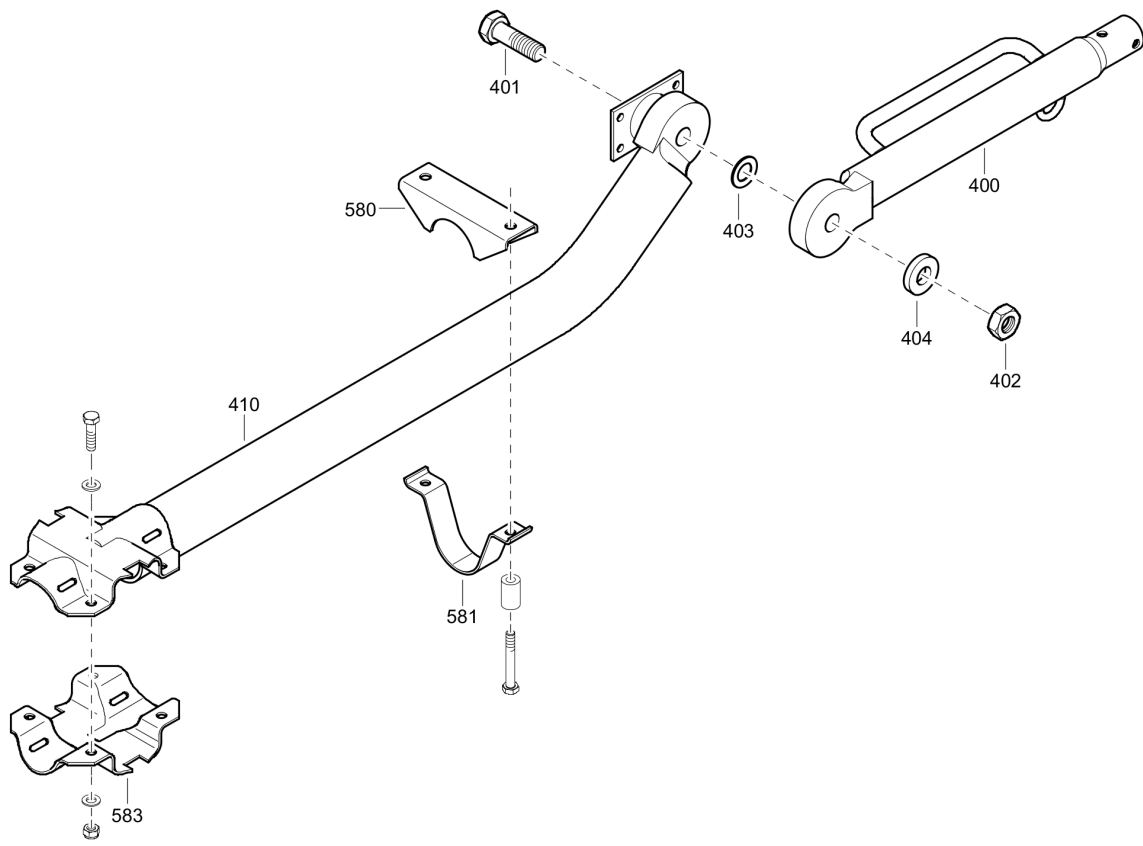
Options 2914237100_01 Front towbar with brakes



Refer to the Parts Online web page for most up-to-date information. The printed information might be outdated.

Item	Part No.	Name	Qty	L
400	2914237200	HOUSING	1	
442	1202862100	EYE HOUSING	1	
443	2914237700	ABSORBER	1	
449	2900044800	BELLOWS	1	
450	1088130103	Cable tie	2	
451	2914234800	BUSH	1	
454	1202925100	RING	1	
466	1202861900	BOLT	1	
467	0301234400	Washer DIN125	1	
469	0291111100	Nut DIN985	1	
473	0544210800	Lubricating nipple	2	
481	2914209400	Bolt	1	
482	2914219900	Washer	1	
483	2914234900	WASHER	1	
484	2914217600	Lock nut	1	
490	2914209600	Lever	1	
494	2900042400	Ring	1	
495	2914209800	LEVER	1	
496	2914213800	PLATE	1	
497	2900081400	Cable	1	
498	2914235000	Bolt	2	
499	2914235100	Washer	2	
521	2914209900	LEVER	1	
564	2914211400	Bolt	1	
565	2914211500	Clasp	1	

Options 1604380409_01 Towbar fixed without brakes

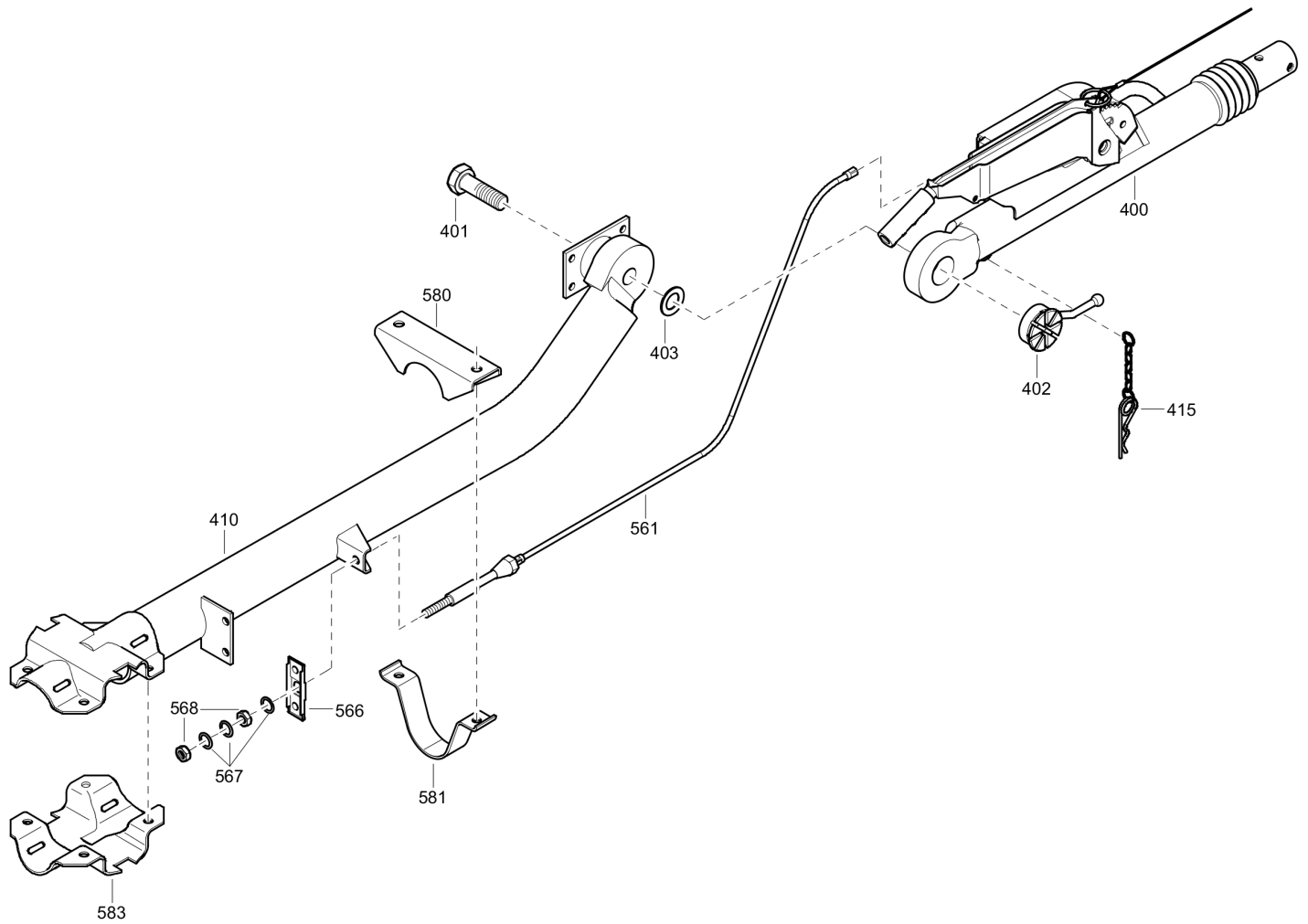


Refer to the Parts Online web page for most up-to-date information. The printed information might be outdated.

Item	Part No.	Name	Qty	L
400	2914235900	HOUSING	1	
401	2914234200	Bolt	1	
402	2914228900	Tommy nut	1	
403	2914234500	Ring	1	
404	2900083600	Clip	1	
410	2914237500	TOWBAR	1	
580	2914236100	CLAMP	1	
581	2914235700	Clamp	1	
583	2914236300	CLAMP	1	

Refer to the Parts Online web page for most up-to-date information. The printed information might be outdated.

Options 1604380613_01 Towbar fixed with brakes

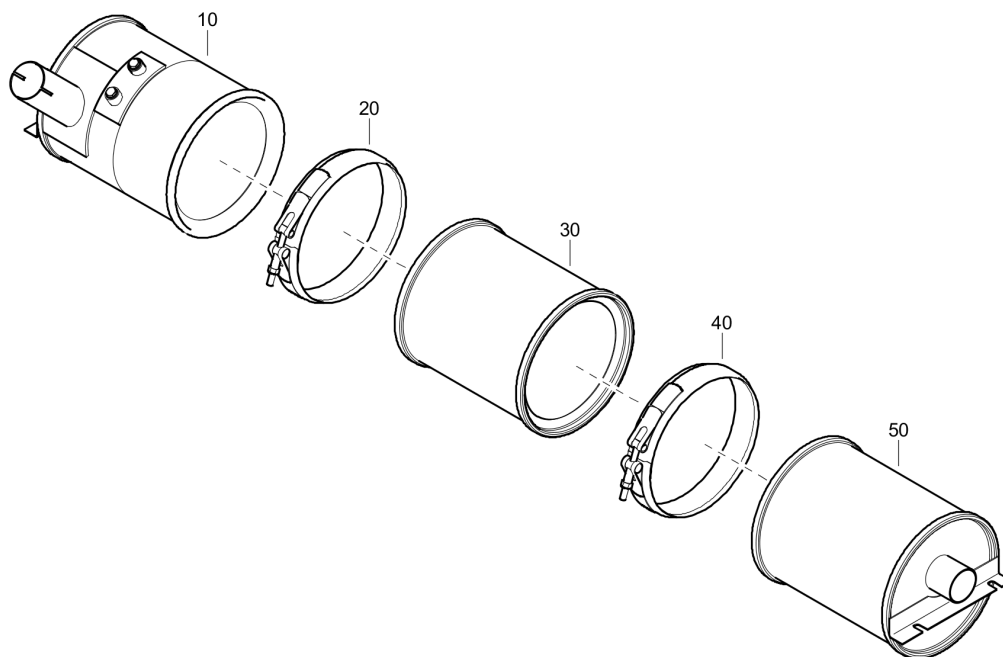


Refer to the Parts Online web page for most up-to-date information. The printed information might be outdated.

Item	Part No.	Name	Qty	L
400	2914237100	Towbar	1	
401	2914234200	Bolt	1	
402	2914228900	Tommy nut	1	
403	2914234500	Ring	1	
410	2914237300	Towbar	1	
415	2900083600	Clip	1	
561	2914235500	Brake cable	1	
566	2914220200	Equalizer	1	
567	2914204500	Ring	3	
568	2900072900	Nut	2	
580	2914235600	Clamp	1	
581	2914235700	Clamp	1	
583	2914235800	Clamp	1	

Refer to the Parts Online web page for most up-to-date information. The printed information might be outdated.

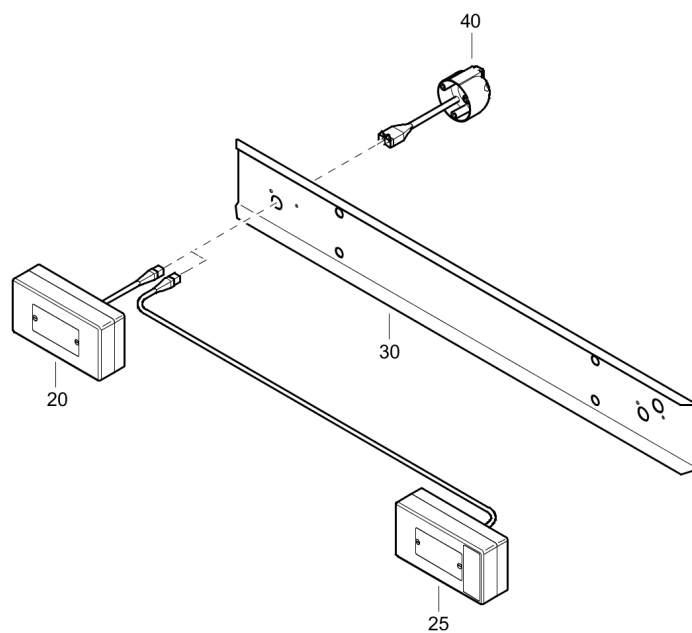
Options 1604580102_00 Particle filterwith catalyst



Item	Part No.	Name	Qty	L
10	1604580166	EXHAUST INLET + DOC CATALYST	1	
20	1604580139	EXHAUST CLAMP DPF	1	
30	1604580152	PART. FILTER ELEMENT	1	
40	1604580139	EXHAUST CLAMP DPF	1	
50	1604580157	EXHAUST OUTLET ELEMENT	1	

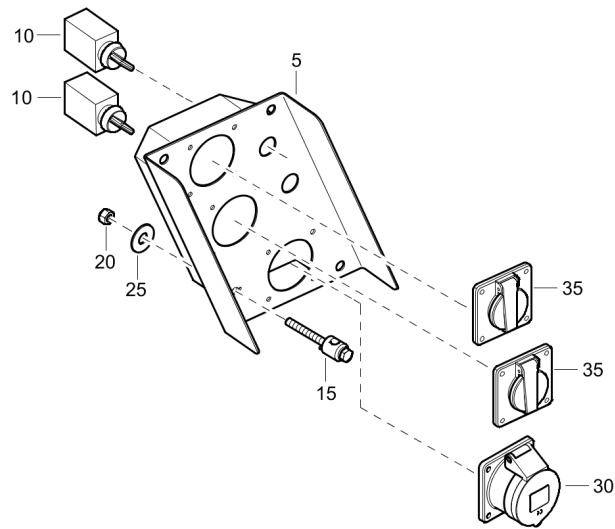
Refer to the Parts Online web page for most up-to-date information. The printed information might be outdated.

Options 1604626282_00 BUMPER ASSEMBLY



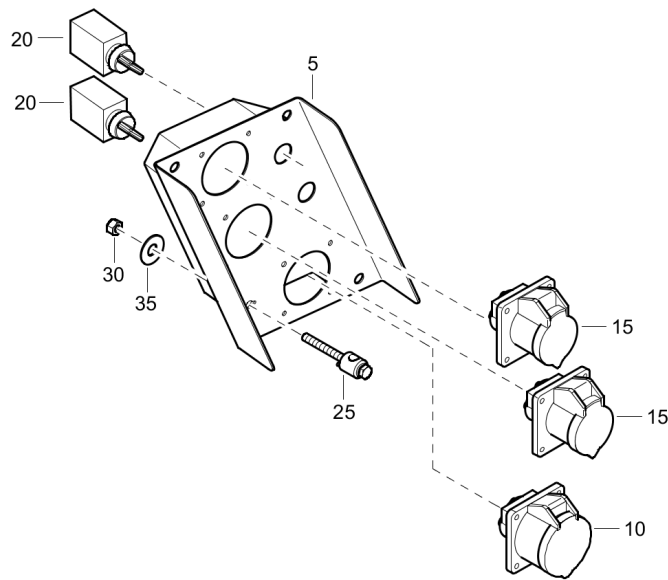
Item	Part No.	Name	Qty	L
20	1626349300	LIGHT ASSY LEFT	1	
25	1604735801	LIGHT ASSY RIGHT	1	
30	1604626201	PLATE	1	
40	1626349700	Front cable	1	

Options 1626271881_01 OUTLET SOCKETS 6.5 KVA



Item	Part No.	Name	Qty	L
5	1626227400	OUTLET SOCKETS	1	
10	1089026346	Knob	2	
15	1615728000	Terminal	1	
20	0266211000	Nut DIN934	1	
25	0300027411	Washer	1	
30	1089066212	Socket outlet	1	
35	1089066201	Socket outlet	2	

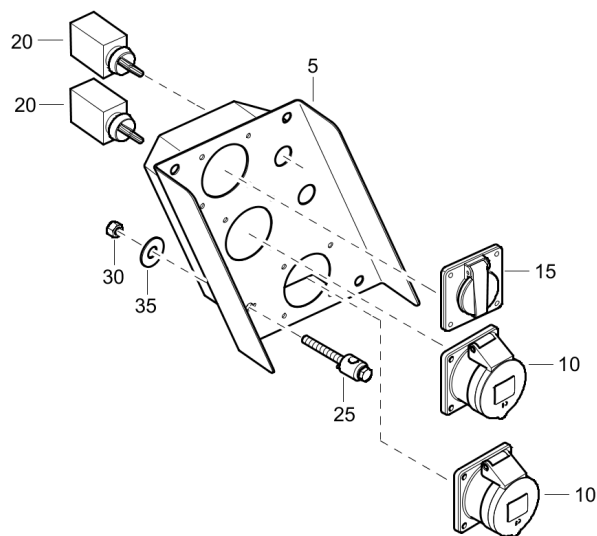
Options 1626271981_01 OUTLET SOCKETS 6KVA 55/110V



Item	Part No.	Name	Qty	L
5	1626227400	OUTLET SOCKETS	1	
10	1089066215	Socket outlet	1	
15	1089066214	Socket outlet	2	
20	1089026346	Knob	2	
25	1615728000	Terminal	1	
30	0266211000	Nut DIN934	1	
35	0300027411	Washer	1	

Refer to the Parts Online web page for most up-to-date information. The printed information might be outdated.

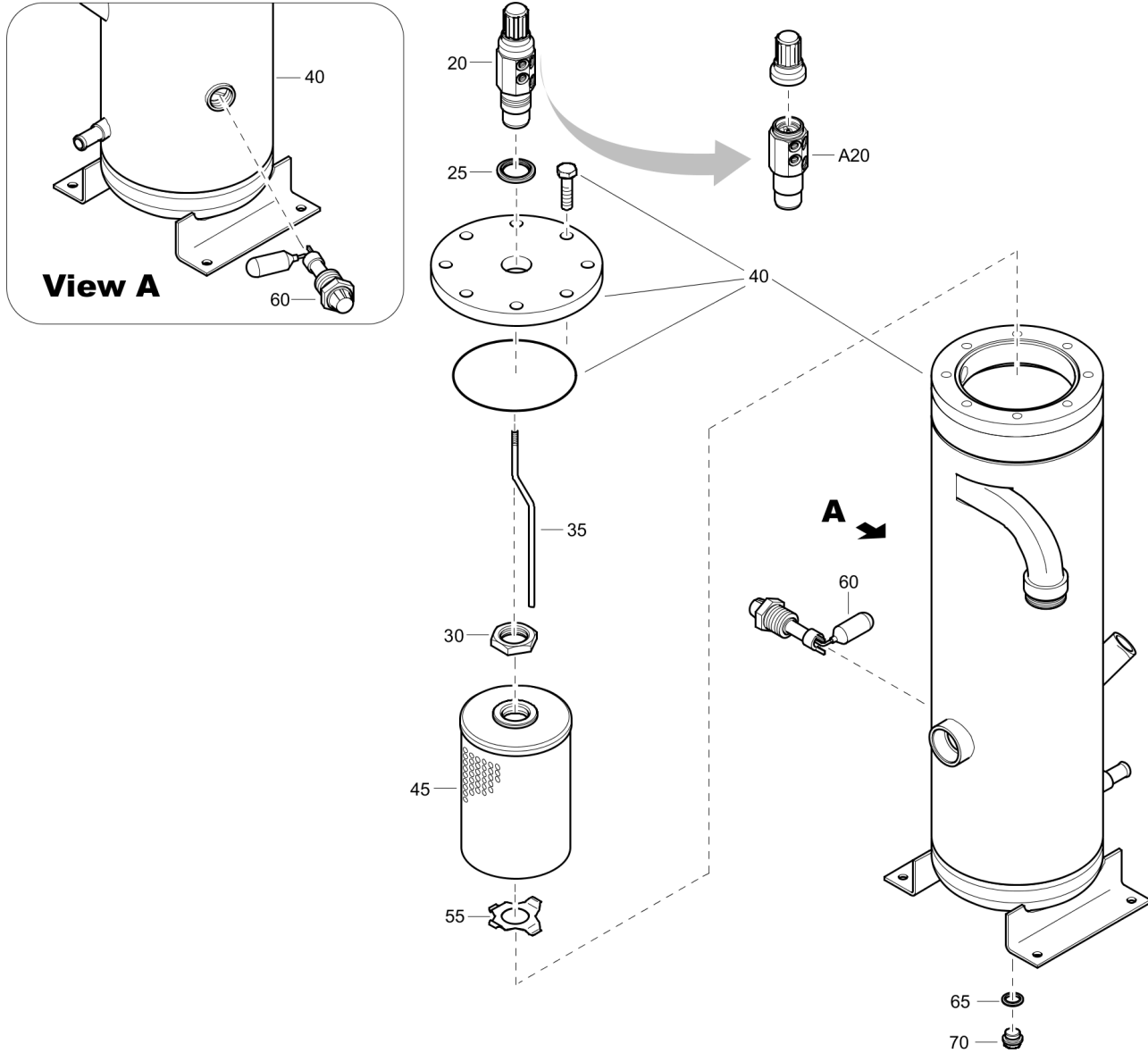
Options 1626251781_01 OUTLET SOCKETS 12 KVA, 230/400V



Item	Part No.	Name	Qty	L
5	1626227400	OUTLET SOCKETS	1	
10	1089066212	Socket outlet	2	
15	1089066201	Socket outlet	1	
20	1089026346	Knob	2	
25	1615728000	Terminal	1	
30	0266211000	Nut DIN934	1	
35	0300027411	Washer	1	

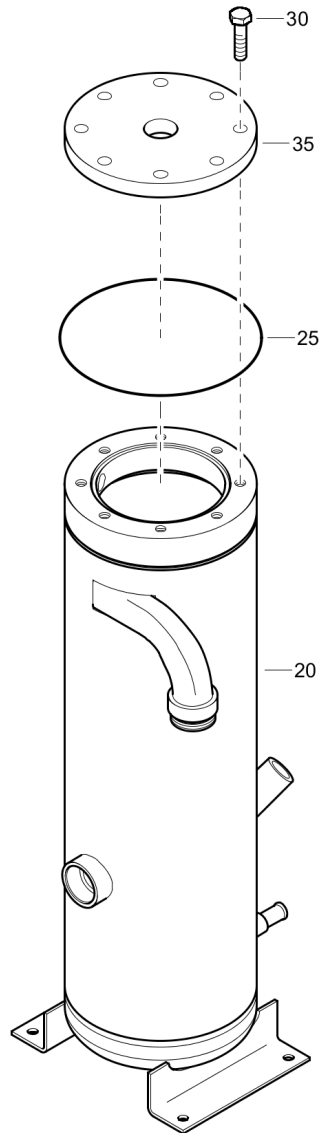
Refer to the Parts Online web page for most up-to-date information. The printed information might be outdated.

Options 1626677180_01 VESSEL MOM



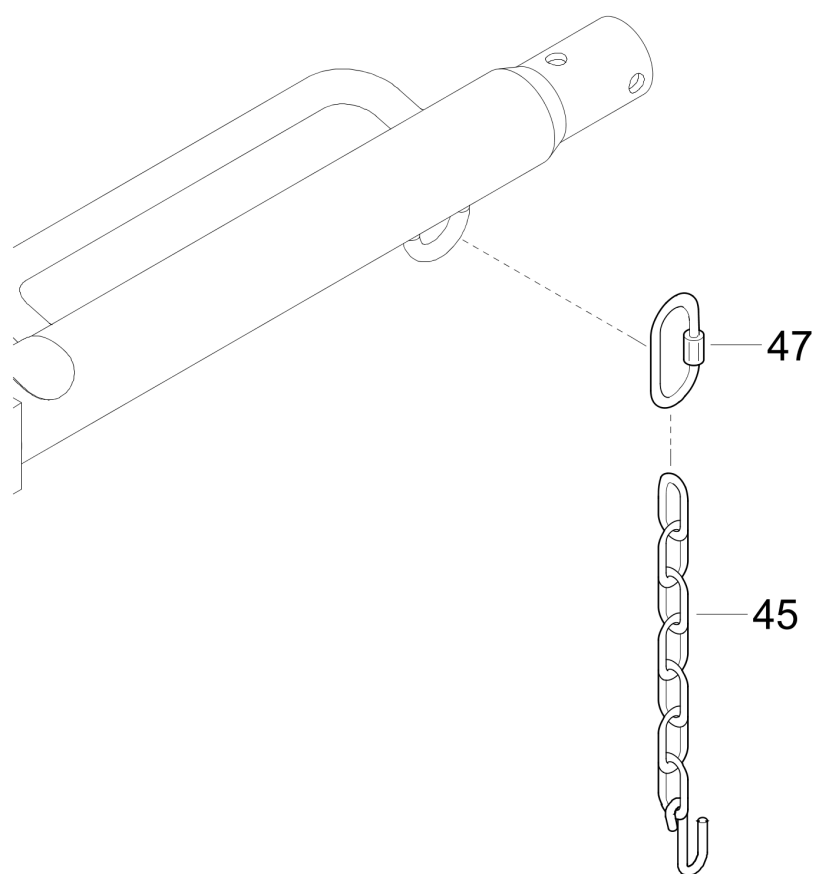
Item	Part No.	Name	Qty	L
20	1615766480	Regulating valve assembly	1	
A20	1615766500	Housing	1	
25	0661104900	Sealing washer	1	
30	0623210603	Backnut	1	
35	1615943700	Tube	1	
40	1626677100	VESSEL MOM	1	
45	1615943680	Oil separator assembly	1	
B20	1615769500	Seal	2	
B30	1615943601	Oil separator element	1	
55	1615769702	Retainer	1	
60	1616510800	Level gauge	1	
65	0661102600	Seal washer	1	
70	0686420300	Plug	1	

Options 1626677100_00 VESSEL MOM



Item	Part No.	Name	Qty	L
20	1604574931	VESSEL ASME/EC	1	
25	0663715100	O-ring	1	
30	0147140303	Hex. head screw	8	
35	1615769300	Cover	1	

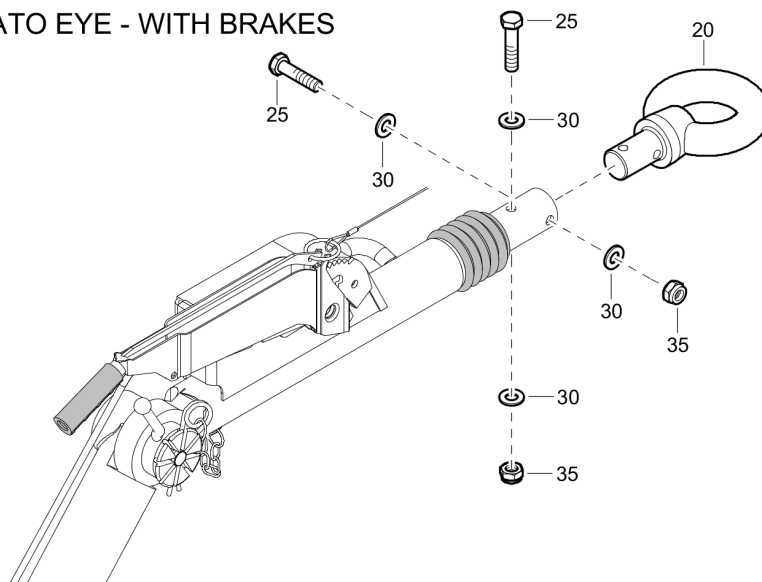
Options 1611772214_00 Safety chain USA



Item	Part No.	Name	Qty	L
45	1615973100	SAFETY CHAIN	2	
47	1604157201	QUICK COUPLING	1	

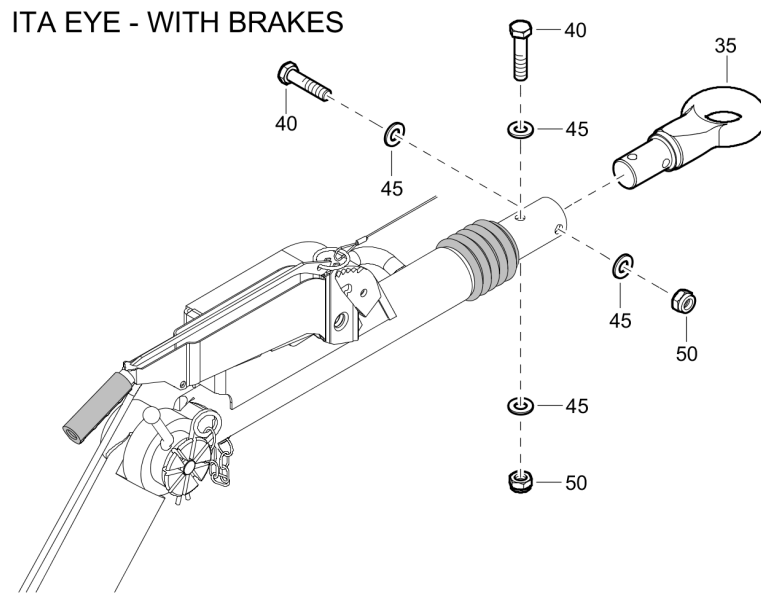
Options 1611770712_01 Towing eyes - Nato eye - With brakes

NATO EYE - WITH BRAKES



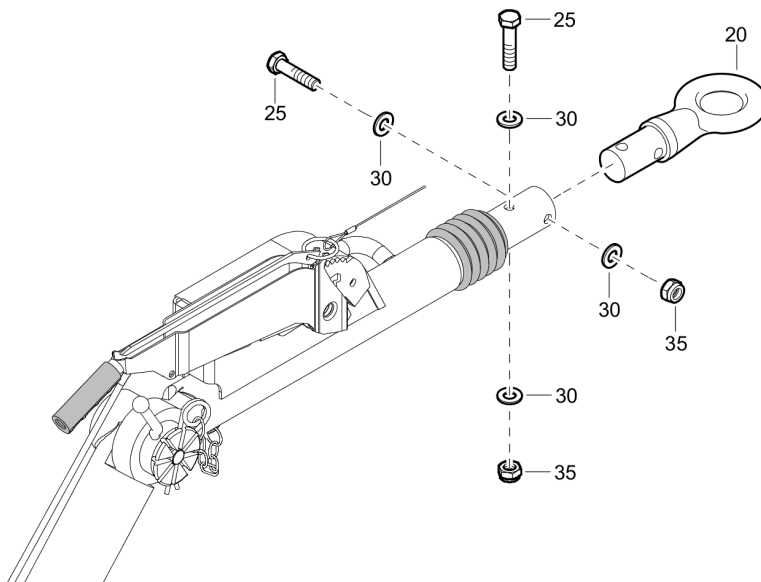
Item	Part No.	Name	Qty	L
20	1614467800	Nato eye	1	
25	1202984402	Bolt	2	
30	1202984500	Washer	4	
35	0291118513	Nut	2	

Options 1611770412_05 Towing eyes - ITA eye



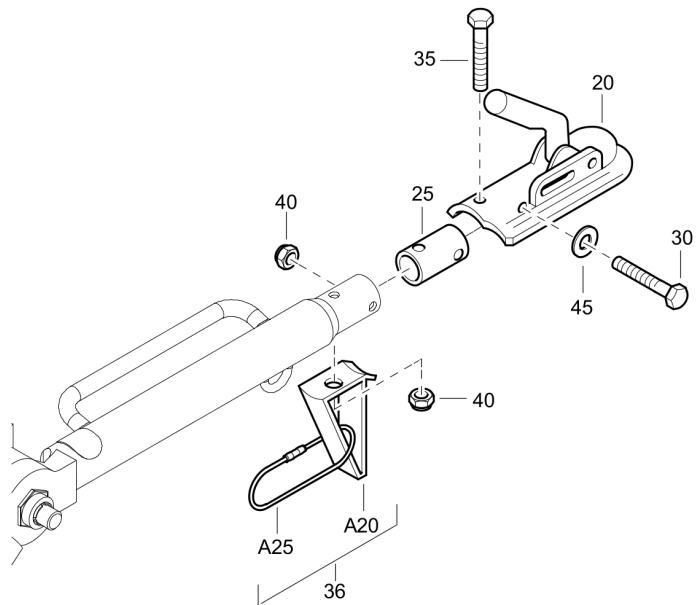
Item	Part No.	Name	Qty	L
35	1615682002	Towing eye	1	
40	1202984402	Bolt	2	
45	1202984500	Washer	4	
50	0291118513	Nut	2	

Options 1611770612_02 GB eye



Item	Part No.	Name	Qty	L
20	1615865901	50MM EYE	1	
25	1202984402	Bolt	2	
30	1202984500	Washer	4	
35	0291118513	Nut	2	

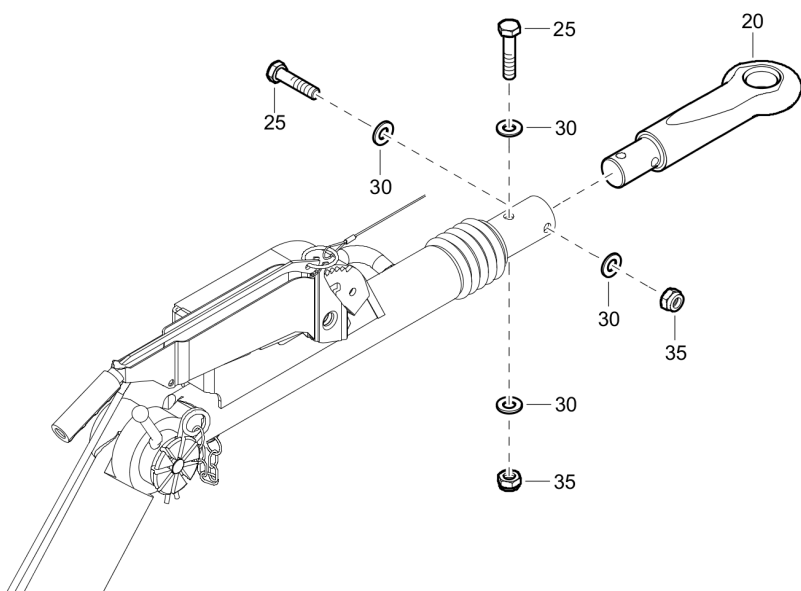
Options 1611771312_03 Ball coupling - No brakes



Item	Part No.	Name	Qty	L
20	1619682600	Ball coupling	1	
25	1202973200	Bush	1	
30	1202984402	Bolt	1	
35	1202984405	Bolt	1	
36	1615746700	Bracket	1	
A20	1619721300	Support	1	
A25	1615688400	Cable	1	
40	0291118513	Nut	2	
45	0301235800	Washer	1	

Refer to the Parts Online web page for most up-to-date information. The printed information might be outdated.

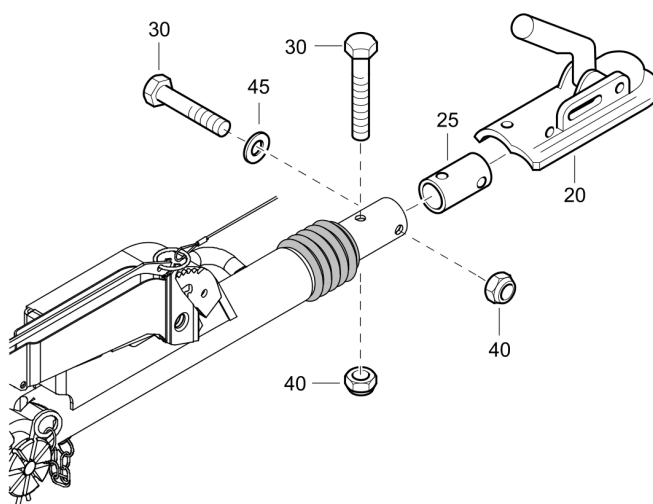
Options 1611770212_01 DIN eye



Item	Part No.	Name	Qty	L
20	1614439200	Din eye	1	
25	1202984402	Bolt	2	
30	1202984500	Washer	4	
35	0291118513	Nut	2	

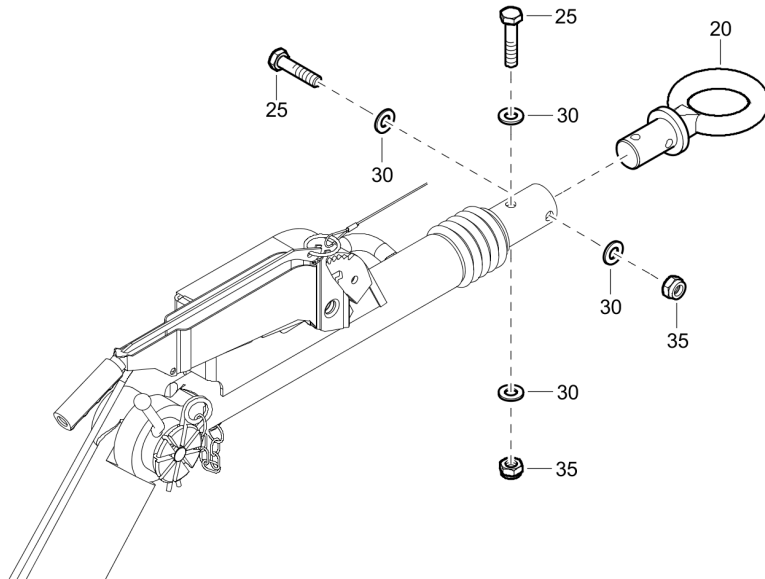
Options 1611770312_03 Ball coupling - Brakes

BALL COUPLING - WITH BRAKES



Item	Part No.	Name	Qty	L
20	1619682600	Ball coupling	1	
25	1202973200	Bush	1	
30	1202984402	Bolt	2	
40	0291118513	Nut	2	
45	1202984500	Washer	1	

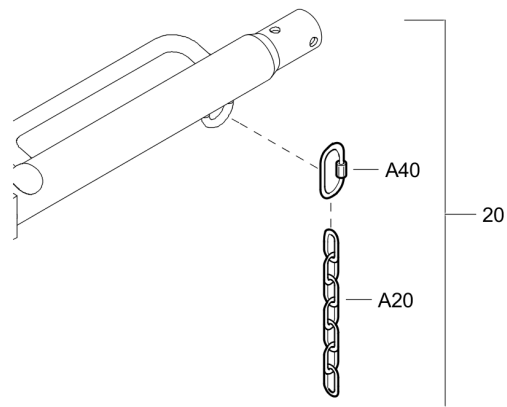
Options 1611770112_01 AC eye



Item	Part No.	Name	Qty	L
20	1614436800	A.c. eye	1	
25	1202984402	Bolt	2	
30	1202984500	Washer	4	
35	0291118513	Nut	2	

Options 1611772212_02 Safety chain CE

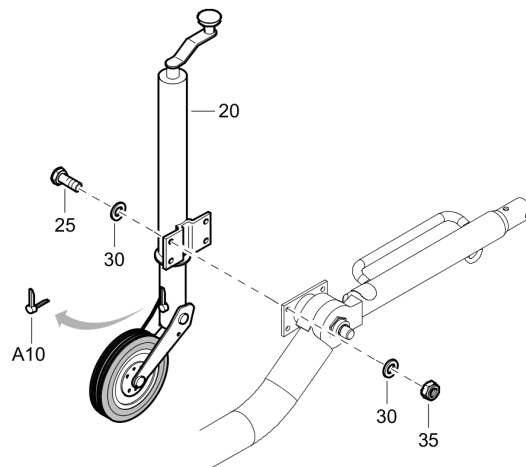
SAFETY CHAIN



Item	Part No.	Name	Qty	L
20	1604157480	Chain	1	
A20	1604157400	Safety chain	1	
A40	1604157202	Quick coupling	2	

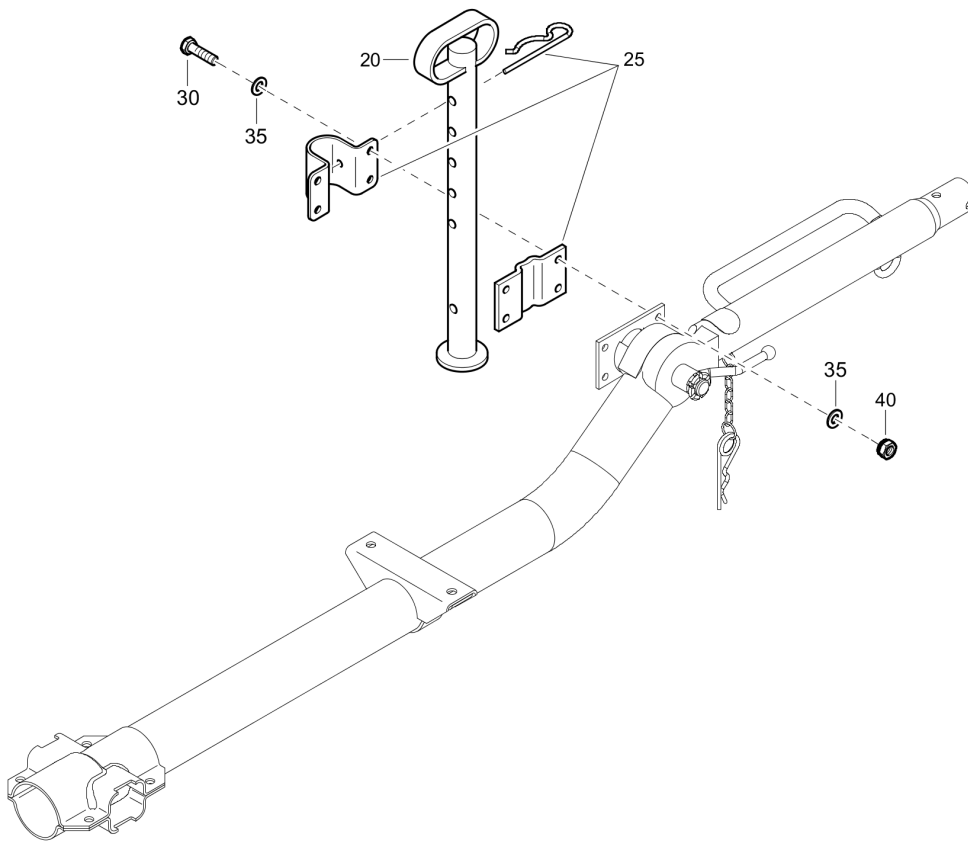
Options 1611772112_01 Jockey wheel

JOCKEY WHEEL



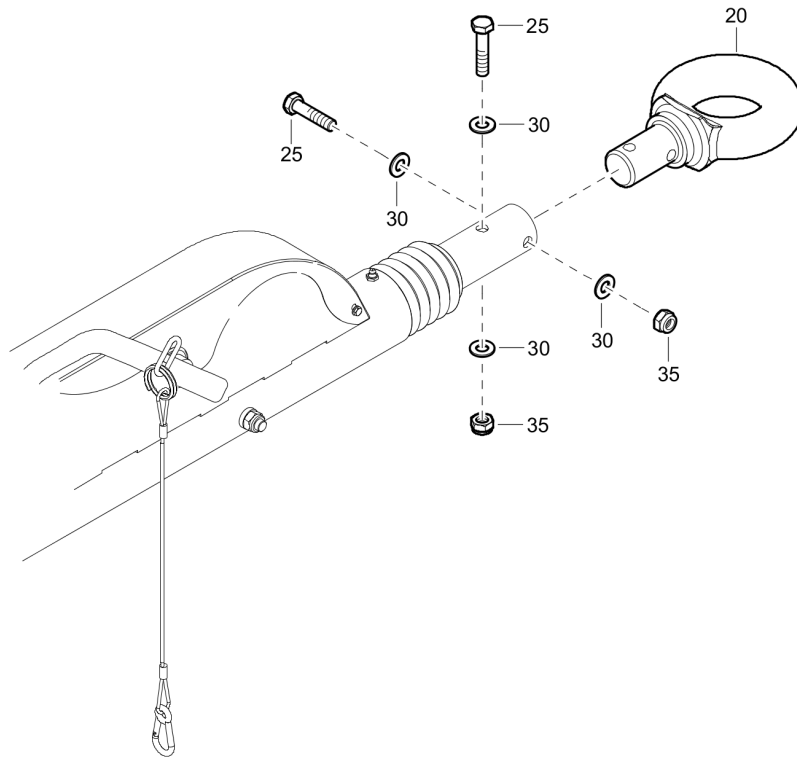
Item	Part No.	Name	Qty	L
20	1615776900	Swivel wheel	1	
A10	2914237000	Locking pin	1	
25	0147136203	Screw DIN933	4	
30	0301234400	Washer DIN125	8	
35	0291111100	Nut DIN985	4	

Options 1611772012_09 Support leg



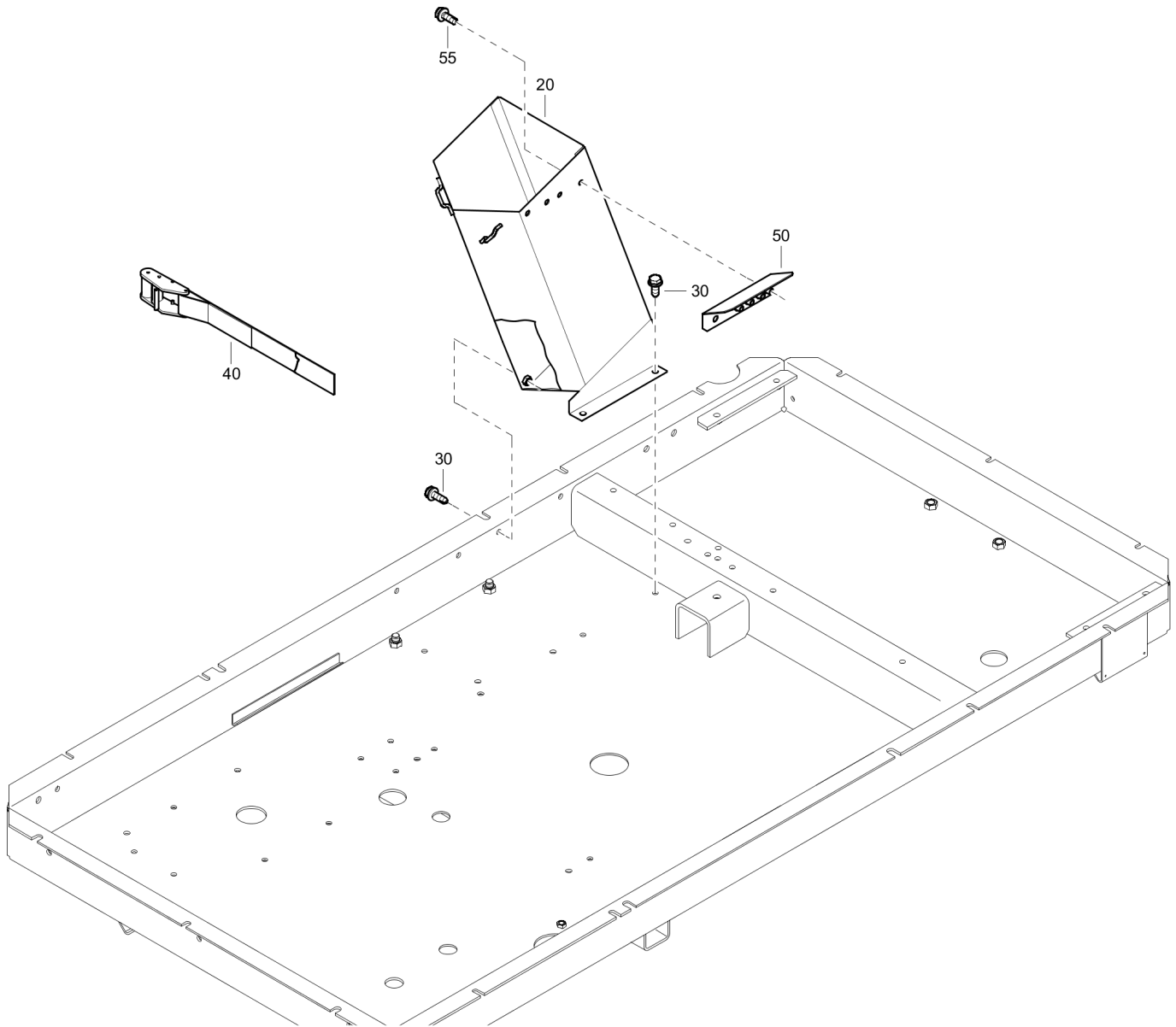
Item	Part No.	Name	Qty	L
20	1615775201	Foot	1	
25	1615775100	Clamp assembly	1	
30	0147136403	Screw DIN933	4	
35	0301234400	Washer DIN125	8	
40	0291111100	Nut DIN985	4	

Options 1611763314_02 Bna eye



Item	Part No.	Name	Qty	L
20	1626445500	BNA eye	1	
25	1202984402	Bolt	2	
30	1202984500	Washer	4	
35	0291118513	Nut	2	

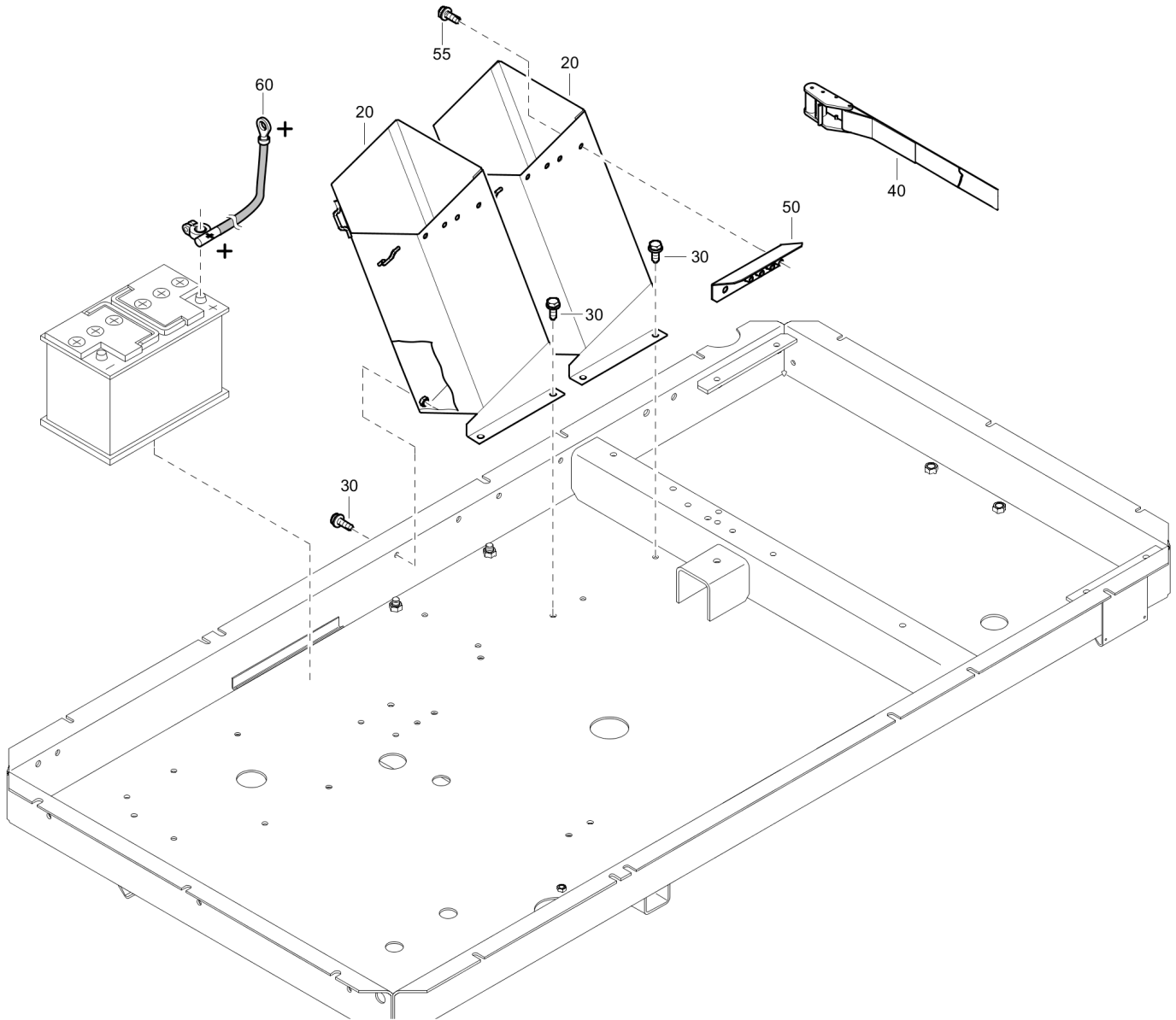
Options 1611801014_03 Tool box



Refer to the Parts Online web page for most up-to-date information. The printed information might be outdated.

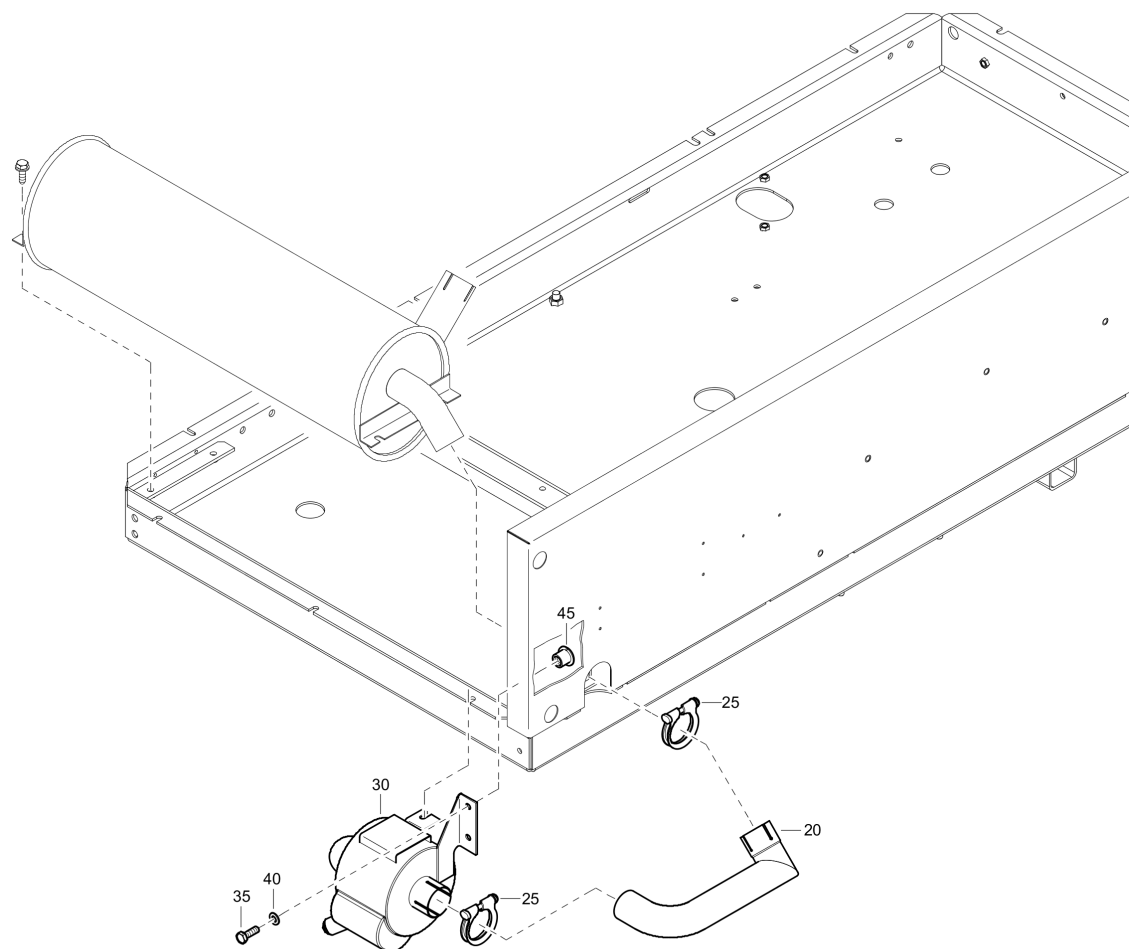
Item	Part No.	Name	Qty	L
20	1604390432	TOOLBOX	1	
30	1619276600	Screw DIN933	4	
40	1615912100	BAND	1	
50	1604659330	PROTECTION	1	
55	1619276600	Screw DIN933	2	

Options 1611801114_05 TWIN TOOLBOX



Item	Part No.	Name	Qty	L
20	1604390432	TOOLBOX	2	
30	1619276600	Screw DIN933	8	
40	1615912100	BAND	2	
50	1604659330	PROTECTION	1	
55	1619276600	Screw DIN933	2	
60	1604961500	Cable battery	1	

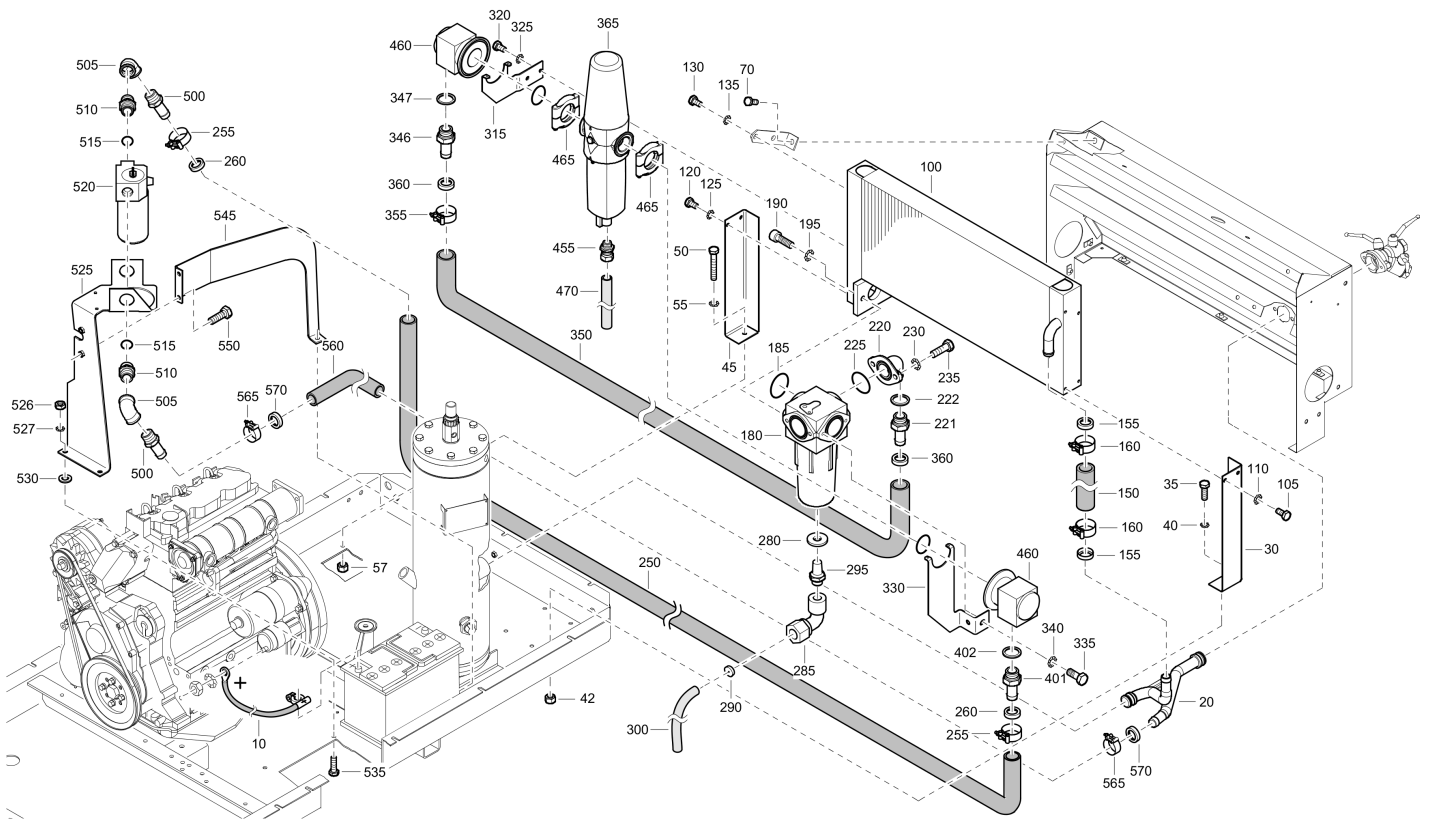
Options 1611807114_02 SPARK ARRESTOR



Refer to the Parts Online web page for most up-to-date information. The printed information might be outdated.

Item	Part No.	Name	Qty	L
20	1604577400	PIPE EXHAUST	1	
25	0346300108	Clamp	2	
30	1604577200	Spark arrestor	1	
35	0147132303	Screw DIN933	2	
40	0301233500	Washer DIN125	2	
45	0298100017	Blind rivet nut	2	

Options 1611866414_16 AFTERCOOLER-WS-PD-QD-LUB-XAS67/97



Refer to the Parts Online web page for most up-to-date information. The printed information might be outdated.

Item	Part No.	Name	Qty	L
10	1604961500	Cable battery	1	
20	1604403400	Pipe	1	
30	1604404000	Bracket	1	
35	0147132303	Screw DIN933	1	
40	0333322700	Lock washer	1	
42	0266211000	Nut DIN934	1	
45	1604404100	Bracket	1	
50	0147132303	Screw DIN933	1	
55	0333322700	Lock washer	1	
57	0266211000	Nut DIN934	1	
70	0147132303	Screw DIN933	2	
100	1626140901	Cooler after	1	
105	0147132003	Hexagon bolt	2	
110	0333322700	Lock washer	2	
120	0147132003	Hexagon bolt	2	
125	0333322700	Lock washer	2	
130	0147132003	Hexagon bolt	4	
135	0333322700	Lock washer	4	
150	0072840339	Hose	AR	
155	1615862700	Sleeve	2	
160	1079347101	Hose clip	2	
180	1615858100	Waterseparator	1	
185	0663713600	O-ring	1	
190	0211136303	Cap screw	2	
195	0333323200	Lock washer	2	
220	1604401900	Hose coupling	1	
221	1626087400	Hose nipple	1	
222	0661104900	Sealing washer	1	
225	0663713600	O-ring	1	
230	0333323200	Lock washer	2	
235	0147136303	Screw DIN933	2	
250	0072840339	Hose	AR	
255	1079347101	Hose clip	2	
260	1615862700	Sleeve	2	
280	0653106200	Gasket	1	

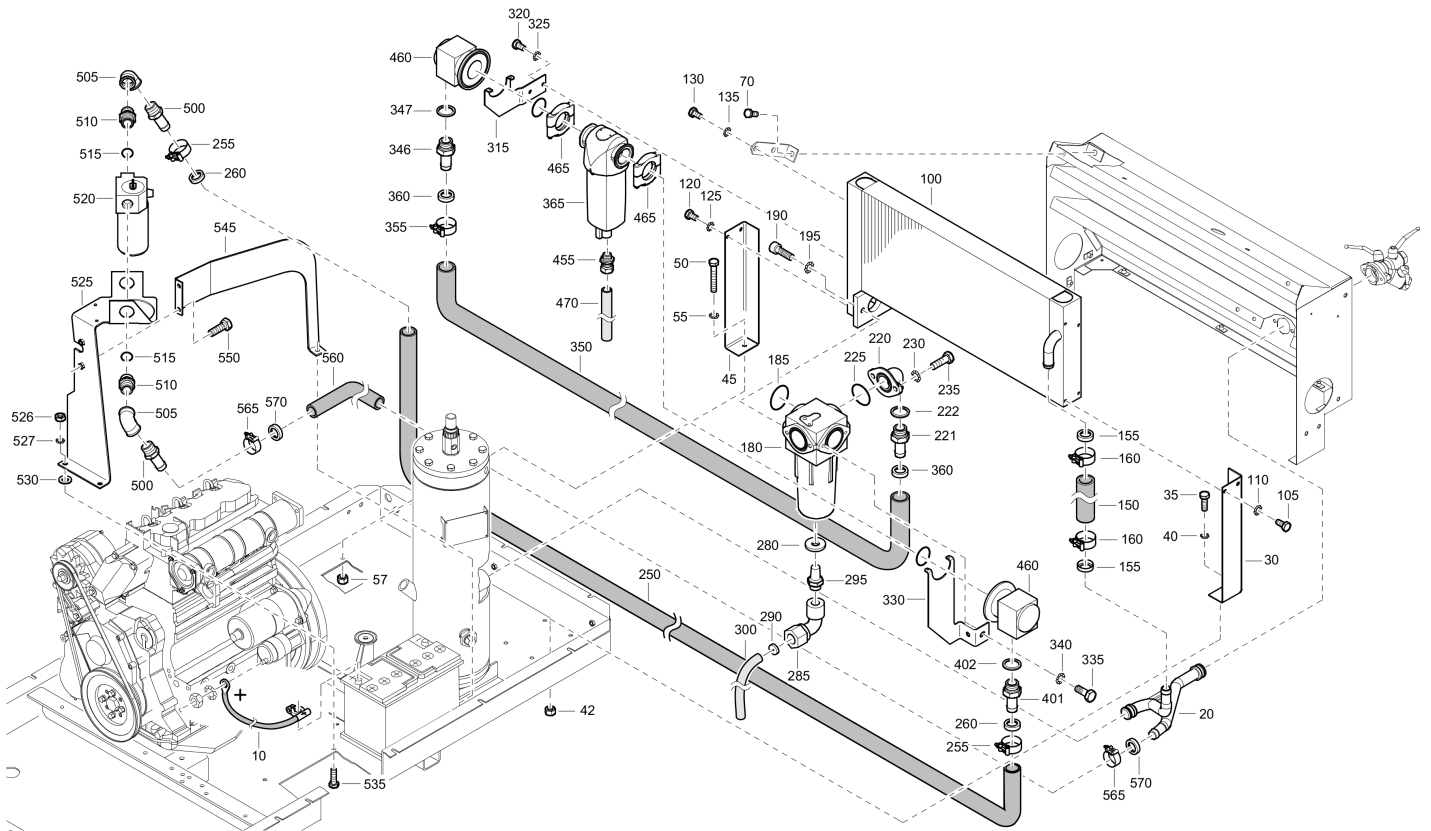
Refer to the Parts Online web page for most up-to-date information. The printed information might be outdated.

Item	Part No.	Name	Qty	L
285	1604395200	Coupling	1	
290	1615862000	Restrictor	1	
295	9090050700	SILENCER	1	
300	0070600205	Plastic tube	AR	
315	1604394902	Bracket	1	
320	0147132003	Hexagon bolt	2	
325	0333322700	Lock washer	2	
330	1604395002	Bracket	1	
335	0147136203	Screw DIN933	2	
340	0333323200	Lock washer	2	
346	1626087400	Hose nipple	1	
347	0661104900	Sealing washer	1	
350	0072840339	Hose	AR	
355	1079347101	Hose clip	2	
360	1615862700	Sleeve	2	
365	1626492601	Filter water	1	
401	1626087400	Hose nipple	1	
402	0661104900	Sealing washer	1	
455	0581022801	Straight pipe coupling	1	
460	1626592100	Adapter	2	
465	1626480601	Clamp	2	
470	0070600205	Plastic tube	AR	
500	9000024600	Hose nipple	2	
505	0560020024	Elbow	2	
510	1604142501	Bushing	2	
515	0663210820	O-ring	2	
520	1615858485	Lubricator assembly	1	
522	8099020236	Lubricating oil	1	
525	1604396201	BRACKET	1	
526	0261211000	Hexagon nut	2	
527	0333322700	Lock washer	2	
530	0301234400	Washer DIN125	2	
535	0147132503	Hex. head screw	2	
545	1604397600	Bracket	1	
550	0147132503	Hex. head screw	2	

Refer to the Parts Online web page for most up-to-date information. The printed information might be outdated.

Item	Part No.	Name	Qty	L
560	0072840339	Hose	AR	
565	1079347101	Hose clip	2	
570	1615862700	Sleeve	2	

Options 1611866214_16 AFTERCOOLER-WS-PD-LUB-XAS67/97



Refer to the Parts Online web page for most up-to-date information. The printed information might be outdated.

Item	Part No.	Name	Qty	L
10	1604961500	Cable battery	1	
20	1604403400	Pipe	1	
30	1604404000	Bracket	1	
35	0147132303	Screw DIN933	1	
40	0333322700	Lock washer	1	
42	0266211000	Nut DIN934	1	
45	1604404100	Bracket	1	
50	0147132303	Screw DIN933	1	
55	0333322700	Lock washer	1	
57	0266211000	Nut DIN934	1	
70	0147132303	Screw DIN933	2	
100	1626140901	Cooler after	1	
105	0147132003	Hexagon bolt	2	
110	0333322700	Lock washer	2	
120	0147132003	Hexagon bolt	2	
125	0333322700	Lock washer	2	
130	0147132003	Hexagon bolt	4	
135	0333322700	Lock washer	4	
150	0072840339	Hose	AR	
155	1615862700	Sleeve	2	
160	1079347101	Hose clip	2	
180	1615858100	Waterseparator	1	
185	0663713600	O-ring	1	
190	0211136303	Cap screw	2	
195	0333323200	Lock washer	2	
220	1604401900	Hose coupling	1	
221	1626087400	Hose nipple	1	
222	0661104900	Sealing washer	1	
225	0663713600	O-ring	1	
230	0333323200	Lock washer	2	
235	0147136303	Screw DIN933	2	
250	0072840339	Hose	AR	
255	1079347101	Hose clip	2	
260	1615862700	Sleeve	2	
280	0653106200	Gasket	1	

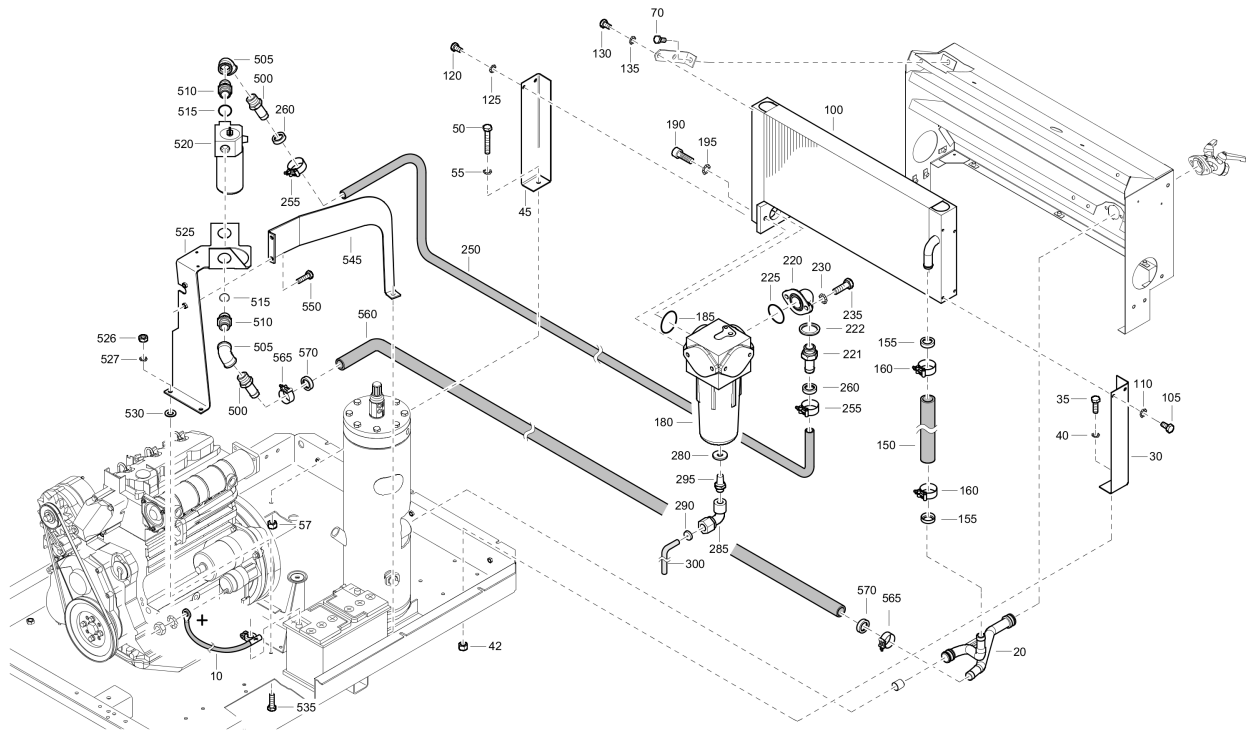
Refer to the Parts Online web page for most up-to-date information. The printed information might be outdated.

Item	Part No.	Name	Qty	L
285	1604395200	Coupling	1	
290	1615862000	Restrictor	1	
295	9090050700	SILENCER	1	
300	0070600205	Plastic tube	AR	
315	1604394902	Bracket	1	
320	0147132003	Hexagon bolt	2	
325	0333322700	Lock washer	2	
330	1604395002	Bracket	1	
335	0147136203	Screw DIN933	2	
340	0333323200	Lock washer	2	
346	1626087400	Hose nipple	1	
347	0661104900	Sealing washer	1	
350	0072840339	Hose	AR	
355	1079347101	Hose clip	2	
360	1615862700	Sleeve	2	
365	1626492401	Filter	1	
401	1626087400	Hose nipple	1	
402	0661104900	Sealing washer	1	
455	0581022801	Straight pipe coupling	1	
460	1626592100	Adapter	2	
465	1626480601	Clamp	2	
470	0070600205	Plastic tube	AR	
500	9000024600	Hose nipple	2	
505	0560020024	Elbow	2	
510	1604142501	Bushing	2	
515	0663210820	O-ring	2	
520	1615858485	Lubricator assembly	1	
522	8099020236	Lubricating oil	1	
525	1604396201	BRACKET	1	
526	0261211000	Hexagon nut	2	
527	0333322700	Lock washer	2	
530	0301234400	Washer DIN125	2	
535	0147132503	Hex. head screw	2	
545	1604397600	Bracket	1	
550	0147132503	Hex. head screw	2	

Refer to the Parts Online web page for most up-to-date information. The printed information might be outdated.

Item	Part No.	Name	Qty	L
560	0072840339	Hose	AR	
565	1079347101	Hose clip	2	
570	1615862700	Sleeve	2	

Options 1611865914_16 AFTERCOOLER-WS-LUB-XAS67/97



Refer to the Parts Online web page for most up-to-date information. The printed information might be outdated.

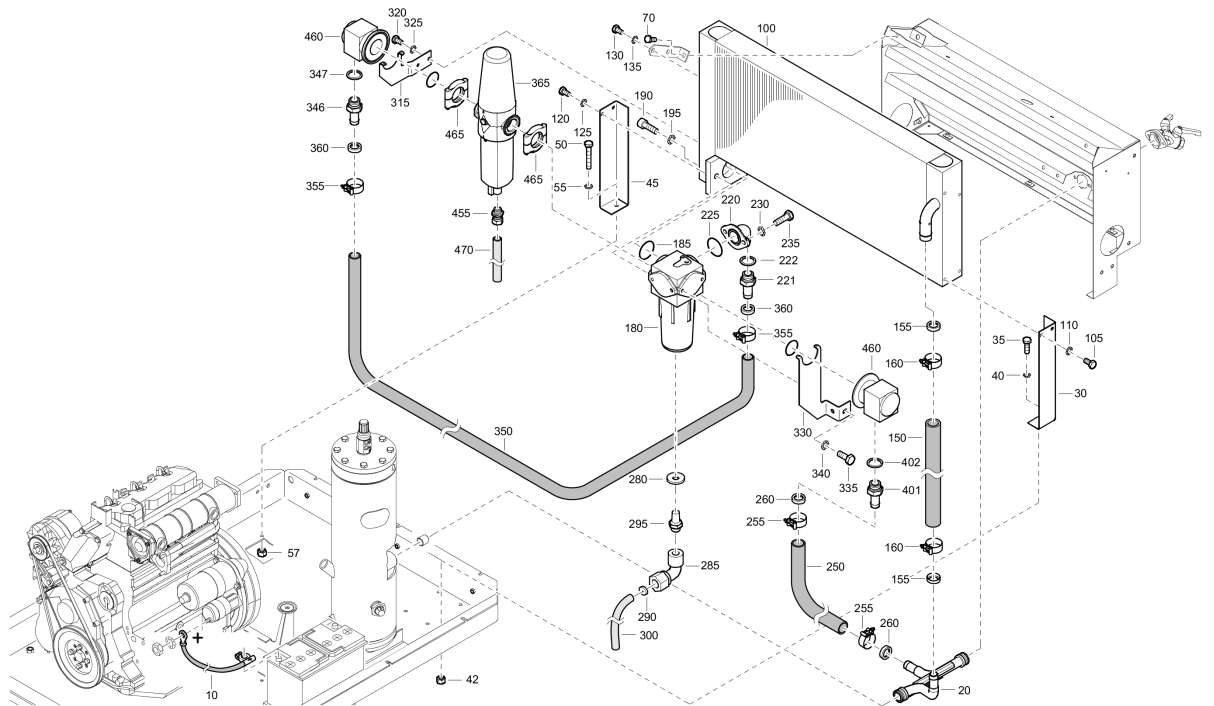
Item	Part No.	Name	Qty	L
10	1604961500	Cable battery	1	
20	1604403400	Pipe	1	
30	1604404000	Bracket	1	
35	0147132303	Screw DIN933	1	
40	0333322700	Lock washer	1	
42	0266211000	Nut DIN934	1	
45	1604404100	Bracket	1	
50	0147132303	Screw DIN933	1	
55	0333322700	Lock washer	1	
57	0266211000	Nut DIN934	1	
70	0147132303	Screw DIN933	2	
100	1626140901	Cooler after	1	
105	0147132003	Hexagon bolt	2	
110	0333322700	Lock washer	2	
120	0147132003	Hexagon bolt	2	
125	0333322700	Lock washer	2	
130	0147132003	Hexagon bolt	4	
135	0333322700	Lock washer	4	
150	0072840339	Hose	AR	
155	1615862700	Sleeve	2	
160	1079347101	Hose clip	2	
180	1615858100	Waterseparator	1	
185	0663713600	O-ring	1	
190	0211136303	Cap screw	2	
195	0333323200	Lock washer	2	
220	1604401900	Hose coupling	1	
221	1626087400	Hose nipple	1	
222	0661104900	Sealing washer	1	
225	0663713600	O-ring	1	
230	0333323200	Lock washer	2	
235	0147136303	Screw DIN933	2	
250	0072840339	Hose	AR	
255	1079347101	Hose clip	2	
260	1615862700	Sleeve	2	
280	0653106200	Gasket	1	

Refer to the Parts Online web page for most up-to-date information. The printed information might be outdated.

Item	Part No.	Name	Qty	L
285	1604395200	Coupling	1	
290	1615862000	Restrictor	1	
295	9090050700	SILENCER	1	
300	0070600205	Plastic tube	AR	
500	9000024600	Hose nipple	2	
505	0560020024	Elbow	2	
510	1604142501	Bushing	2	
515	0663210820	O-ring	2	
520	1615858485	Lubricator assembly	1	
522	8099020236	Lubricating oil	1	
525	1604396201	BRACKET	1	
526	0261211000	Hexagon nut	2	
527	0333322700	Lock washer	2	
530	0301234400	Washer DIN125	2	
535	0147132503	Hex. head screw	2	
545	1604397600	Bracket	1	
550	0147132503	Hex. head screw	2	
560	0072840339	Hose	AR	
565	1079347101	Hose clip	2	
570	1615862700	Sleeve	2	

This page intentionally left blank

Options 1611865614_12 AFTERCOOLER-WS-PD-QD-XAS67/97



Refer to the Parts Online web page for most up-to-date information. The printed information might be outdated.

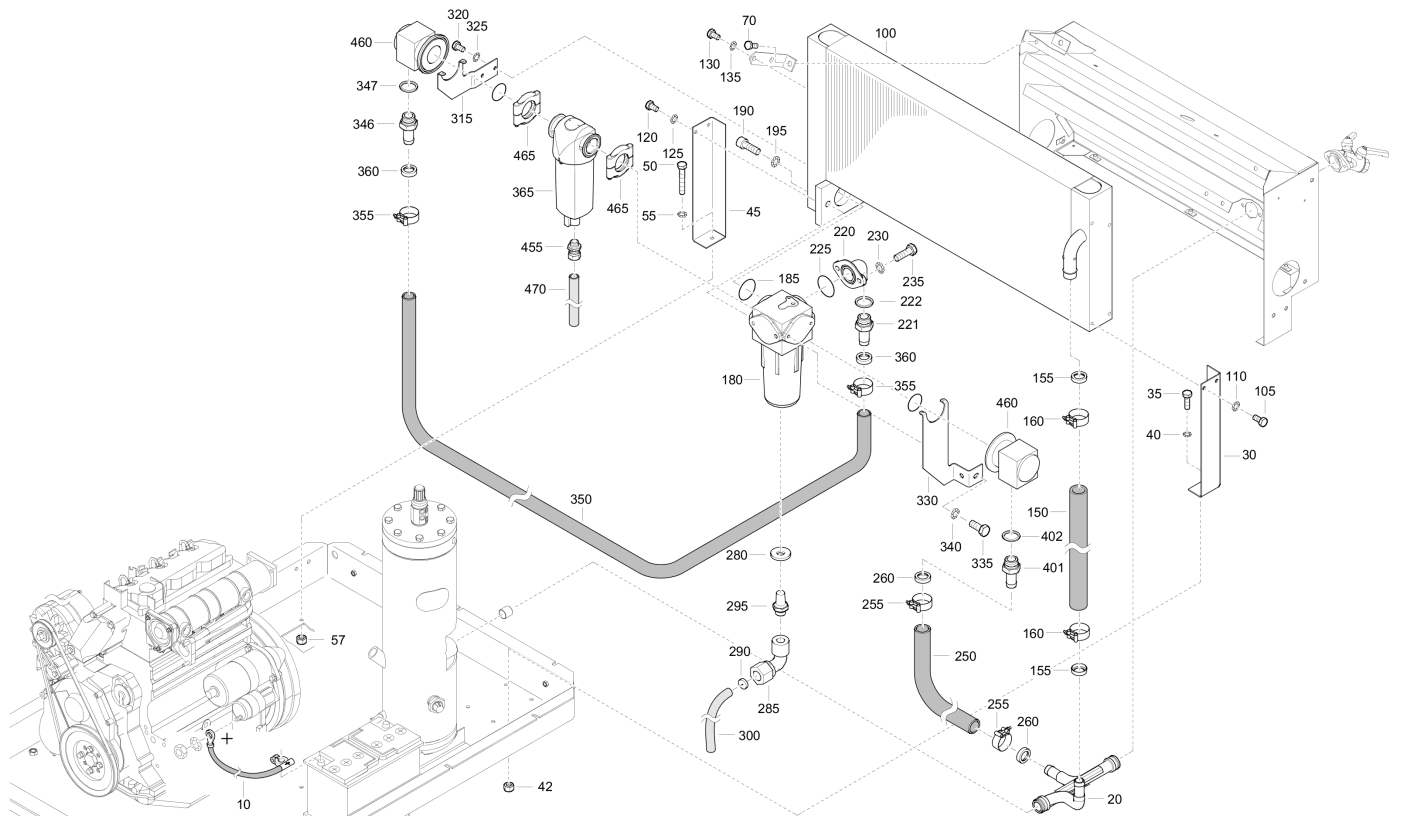
Item	Part No.	Name	Qty	L
10	1615772501	Ttery cable	1	
20	1604403100	Pipe	1	
30	1604404000	Bracket	1	
35	0147132303	Screw DIN933	1	
40	0333322700	Lock washer	1	
42	0266211000	Nut DIN934	1	
45	1604404100	Bracket	1	
50	0147132303	Screw DIN933	1	
55	0333322700	Lock washer	1	
57	0266211000	Nut DIN934	1	
70	0147132303	Screw DIN933	2	
100	1626140901	Cooler after	1	
105	0147132003	Hexagon bolt	2	
110	0333322700	Lock washer	2	
120	0147132003	Hexagon bolt	2	
125	0333322700	Lock washer	2	
130	0147132003	Hexagon bolt	4	
135	0333322700	Lock washer	4	
150	0072840339	Hose	AR	
155	1615862700	Sleeve	2	
160	1079347101	Hose clip	2	
180	1615858100	Waterseparator	1	
185	0663713600	O-ring	1	
190	0211136303	Cap screw	2	
195	0333323200	Lock washer	2	
220	1604401900	Hose coupling	1	
221	1626087400	Hose nipple	1	
222	0661104900	Sealing washer	1	
225	0663713600	O-ring	1	
230	0333323200	Lock washer	2	
235	0147136303	Screw DIN933	2	
250	0072840339	Hose	AR	
255	1079347101	Hose clip	2	
260	1615862700	Sleeve	2	
280	0653106200	Gasket	1	

Refer to the Parts Online web page for most up-to-date information. The printed information might be outdated.

Item	Part No.	Name	Qty	L
285	1604395200	Coupling	1	
290	1615862000	Restrictor	1	
295	9090050700	SILENCER	1	
300	0070600205	Plastic tube	AR	
315	1604394902	Bracket	1	
320	0147132003	Hexagon bolt	2	
325	0333322700	Lock washer	2	
330	1604395002	Bracket	1	
335	0147136203	Screw DIN933	2	
340	0333323200	Lock washer	2	
346	1626087400	Hose nipple	1	
347	0661104900	Sealing washer	1	
350	0072840339	Hose	AR	
355	1079347101	Hose clip	2	
360	1615862700	Sleeve	2	
365	1626492601	Filter water	1	
401	1626087400	Hose nipple	1	
402	0661104900	Sealing washer	1	
455	0581022801	Straight pipe coupling	1	
460	1626592100	Adapter	2	
465	1626480601	Clamp	2	
470	0070600205	Plastic tube	AR	

This page intentionally left blank

Options 1611865414_12 AFTERCOOLER-WS-PD-XAS67/97



Refer to the Parts Online web page for most up-to-date information. The printed information might be outdated.

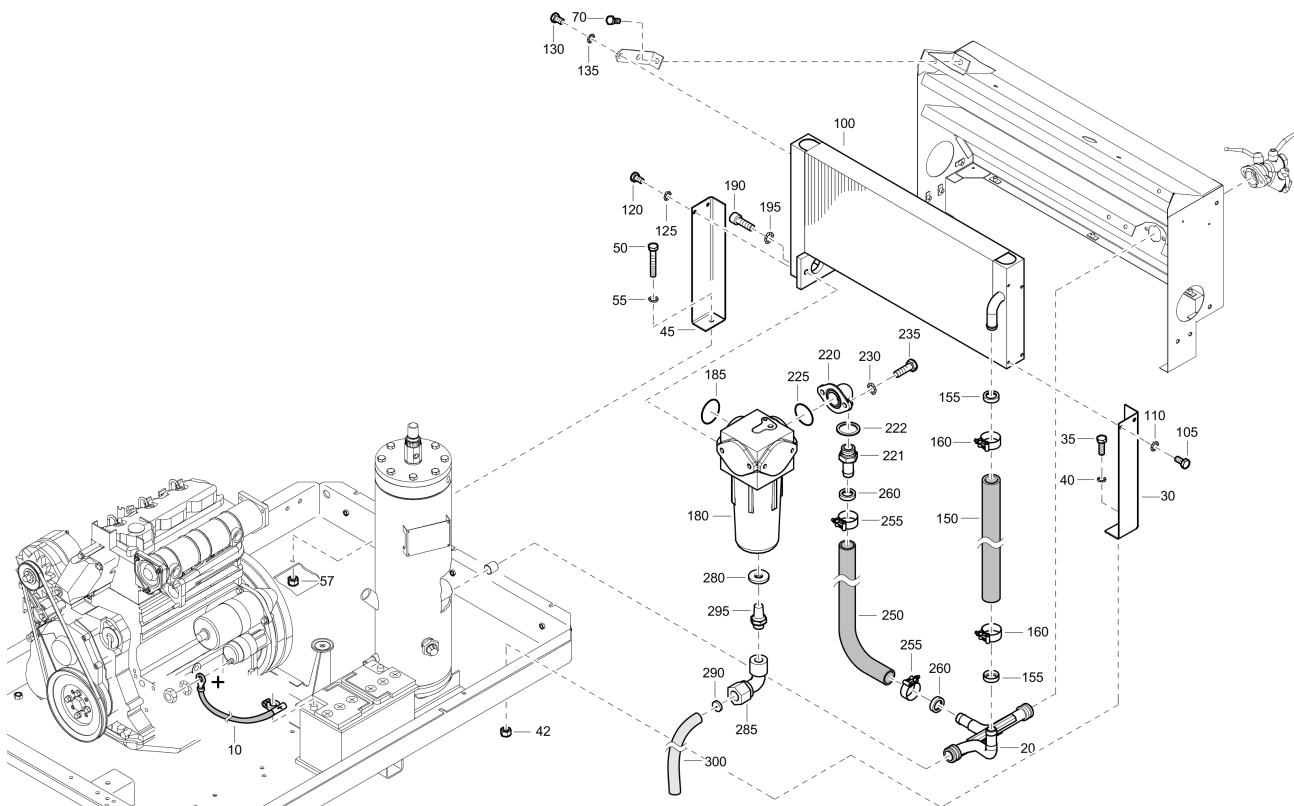
Item	Part No.	Name	Qty	L
10	1615772501	Ttery cable	1	
20	1604403100	Pipe	1	
30	1604404000	Bracket	1	
35	0147132303	Screw DIN933	1	
40	0333322700	Lock washer	1	
42	0266211000	Nut DIN934	1	
45	1604404100	Bracket	1	
50	0147132303	Screw DIN933	1	
55	0333322700	Lock washer	1	
57	0266211000	Nut DIN934	1	
70	0147132303	Screw DIN933	2	
100	1626140901	Cooler after	1	
105	0147132003	Hexagon bolt	2	
110	0333322700	Lock washer	2	
120	0147132003	Hexagon bolt	2	
125	0333322700	Lock washer	2	
130	0147132003	Hexagon bolt	4	
135	0333322700	Lock washer	4	
150	0072840339	Hose	AR	
155	1615862700	Sleeve	2	
160	1079347101	Hose clip	2	
180	1615858100	Waterseparator	1	
185	0663713600	O-ring	1	
190	0211136303	Cap screw	2	
195	0333323200	Lock washer	2	
220	1604401900	Hose coupling	1	
221	1626087400	Hose nipple	1	
222	0661104900	Sealing washer	1	
225	0663713600	O-ring	1	
230	0333323200	Lock washer	2	
235	0147136303	Screw DIN933	2	
250	0072840339	Hose	AR	
255	1079347101	Hose clip	2	
260	1615862700	Sleeve	2	
280	0653106200	Gasket	1	

Refer to the Parts Online web page for most up-to-date information. The printed information might be outdated.

Item	Part No.	Name	Qty	L
285	1604395200	Coupling	1	
290	1615862000	Restrictor	1	
295	9090050700	SILENCER	1	
300	0070600205	Plastic tube	AR	
315	1604394902	Bracket	1	
320	0147132003	Hexagon bolt	2	
325	0333322700	Lock washer	2	
330	1604395002	Bracket	1	
335	0147136203	Screw DIN933	2	
340	0333323200	Lock washer	2	
346	1626087400	Hose nipple	1	
347	0661104900	Sealing washer	1	
350	0072840339	Hose	AR	
355	1079347101	Hose clip	2	
360	1615862700	Sleeve	2	
365	1626492401	Filter	1	
401	1626087400	Hose nipple	1	
402	0661104900	Sealing washer	1	
455	0581022801	Straight pipe coupling	1	
460	1626592100	Adapter	2	
465	1626480601	Clamp	2	
470	0070600205	Plastic tube	AR	

This page intentionally left blank

Options 1611865314_12 AFTERCOOLER-WS-XAS67/97



Refer to the Parts Online web page for most up-to-date information. The printed information might be outdated.

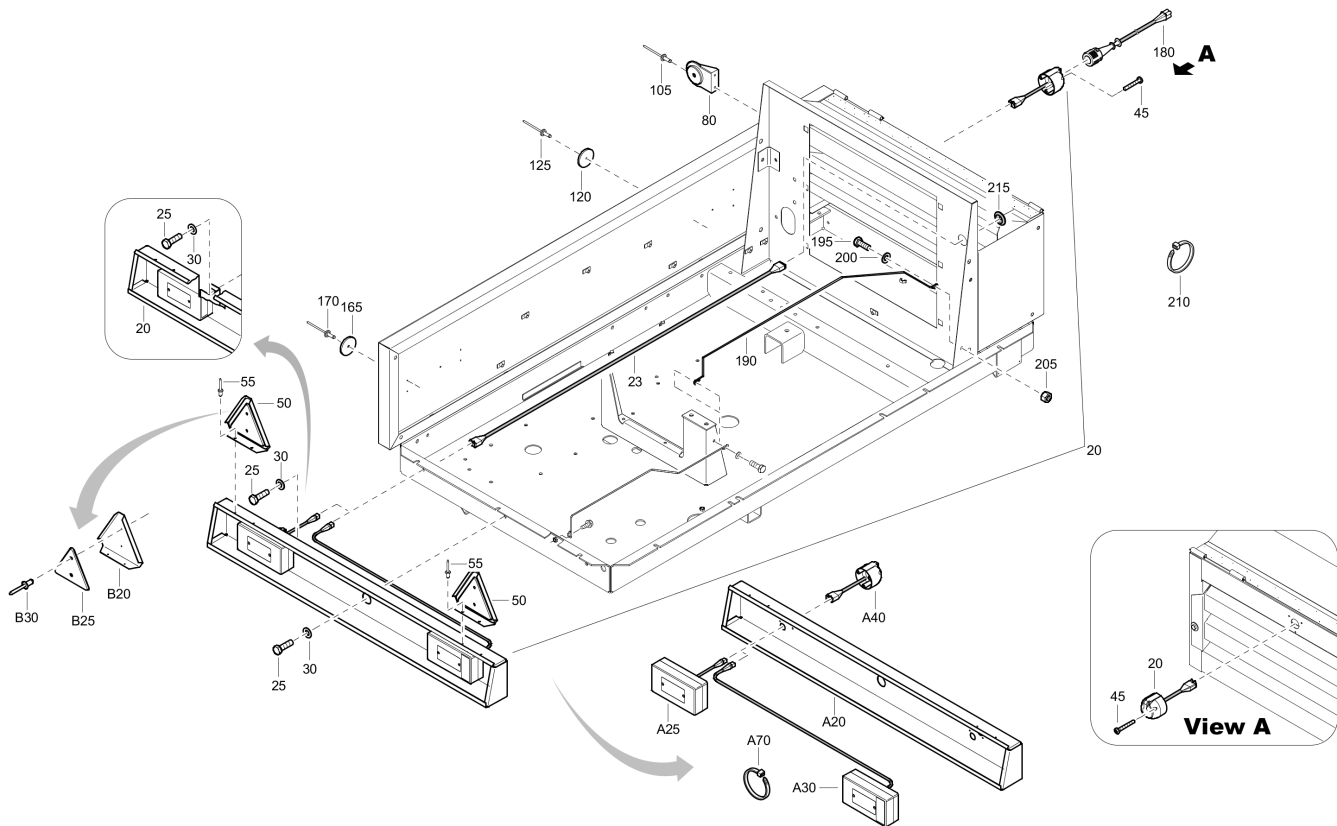
Item	Part No.	Name	Qty	L
10	1615772501	Ttery cable	1	
20	1604403100	Pipe	1	
30	1604404000	Bracket	1	
35	0147132303	Screw DIN933	1	
40	0333322700	Lock washer	1	
42	0266211000	Nut DIN934	1	
45	1604404100	Bracket	1	
50	0147132303	Screw DIN933	1	
55	0333322700	Lock washer	1	
57	0266211000	Nut DIN934	1	
70	0147132303	Screw DIN933	2	
100	1626140901	Cooler after	1	
105	0147132003	Hexagon bolt	2	
110	0333322700	Lock washer	2	
120	0147132003	Hexagon bolt	2	
125	0333322700	Lock washer	2	
130	0147132003	Hexagon bolt	4	
135	0333322700	Lock washer	4	
150	0072840339	Hose	AR	
155	1615862700	Sleeve	2	
160	1079347101	Hose clip	2	
180	1615858100	Waterseparator	1	
185	0663713600	O-ring	1	
190	0211136303	Cap screw	2	
195	0333323200	Lock washer	2	
220	1604401900	Hose coupling	1	
221	1626087400	Hose nipple	1	
222	0661104900	Sealing washer	1	
225	0663713600	O-ring	1	
230	0333323200	Lock washer	2	
235	0147136303	Screw DIN933	2	
250	0072840339	Hose	AR	
255	1079347101	Hose clip	2	
260	1615862700	Sleeve	2	
280	0653106200	Gasket	1	

Refer to the Parts Online web page for most up-to-date information. The printed information might be outdated.

Item	Part No.	Name	Qty	L
285	1604395200	Coupling	1	
290	1615862000	Restrictor	1	
295	9090050700	SILENCER	1	
300	0070600205	Plastic tube	AR	

This page intentionally left blank

Options 1611864214_21 ROADSIGNALISATION

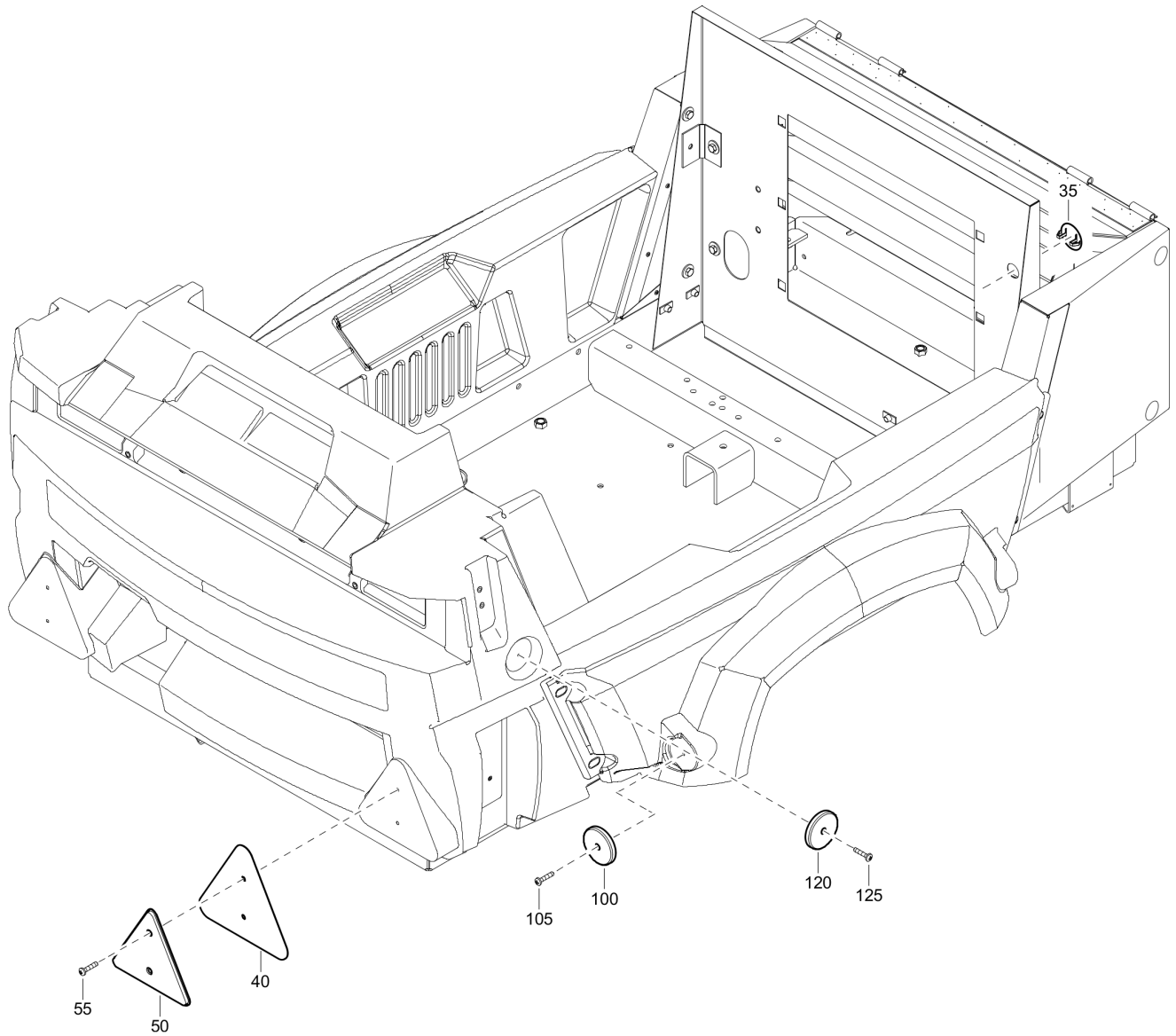


Refer to the Parts Online web page for most up-to-date information. The printed information might be outdated.

Item	Part No.	Name	Qty	L
20	1604544586	BUMPER ASSY	1	
A20	1604544531	BUMPER	1	
A25	1604222880	Light left assembly	1	
A30	1604222980	Light right assembly	1	
A40	1626349700	Front cable	1	
A70	1088130101	Cable tie	3	
23	1626349600	Rear cable	1	
25	0147132503	Hex. head screw	3	
30	0301233500	Washer DIN125	3	
45	0226004705	Screw tapping	3	
50	1604544684	REFLECTOR ASSY	2	
B20	1604544602	BRACKET	1	
B25	1202940201	Reflector	1	
B30	0129317700	Blind rivet	2	
55	0129317401	Blind rivet	4	
80	1605102900	Reflector	2	
85	0226004705	Screw tapping	4	
90	0301232100	Washer DIN9021	4	
105	0129327050	Rivet blind	2	
120	1615552000	Reflector	2	
125	0129327050	Rivet blind	2	
165	1615552000	Reflector	2	
170	0129327050	Rivet blind	2	
180	1626349400	Extension cable	1	
190	1604406000	GUIDE	1	
195	0147132303	Screw DIN933	1	
200	0301233500	Washer DIN125	1	
205	0266211000	Nut DIN934	1	
210	1088130102	Cable tie	12	
215	1088080326	Grommet	1	

Refer to the Parts Online web page for most up-to-date information. The printed information might be outdated.

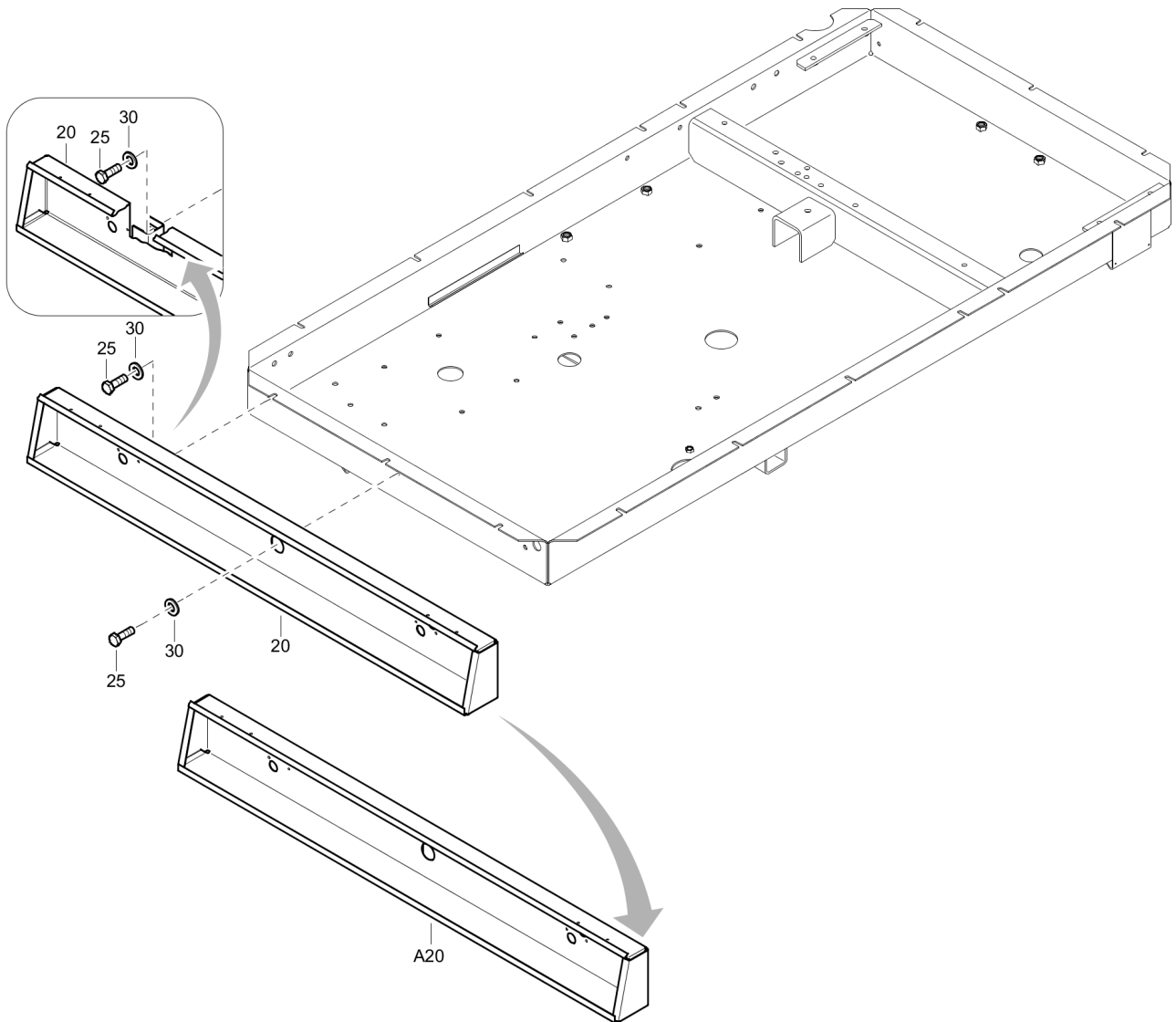
Options 1611864714_06 Semi Road Signalisation PE



Refer to the Parts Online web page for most up-to-date information. The printed information might be outdated.

Item	Part No.	Name	Qty	L
35	1626412100	Plug	1	
40	1202966600	Plate	2	
50	1202940201	Reflector	2	
55	0226004713	TAPPING SCREW	4	
100	1615774000	Reflector	2	
105	0226004713	TAPPING SCREW	2	
120	1615552000	Reflector	4	
125	0226004713	TAPPING SCREW	4	

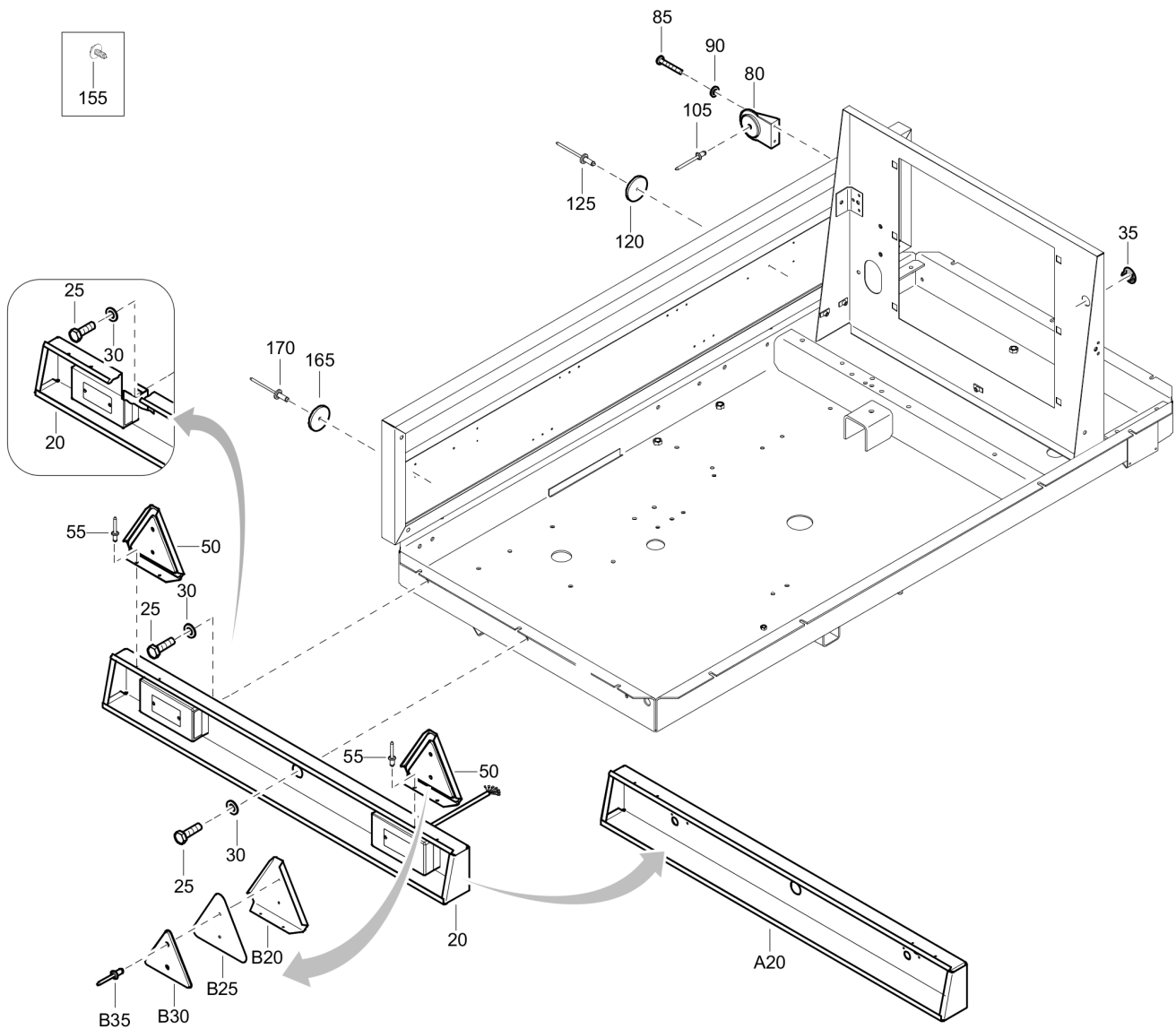
Options 1611864414_02 Simplified bumper



Refer to the Parts Online web page for most up-to-date information. The printed information might be outdated.

Item	Part No.	Name	Qty	L
20	1604544585	BUMPER	1	
25	0147132503	Hex. head screw	3	
30	0301233500	Washer DIN125	3	

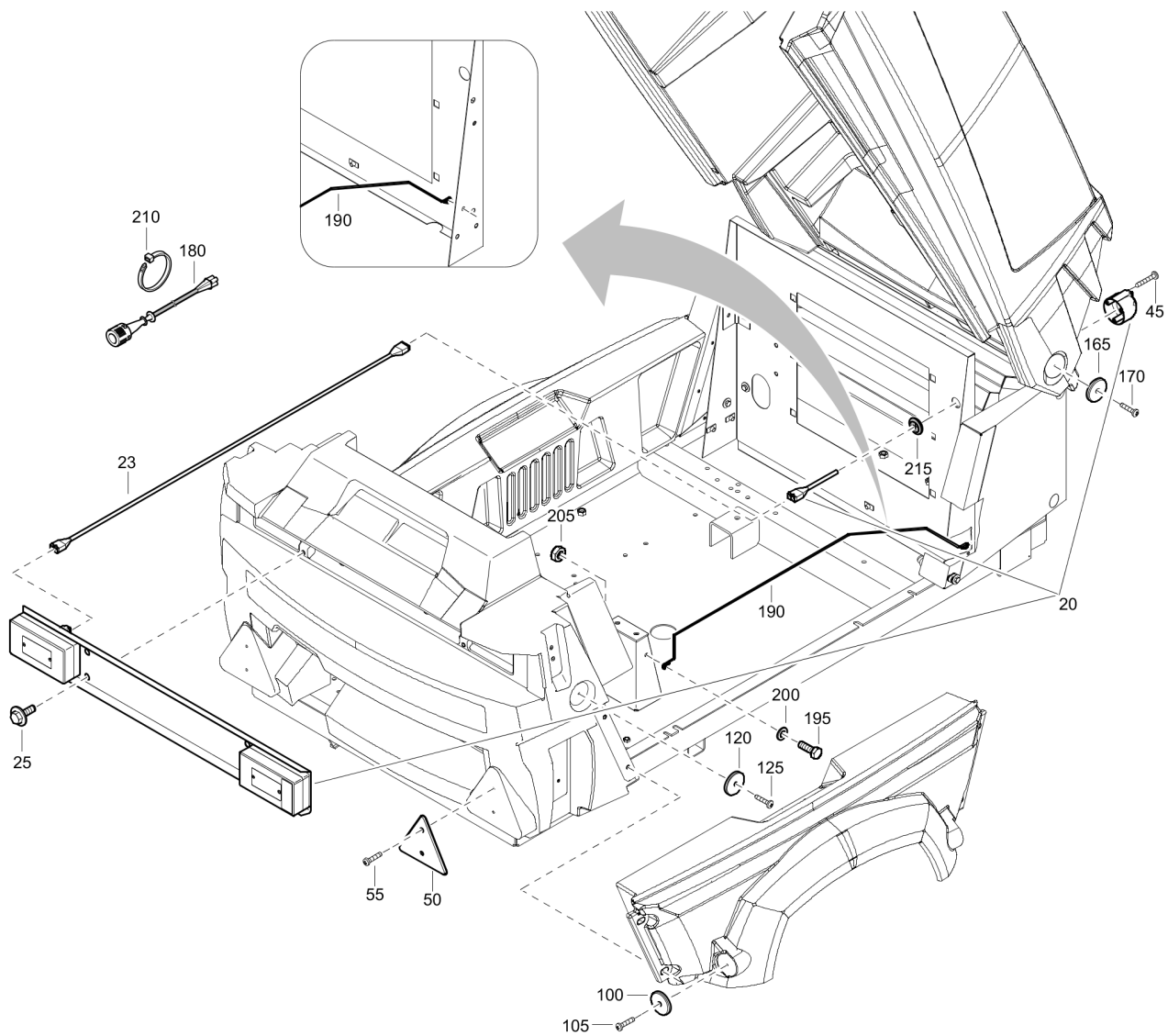
Options 1611864114_16 Semi roadsignalsation



Refer to the Parts Online web page for most up-to-date information. The printed information might be outdated.

Item	Part No.	Name	Qty	L
20	1604544585	BUMPER	1	
A20	1604544531	BUMPER	1	
25	0147132503	Hex. head screw	3	
30	0301233500	Washer DIN125	3	
35	1626412100	Plug	1	
50	1604544685	REFLECTOR ASSY SRS	2	
B20	1604544602	BRACKET	1	
B25	1202966600	Plate	1	
B30	1202940201	Reflector	1	
B35	0129317700	Blind rivet	2	
55	0129317401	Blind rivet	4	
80	1605102900	Reflector	2	
85	0226004705	Screw tapping	4	
90	0301232100	Washer DIN9021	4	
105	0129327050	Rivet blind	4	
120	1615552000	Reflector	2	
125	0129327050	Rivet blind	2	
155	1619276500	Screw	8	
165	1615552000	Reflector	2	
170	0129327050	Rivet blind	2	

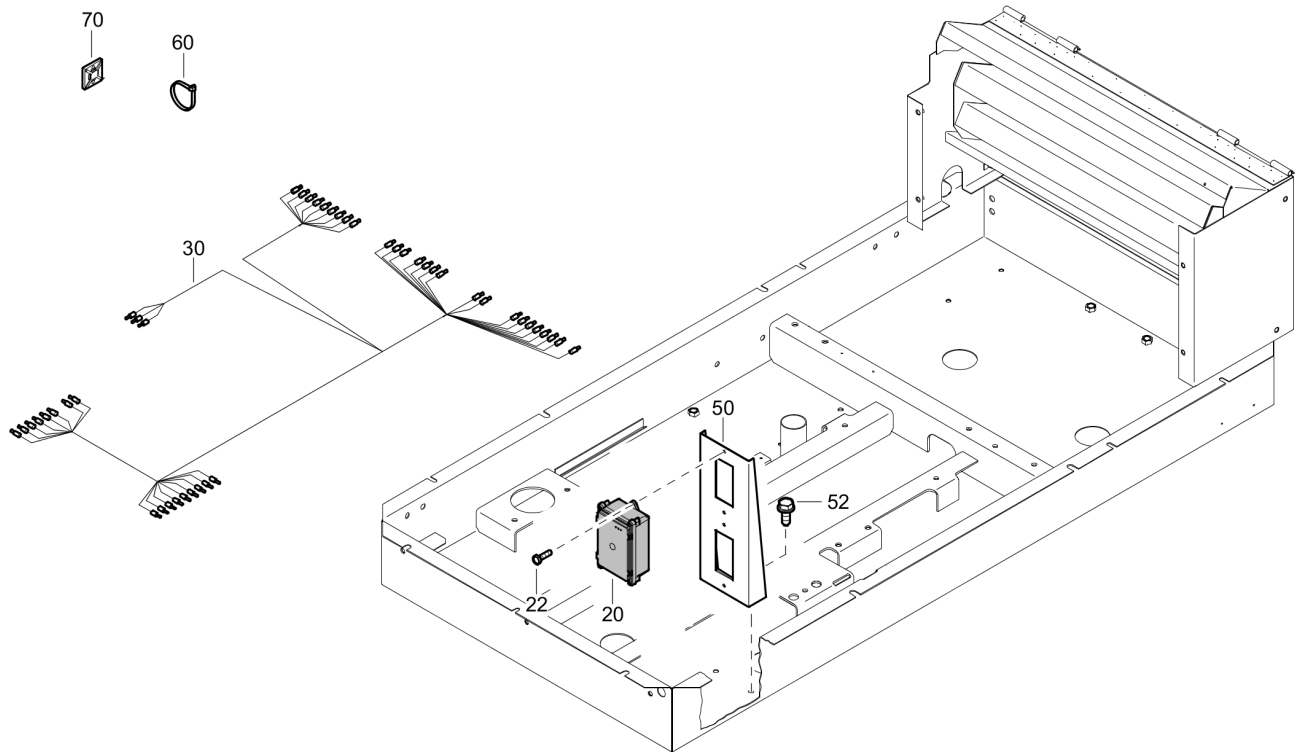
Options 1611863814_08 ROADSIGNALISATION



Refer to the Parts Online web page for most up-to-date information. The printed information might be outdated.

Item	Part No.	Name	Qty	L
20	1604626282	BUMPER ASSY	1	
23	1626349600	Rear cable	1	
25	1604342300	Scraper bolt	4	
45	0226004705	Screw tapping	3	
50	1202940201	Reflector	2	
55	0226004713	TAPPING SCREW	4	
100	1615774000	Reflector	2	
105	0226004713	TAPPING SCREW	2	
120	1615552000	Reflector	4	
125	0226004713	TAPPING SCREW	4	
165	1615552000	Reflector	2	
170	0226004713	TAPPING SCREW	2	
180	1626349400	Extension cable	1	
190	1604406000	GUIDE	1	
195	0147132303	Screw DIN933	1	
200	0301233500	Washer DIN125	1	
205	0266211000	Nut DIN934	1	
210	1088130102	Cable tie	12	
215	1088080326	Grommet	1	

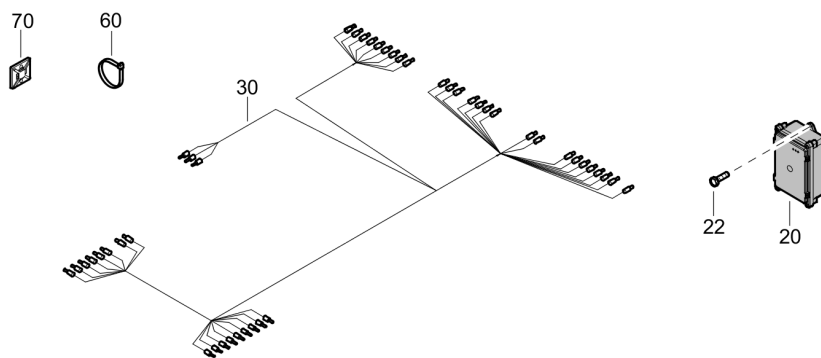
Options 1611779114_05 COSMOS MK II



Refer to the Parts Online web page for most up-to-date information. The printed information might be outdated.

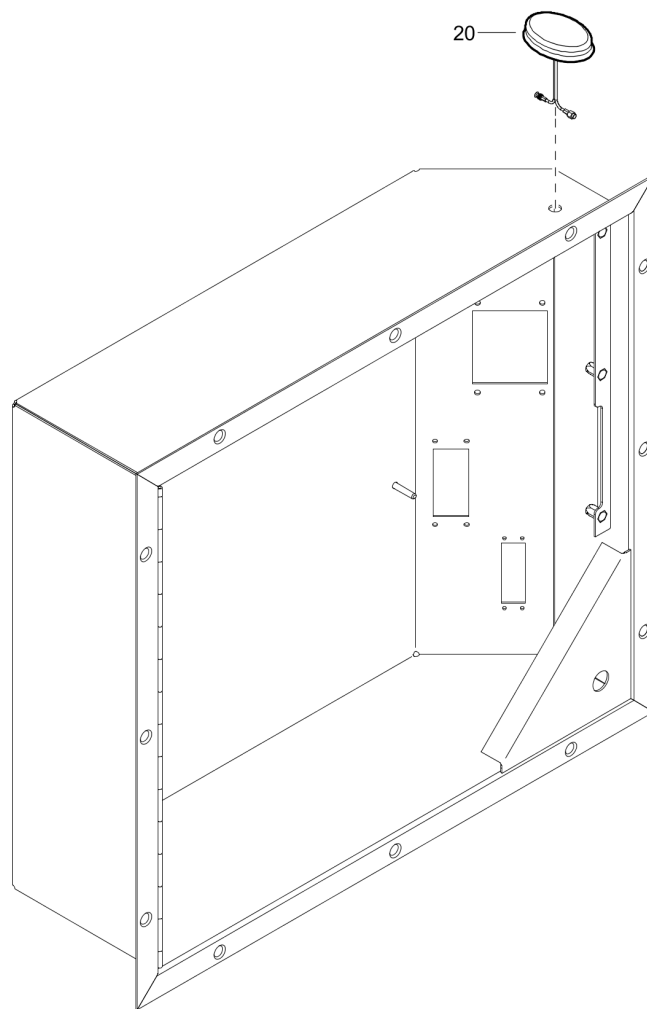
Item	Part No.	Name	Qty	L
20	1604794502	Base module	1	
22	0147120603	Screw	2	
30	1626404401	WIRING	1	
50	1626359201	SUPPORT	1	
52	1619276600	Screw DIN933	2	
60	1088130102	Cable tie	0	
70	1088130502	Cabletie anchor	1	

Options 1611778114_04 COSMOS MK II



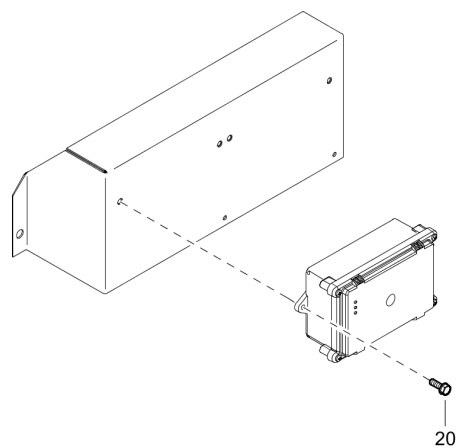
Item	Part No.	Name	Qty	L
20	1604894502	COSMOS MK II JASPER	1	
22	0147120603	Screw	2	
30	1626404401	WIRING	1	
60	1088130102	Cable tie	0	
70	1088130502	Cabletie anchor	1	

Options 1611777800_00 COSMOS MK II NO SATELLITE



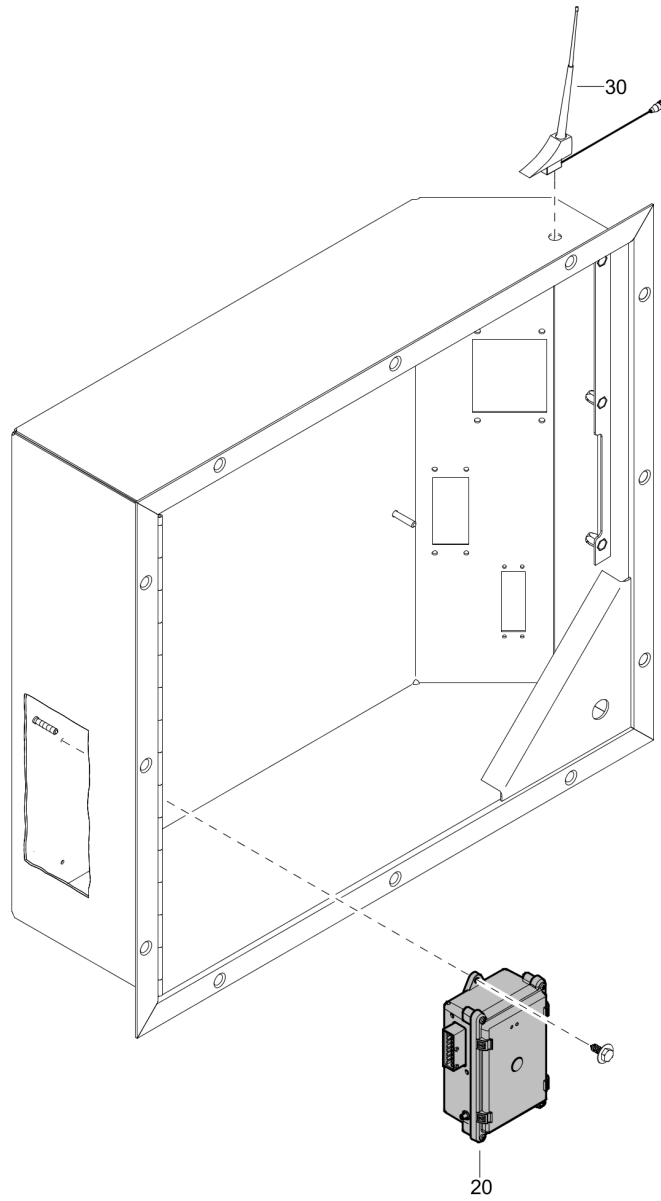
Item	Part No.	Name	Qty	L
20	1626441800	Antenna	1	

Options 1611777400_00 COSMOS MK II



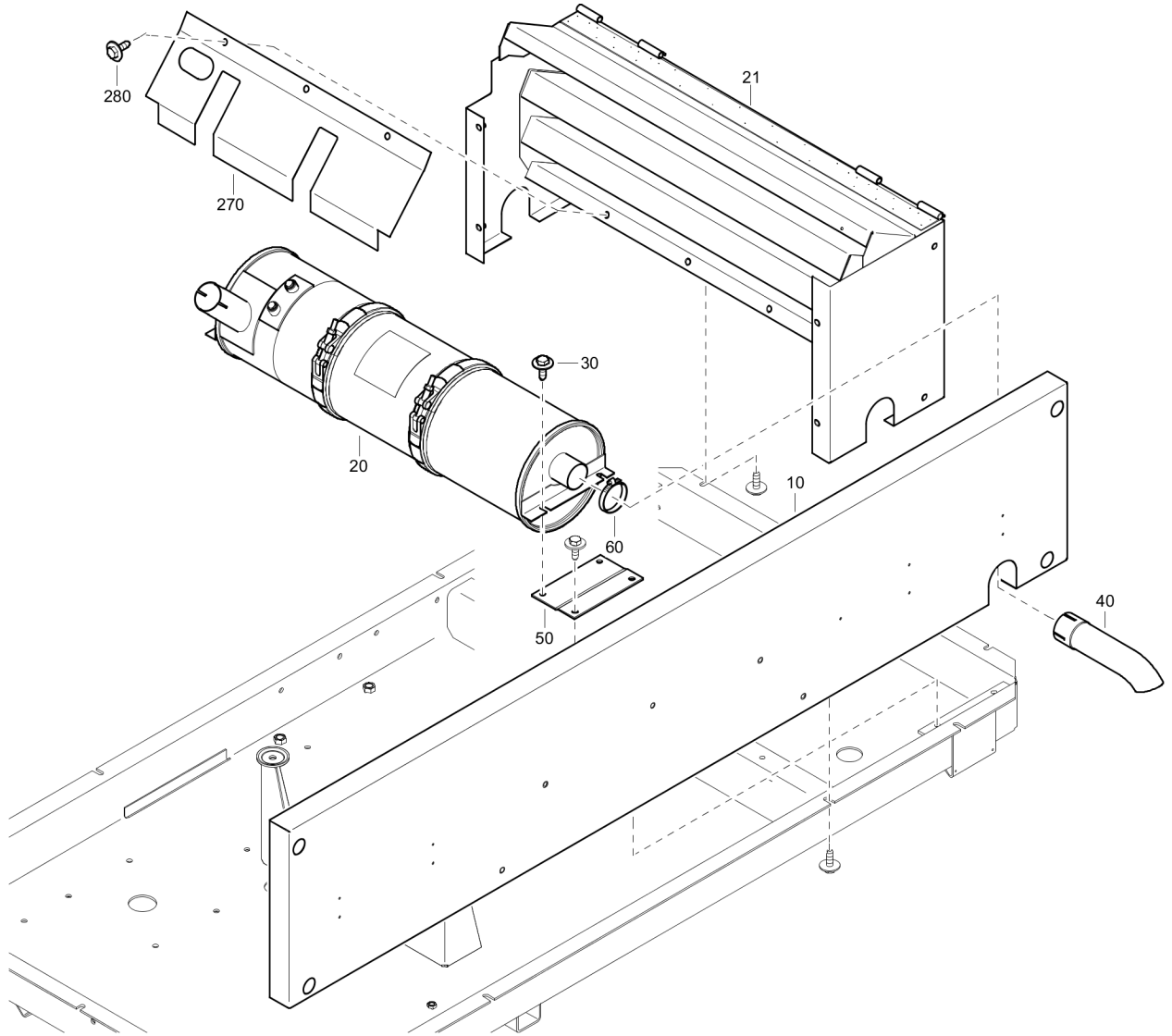
Item	Part No.	Name	Qty	L
20	1619298400	Scr.bolt	2	

Options 1611777700_00 ANTENNA-COSMOS MK II SATELLITE



Item	Part No.	Name	Qty	L
20	1604994500	COSMOS MK II	1	
30	1089959393	ANTENNA	1	

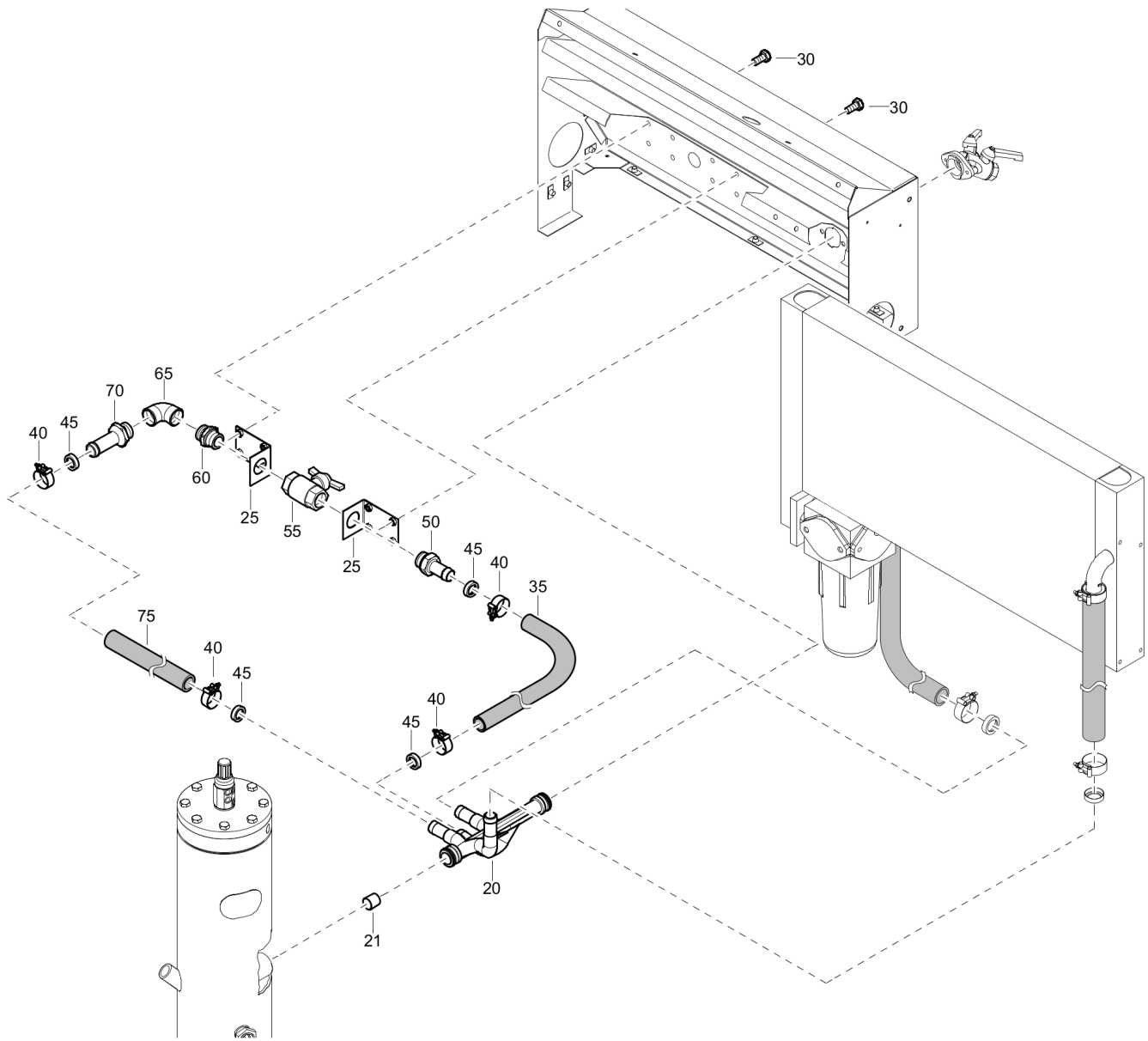
Options 1611807814_04 PARTICLE FILTER



Refer to the Parts Online web page for most up-to-date information. The printed information might be outdated.

Item	Part No.	Name	Qty	L
10	1604835240	SIDE PANEL	1	
20	1604580102	Part. filter with catalyst	1	
21	1626124581	Baffle assy	1	
30	1615566400	Screw type	2	
40	1604602900	EXHAUST	1	
50	1604603000	Plate	1	
60	0346300108	Clamp	1	
270	1604835256	Plate	1	
280	1604342300	Scraper bolt	3	

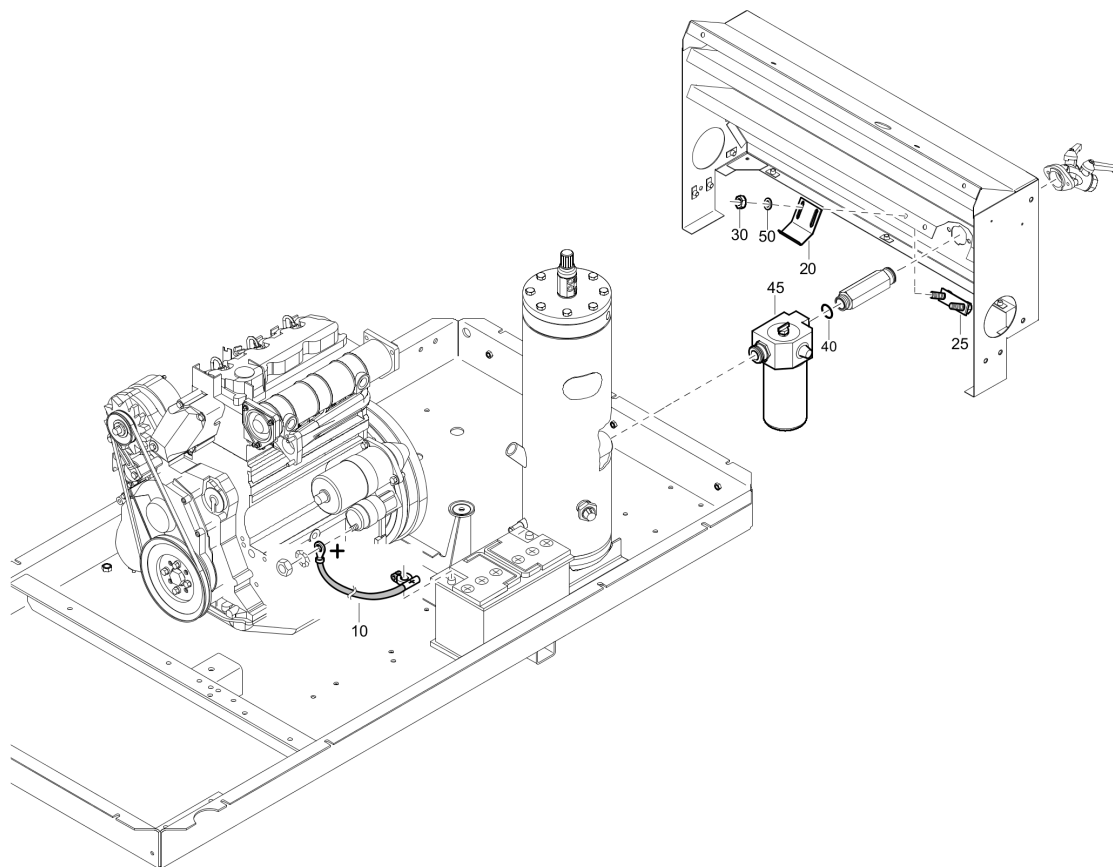
Options 1611866514_04 BYPASS AFTERCOOLER



Refer to the Parts Online web page for most up-to-date information. The printed information might be outdated.

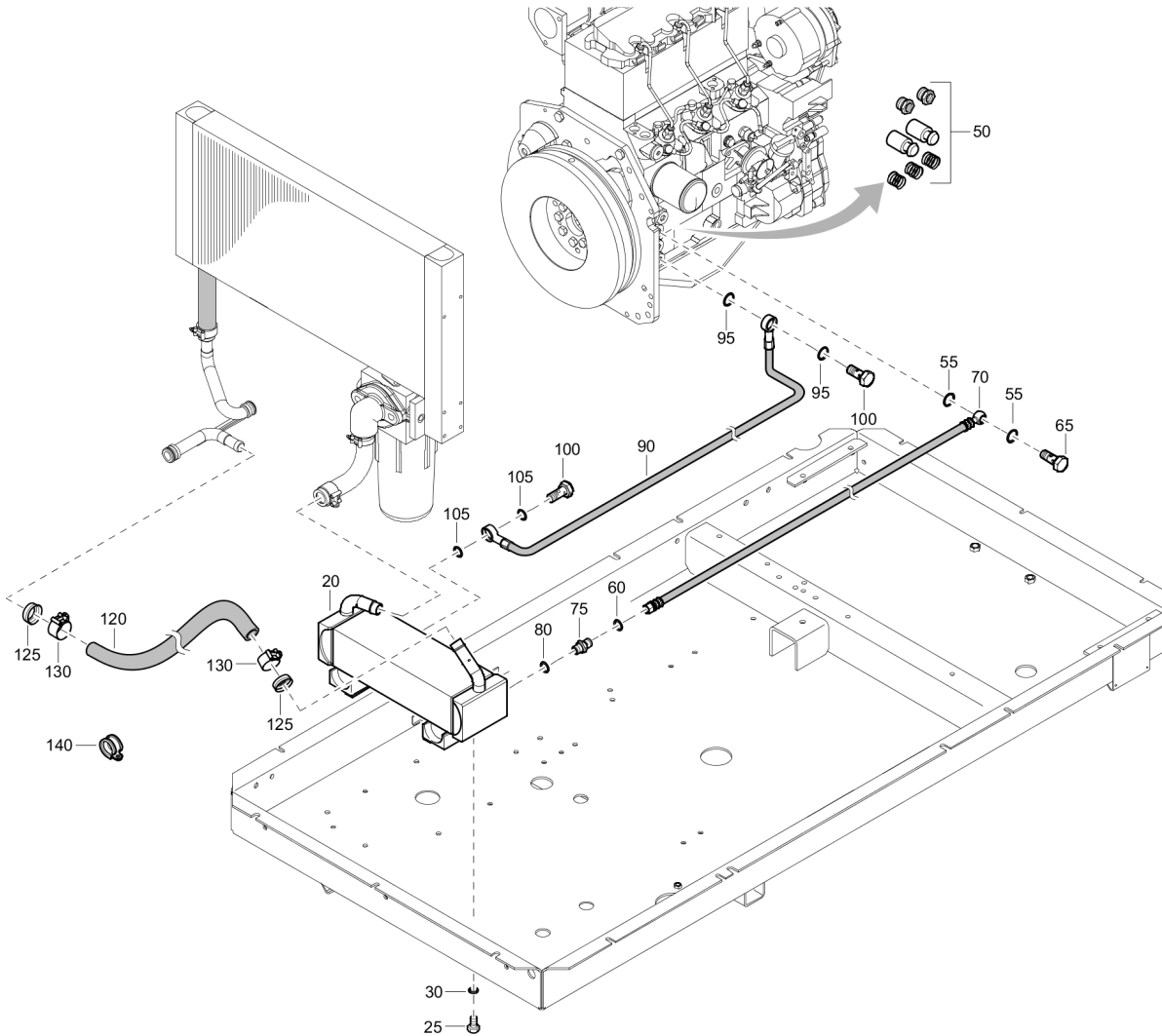
Item	Part No.	Name	Qty	L
20	1604590100	Pipe	1	
21	1615861601	Restrictor	1	
25	1604590000	Bracket	2	
30	0147132203	Screw DIN 933	8	
35	0072840339	Hose	AR	
40	1079347101	Hose clip	4	
45	1615862700	Sleeve	4	
50	1626087400	Hose nipple	1	
55	0852001047	Ball valve	1	
60	0571003509	Fitting	1	
65	0560020024	Elbow	1	
70	9000024600	Hose nipple	1	
75	0072840339	Hose	AR	

Options 1611865114_10 LUBRICATOR



Item	Part No.	Name	Qty	L
10	1615772501	Ttery cable	1	
20	1604575902	Bracket	1	
25	1604576000	Bracket	1	
30	0266211000	Nut DIN934	2	
40	0663210820	O-ring	1	
45	1615858485	Lubricator assembly	1	
50	0301233500	Washer DIN125	2	

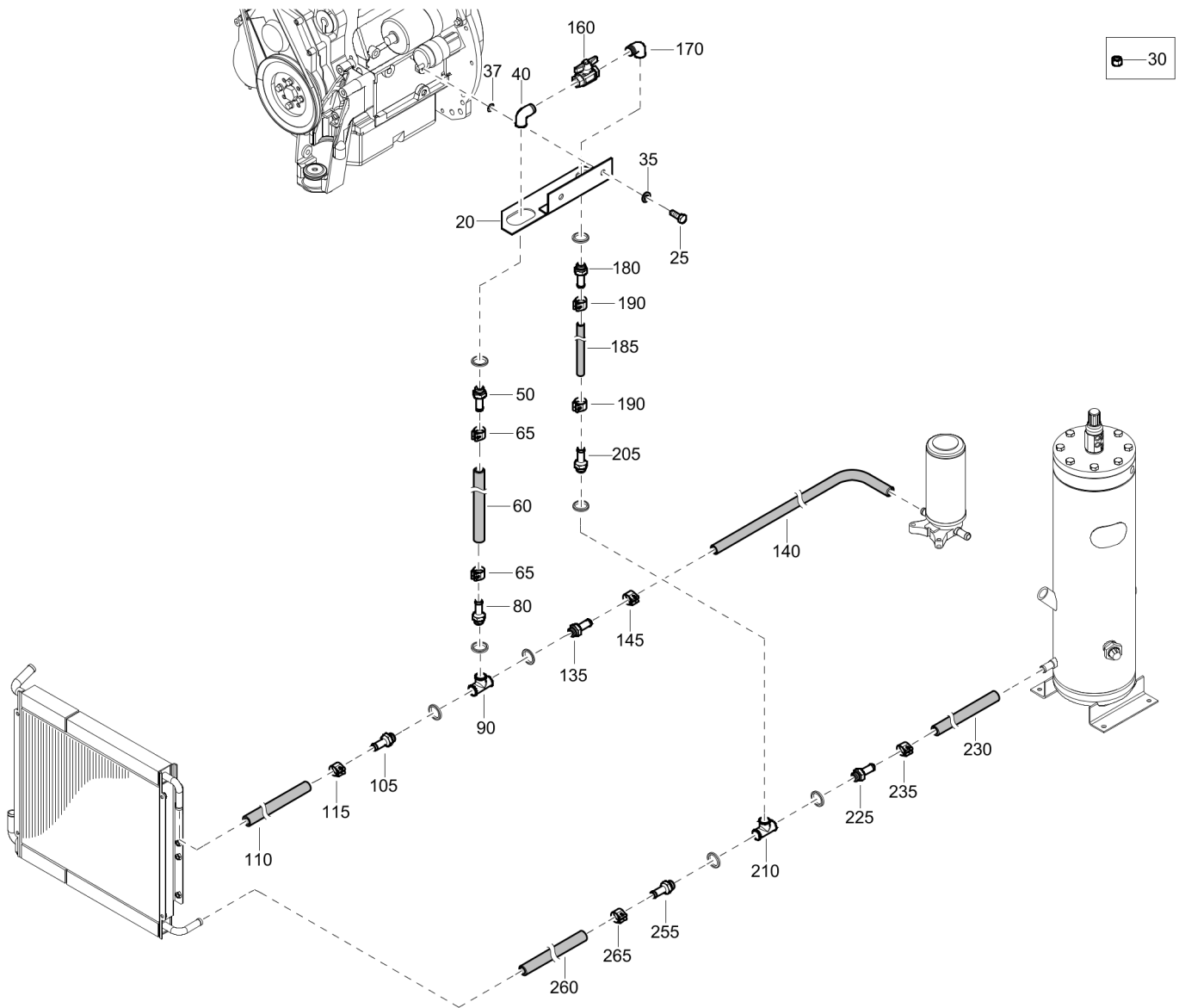
Options 1611867514_05 REHEATER



Refer to the Parts Online web page for most up-to-date information. The printed information might be outdated.

Item	Part No.	Name	Qty	L
20	1615858201	Reheater	1	
25	0147132003	Hexagon bolt	4	
30	0653104600	Flat gasket	4	
50	1615862900	Engine access.	1	
55	0653114800	Flat gasket	2	
60	0653111500	Flat gasket	1	
65	0627421300	Pressure screw	1	
70	1604576500	Hose	1	
75	2250989000	Nipple	1	
80	0653111500	Flat gasket	1	
90	1604576600	Hose	1	
95	0653114800	Flat gasket	2	
100	0627421300	Pressure screw	2	
105	0653111500	Flat gasket	2	
120	0072840339	Hose	AR	
125	1615862700	Sleeve	2	
130	1079347101	Hose clip	2	
140	0346100015	Pipe clamp	1	

Options 1611867715_05 ANTI FROST DEVICE

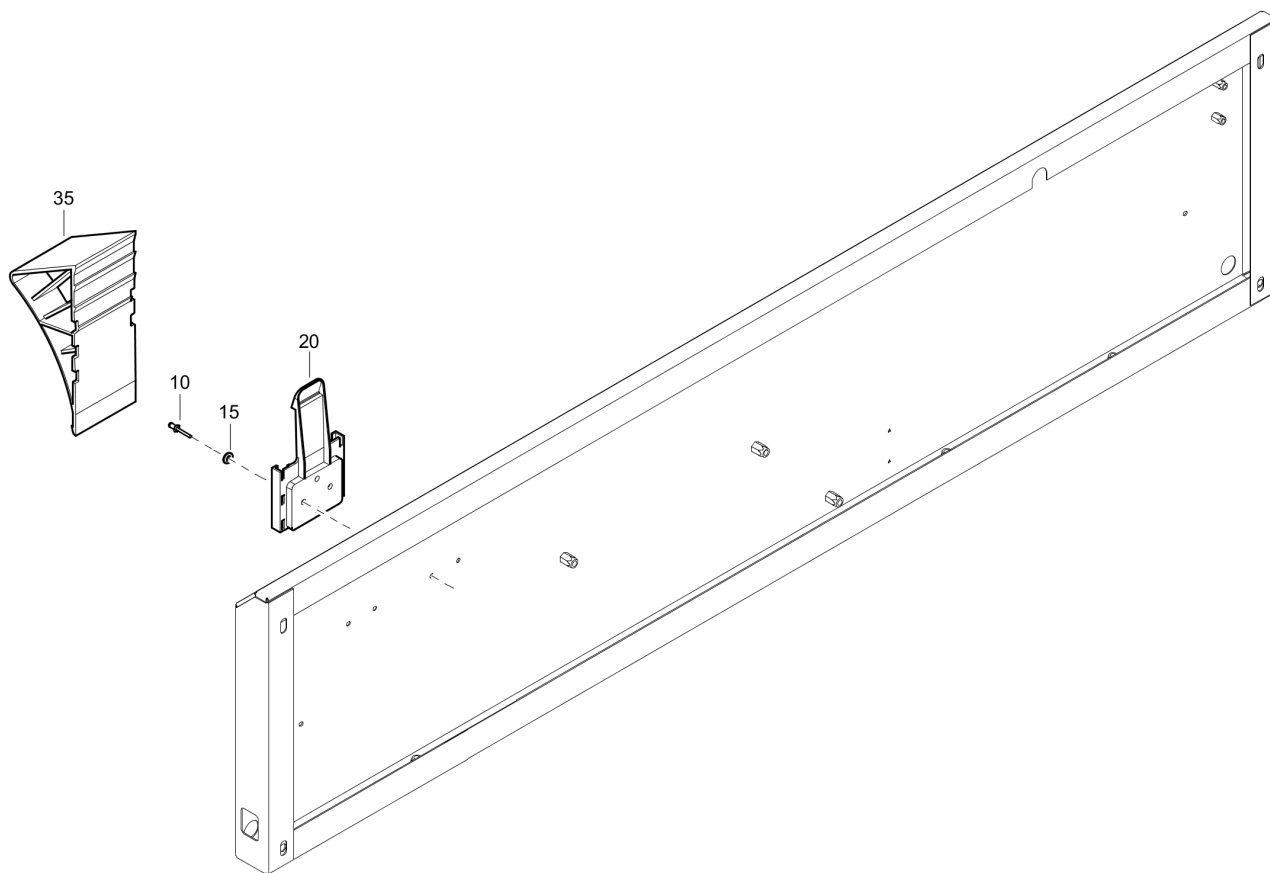


Refer to the Parts Online web page for most up-to-date information. The printed information might be outdated.

Item	Part No.	Name	Qty	L
20	1604582900	BRACKET	1	
25	0147124603	Hex. head screw	2	
30	0266210800	Nut DIN934	2	
35	0301232100	Washer DIN9021	2	
37	0333322000	Washer DIN6798a	2	
40	0560020023	Elbow	1	
50	1626586500	Nipple	1	
60	0072840316	Tube	AR	
65	0347620053	Clamp hose	2	
80	1626586500	Nipple	1	
90	0564000025	Tee	1	
105	1626586500	Nipple	1	
110	0072840316	Tube	AR	
115	0347620053	Clamp hose	1	
135	1626586500	Nipple	1	
140	0072840316	Tube	AR	
145	0347620053	Clamp hose	1	
160	1503225700	STOP VALVE	1	
170	0560020023	Elbow	1	
180	1626586500	Nipple	1	
185	0072840316	Tube	AR	
190	0347620053	Clamp hose	2	
205	1626586500	Nipple	1	
210	0564000025	Tee	1	
225	1626586500	Nipple	1	
230	0072840316	Tube	AR	
235	0347620053	Clamp hose	1	
255	1626586500	Nipple	1	
260	0072840316	Tube	AR	
265	0347620053	Clamp hose	1	

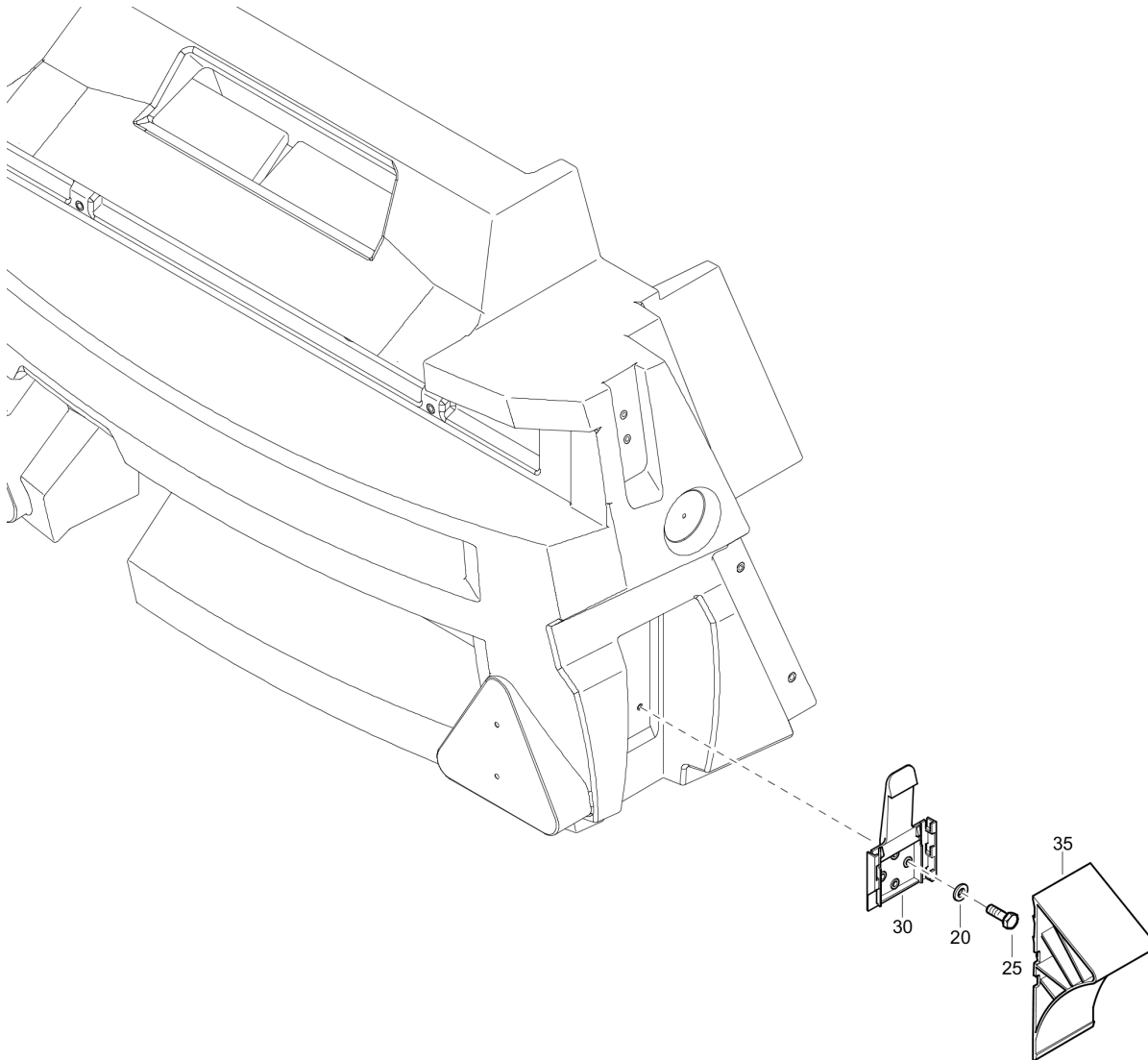
Refer to the Parts Online web page for most up-to-date information. The printed information might be outdated.

Options 1611869012_01 Wheelchocks



Item	Part No.	Name	Qty	L
10	0129317700	Blind rivet	4	
15	0301232100	Washer DIN9021	4	
20	1613544000	Bracket	2	
35	1613543900	Wheelchock	2	
50	1079990254	Decal	1	

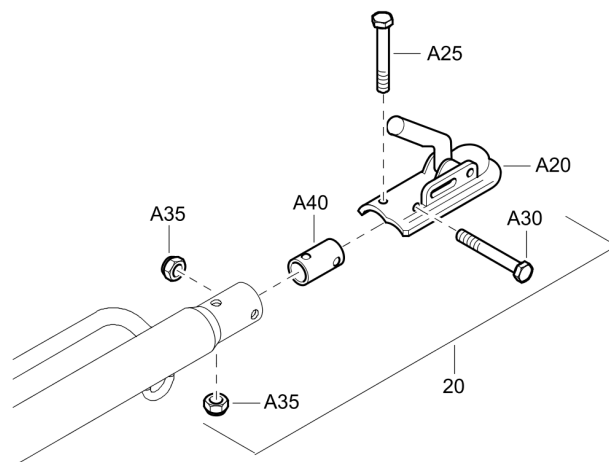
Options 1611869014_00 Wheelchocks



Refer to the Parts Online web page for most up-to-date information. The printed information might be outdated.

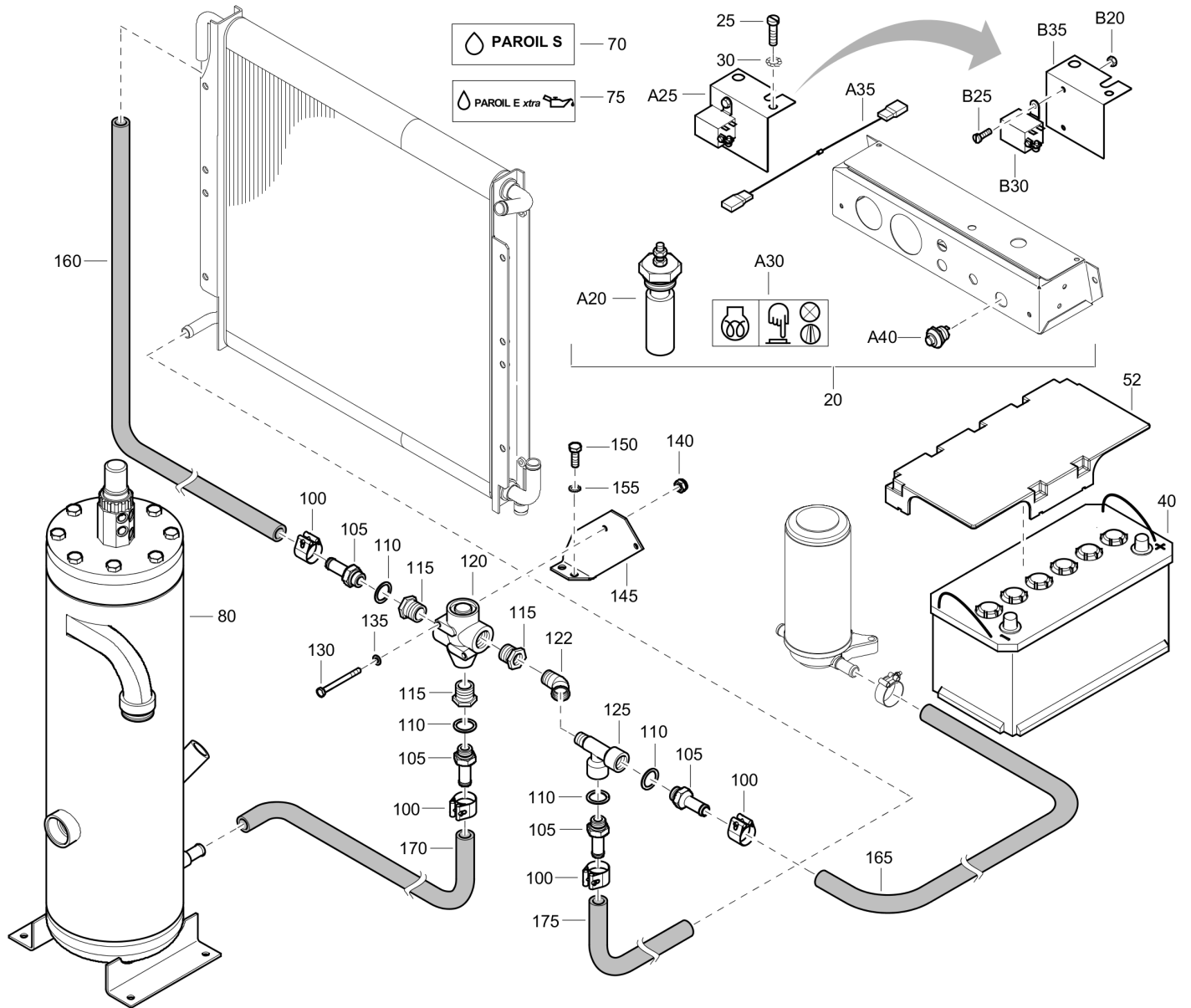
Item	Part No.	Name	Qty	L
20	0301231800	Washer DIN125	4	
25	0147120503	Screw DIN933	4	
30	1613544000	Bracket	2	
35	1613543900	Wheelchock	2	

Options 1611870818_04 Ball coupling



Item	Part No.	Name	Qty	L
20	1619682680	BALL COUPLING	1	
A20	1619682600	Ball coupling	1	
A25	0147141003	Hexagon bolt	1	
A30	0147141103	Bolt	1	
A35	0291111200	Nut DIN985	2	
A40	1202973200	Bush	1	

Options 1611877214_27 COLD START XAS 97 DD

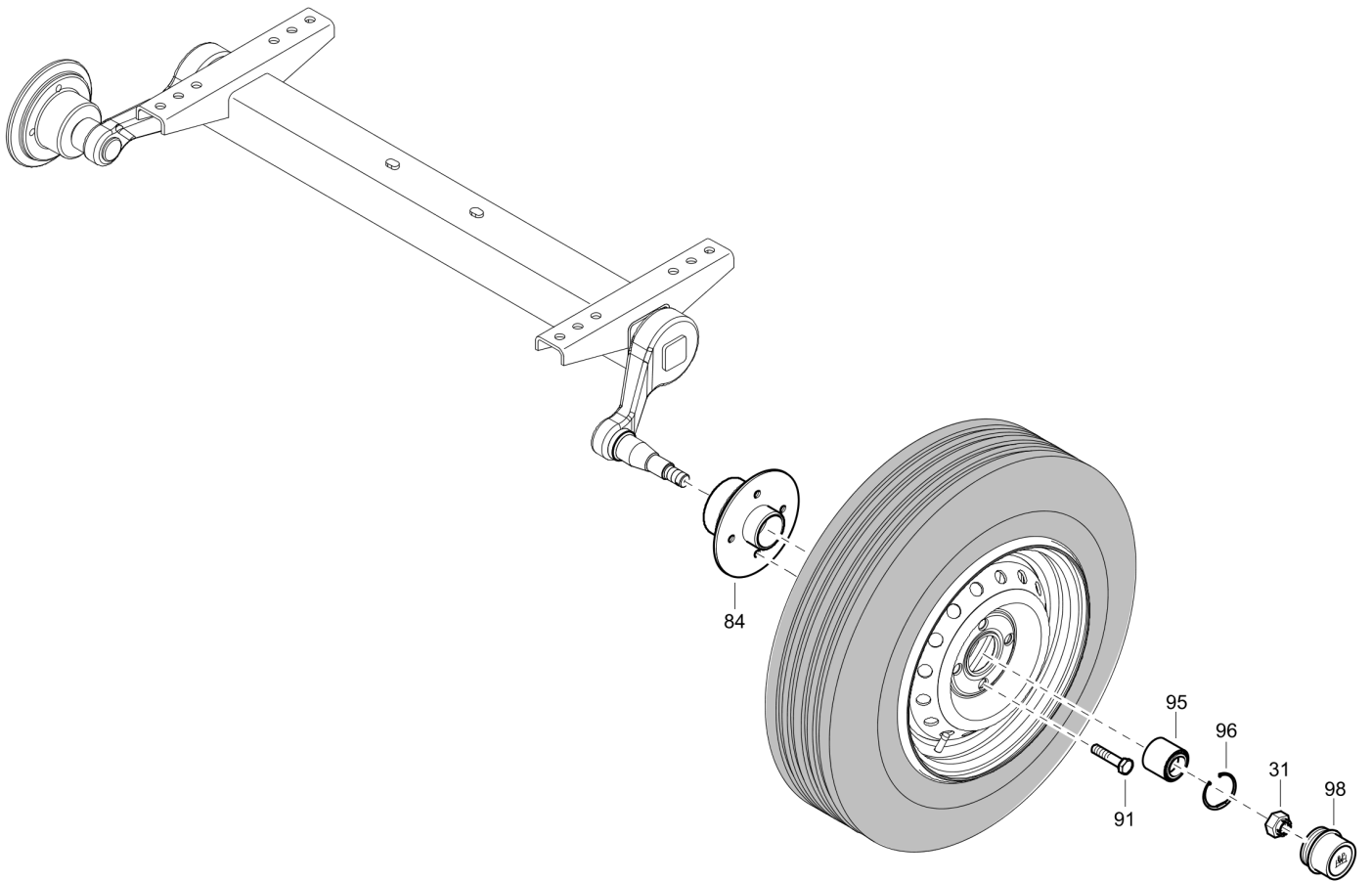


Refer to the Parts Online web page for most up-to-date information. The printed information might be outdated.

Item	Part No.	Name	Qty	L
20	1615910784	Cold start ac	1	
A20	1310031376	Heater plug	1	
A25	1604085682	Relay assy	1	
B20	0266210700	Hexagon nut	2	
B25	0160605900	Screw	2	
B30	1089047503	Relay	1	
B35	1604085601	BRACKET	1	
A30	1079991998	Information label	1	
A35	1604583600	Wiring	1	
A40	1089932601	Push button	1	
25	0160606200	Slotted screw	2	
30	0333321500	Lock washer	2	
40	0975830015	Battery	1	
52	1604782400	Battery cover	1	
60	0017530001	Paroil s	AR	
70	1079992000	Information label	1	
75	1079993024	Label	1	
80	1604402292	Vessel	1	
100	0347620053	Clamp hose	4	
105	1626586500	Nipple	4	
110	0661103300	Sealing washer	4	
115	0605830050	Bushing	3	
120	1612423000	Thermost.valve	1	
122	0560020034	Angle	1	
125	0560440086	Tee	1	
130	0147125603	Hex. head screw	2	
135	0301232100	Washer DIN9021	2	
140	0291110800	Locknut	2	
145	1604576302	Bracket	1	
150	0147132303	Screw DIN933	2	
155	0333322700	Lock washer	2	
160	0072840316	Tube	AR	
165	0072840316	Tube	AR	
170	0072840316	Tube	AR	
175	0072840316	Tube	AR	

Refer to the Parts Online web page for most up-to-date information. The printed information might be outdated.

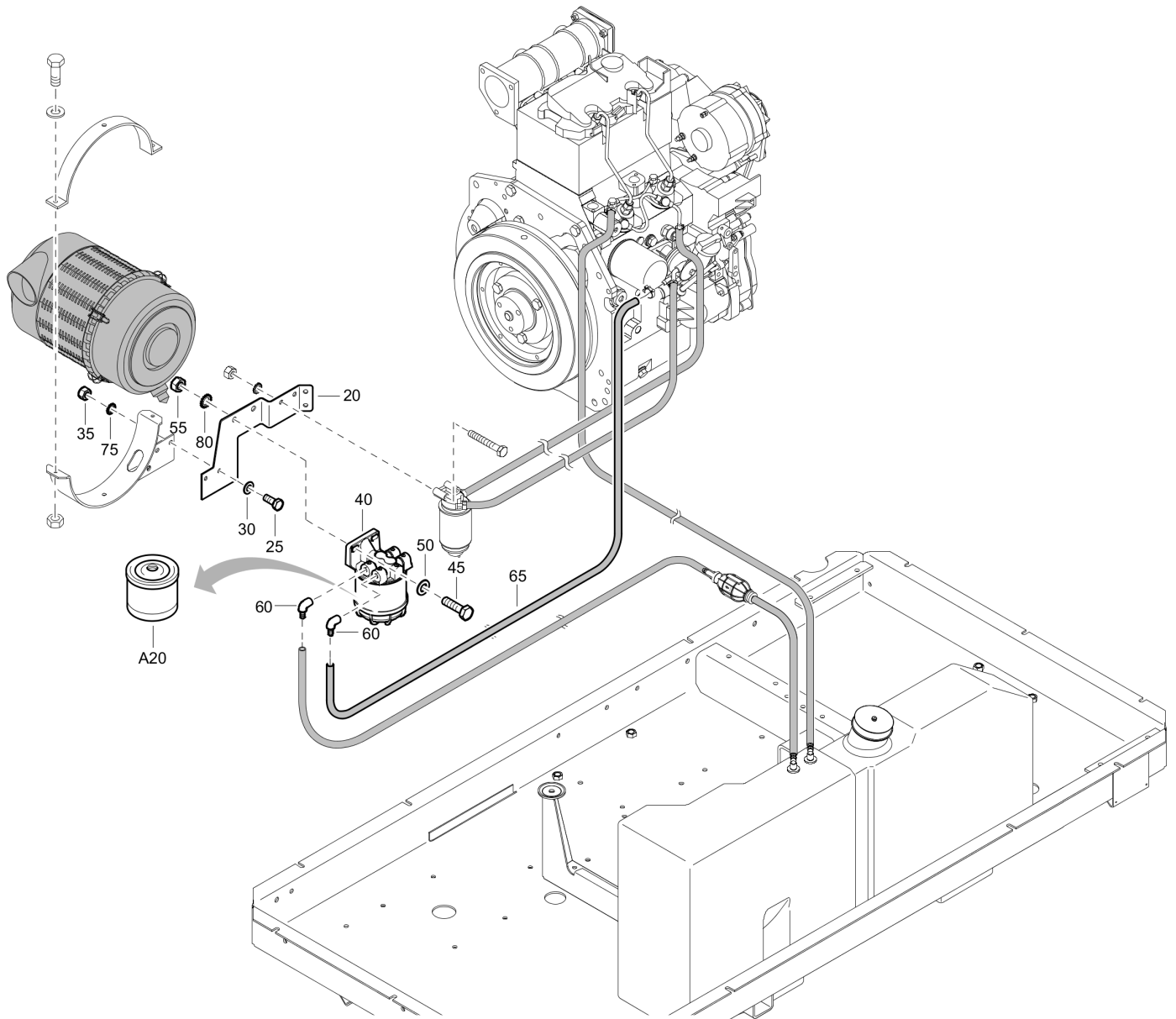
Options 1604380200_01 Axel without brakes



Refer to the Parts Online web page for most up-to-date information. The printed information might be outdated.

Item	Part No.	Name	Qty	L
31	2914037300	Nut	2	
84	2914015400	Hub	2	
91	2914011900	Bolt	8	
95	2914012900	Bearing	2	
96	2914012500	Circlips	2	
98	2914013000	Cap	2	

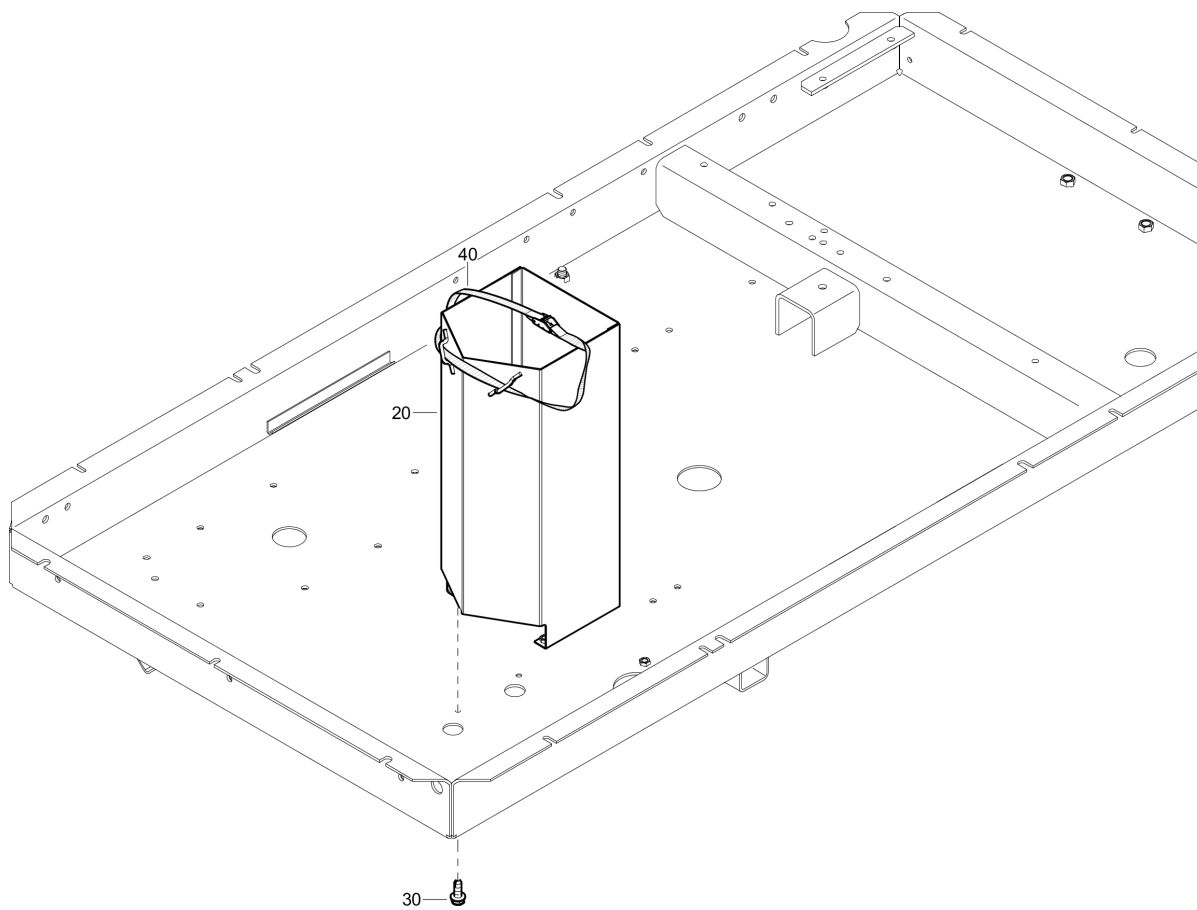
Options 1611704414_01 ADDITIONAL FUELFILTER SERIES7



Refer to the Parts Online web page for most up-to-date information. The printed information might be outdated.

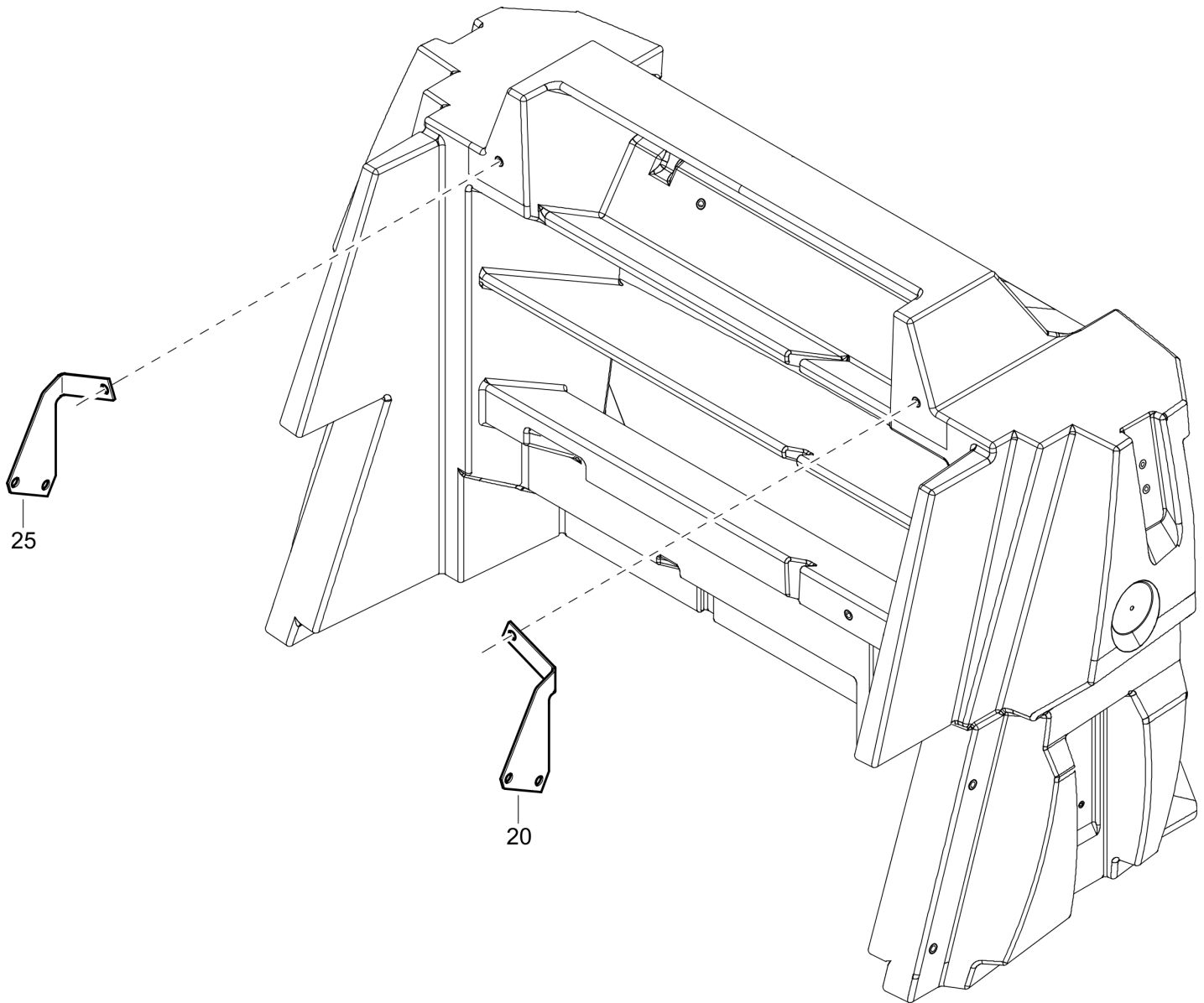
Item	Part No.	Name	Qty	L
20	1626012600	SUPPORT	1	
25	0147132203	Screw DIN 933	2	
30	0301233500	Washer DIN125	2	
35	0266211000	Nut DIN934	2	
40	1615892900	Fuel filter	1	
A20	2914809200	Fuel filter	1	
45	0147136303	Screw DIN933	2	
50	0301234400	Washer DIN125	2	
55	0266211100	Nut	2	
60	1615893300	Hose nipple	2	
65	0071840248	Fuel hose	AR	
75	0333323200	Lock washer	2	
80	0333322700	Lock washer	2	

Options 1611808814_00 TOOL BOX DDG



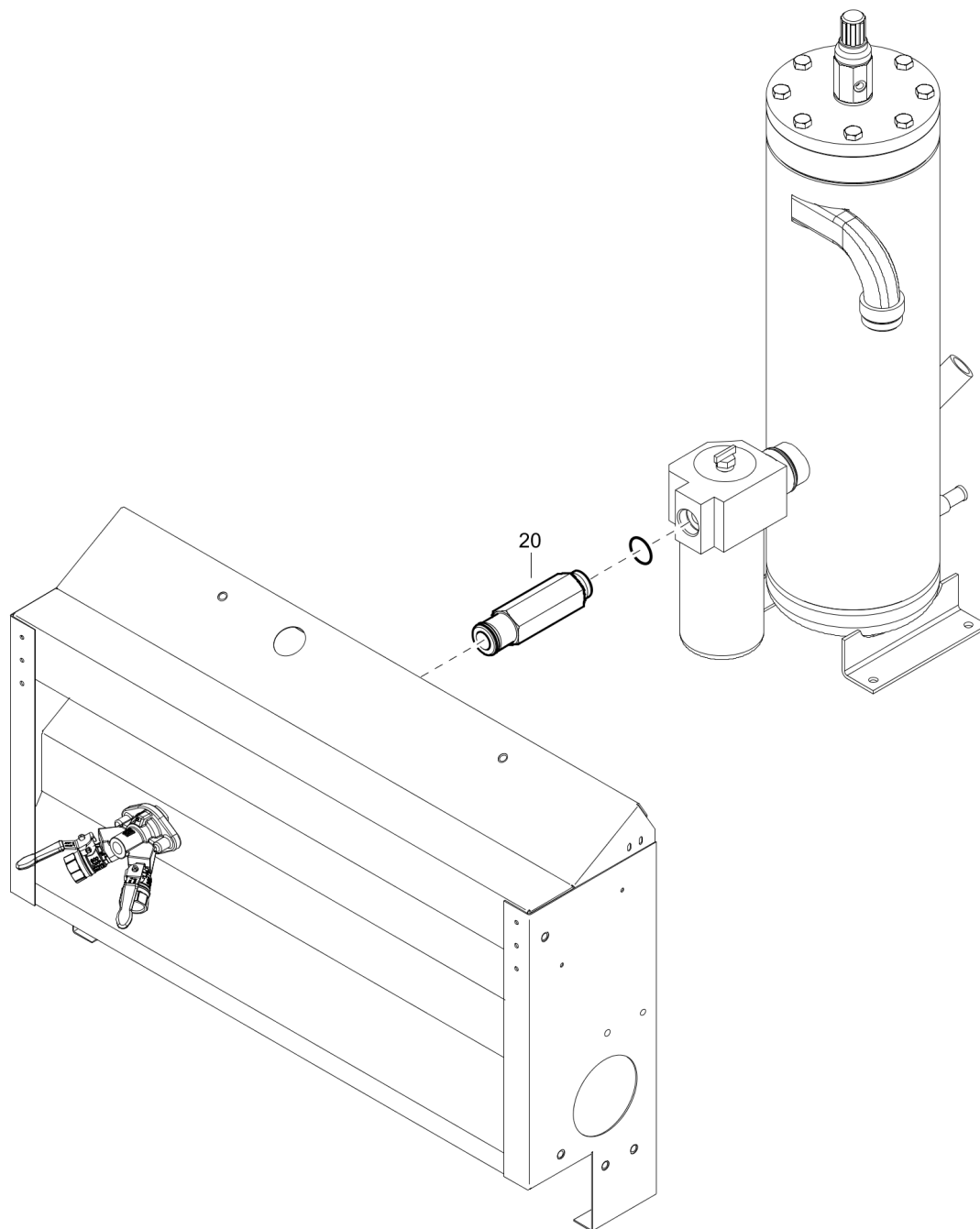
Item	Part No.	Name	Qty	L
20	1604834400	TOOLBOX	1	
30	1619276600	Screw DIN933	4	
40	1615912100	BAND	1	

Options 1611837714_00 Brackets for aftercooler with hardhat



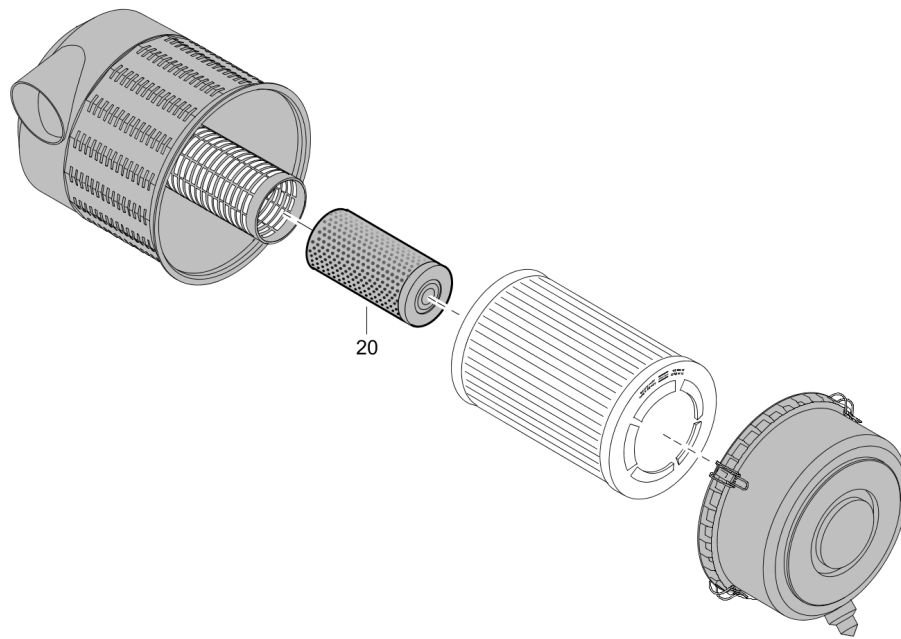
Item	Part No.	Name	Qty	L
20	1604617001	BRACKET	1	
25	1604617101	BRACKET	1	

Options 1611838214_00 Restrictor - For compressor with lubricator



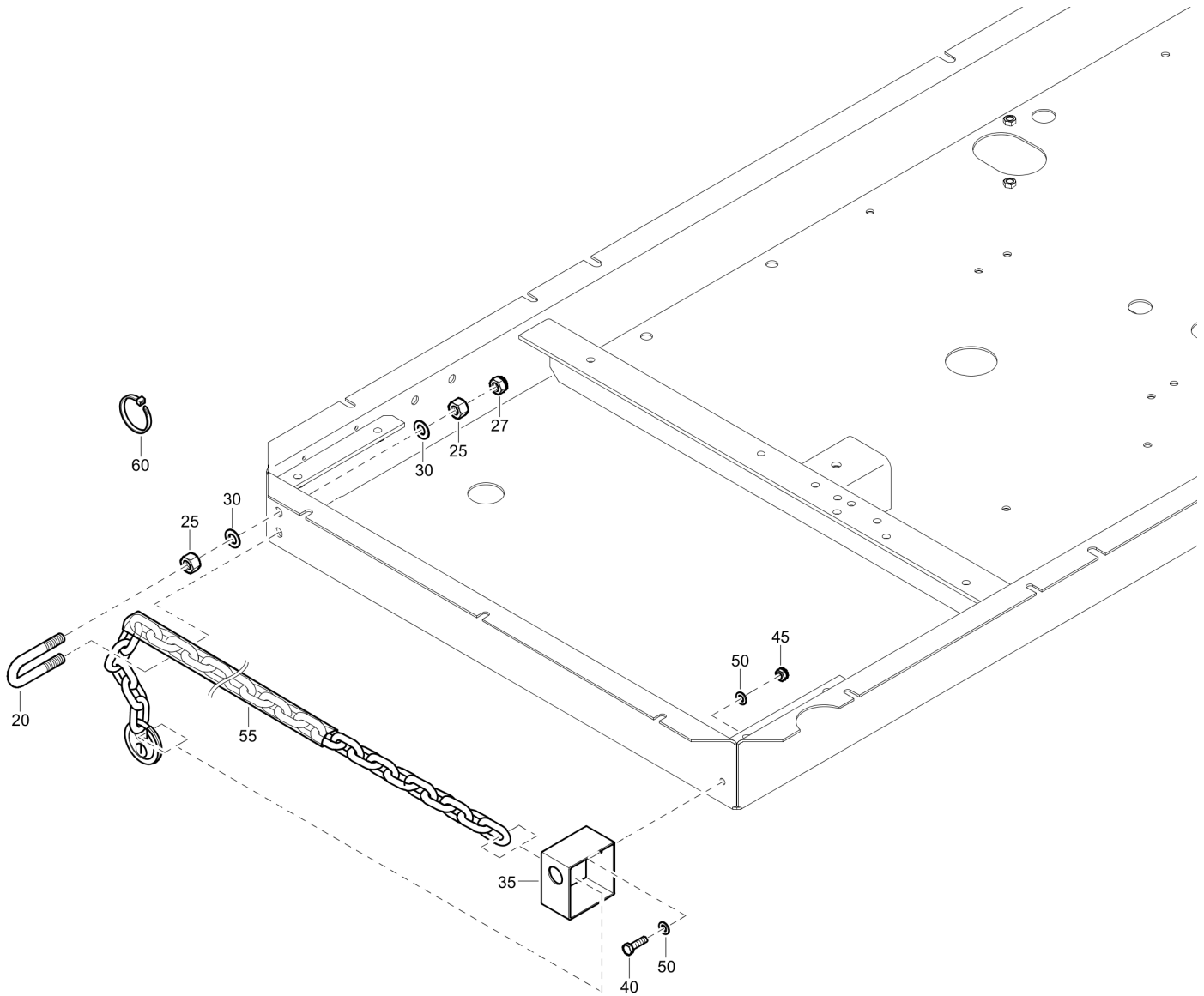
Item	Part No.	Name	Qty	L
20	1604381902	Nipple	1	

Options 1611840029_00 SAFETY CARTRIDGE



Item	Part No.	Name	Qty	L
20	2914931100	Compressor filter safety element	1	

Options 1611844014_04 Anti theft

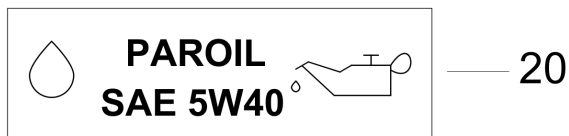


Refer to the Parts Online web page for most up-to-date information. The printed information might be outdated.

Item	Part No.	Name	Qty	L
20	1604544302	Fastener	1	
25	0266113802	Nut	2	
27	0291111200	Nut DIN985	2	
30	0300027602	Washer	4	
35	1604544400	Bracket	1	
40	0147132503	Hex. head screw	1	
45	0291111000	Locknut	1	
50	0301233500	Washer DIN125	2	
55	1604678300	Safety chain	1	
60	1088130102	Cable tie	1	

Refer to the Parts Online web page for most up-to-date information. The printed information might be outdated.

Options 1611845114_00 Engine oil cold start



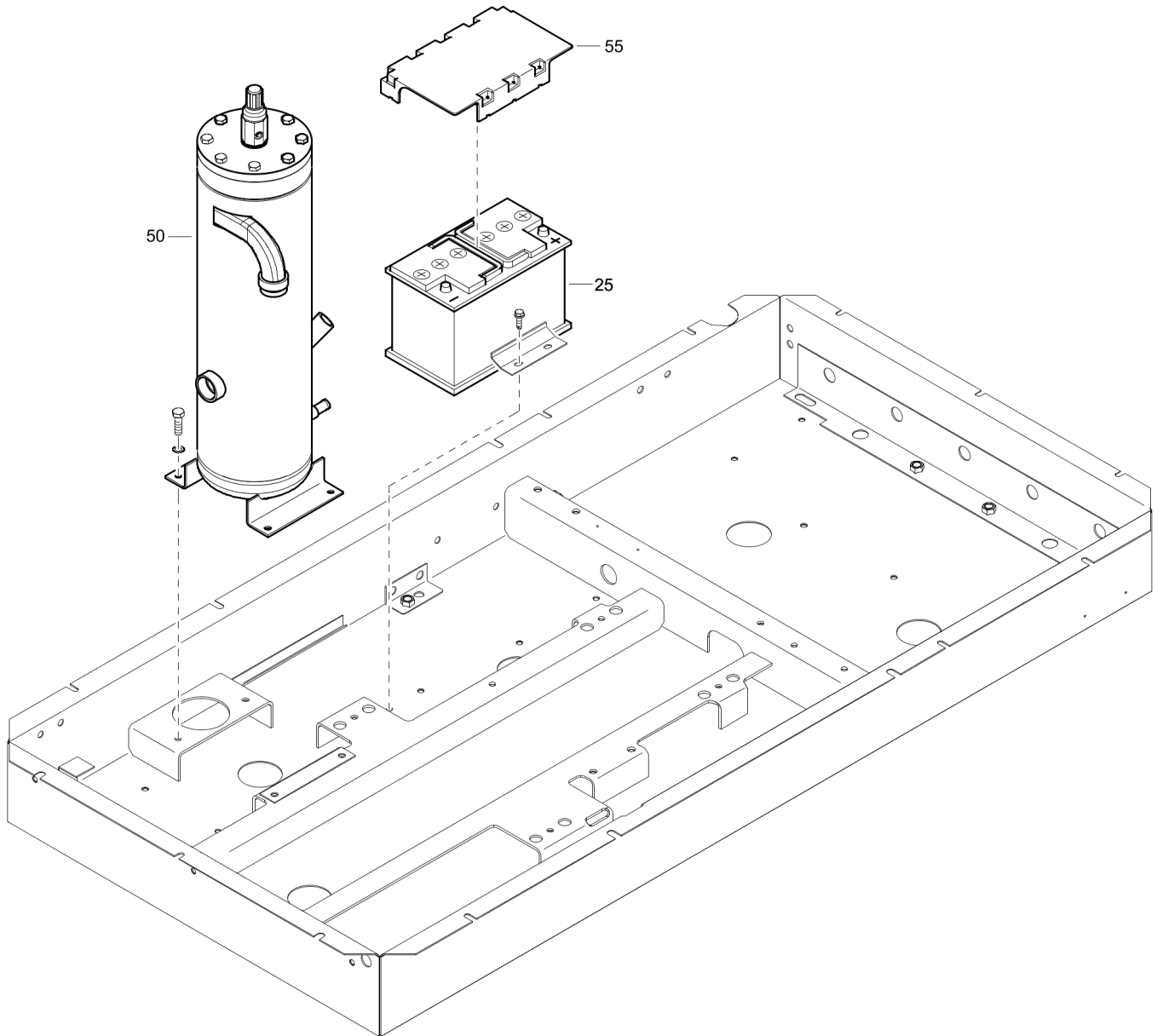
Item	Part No.	Name	Qty	L
20	1079992045	Information label	1	

Options 1611845214_00 ENGINE OIL PART. FILTER



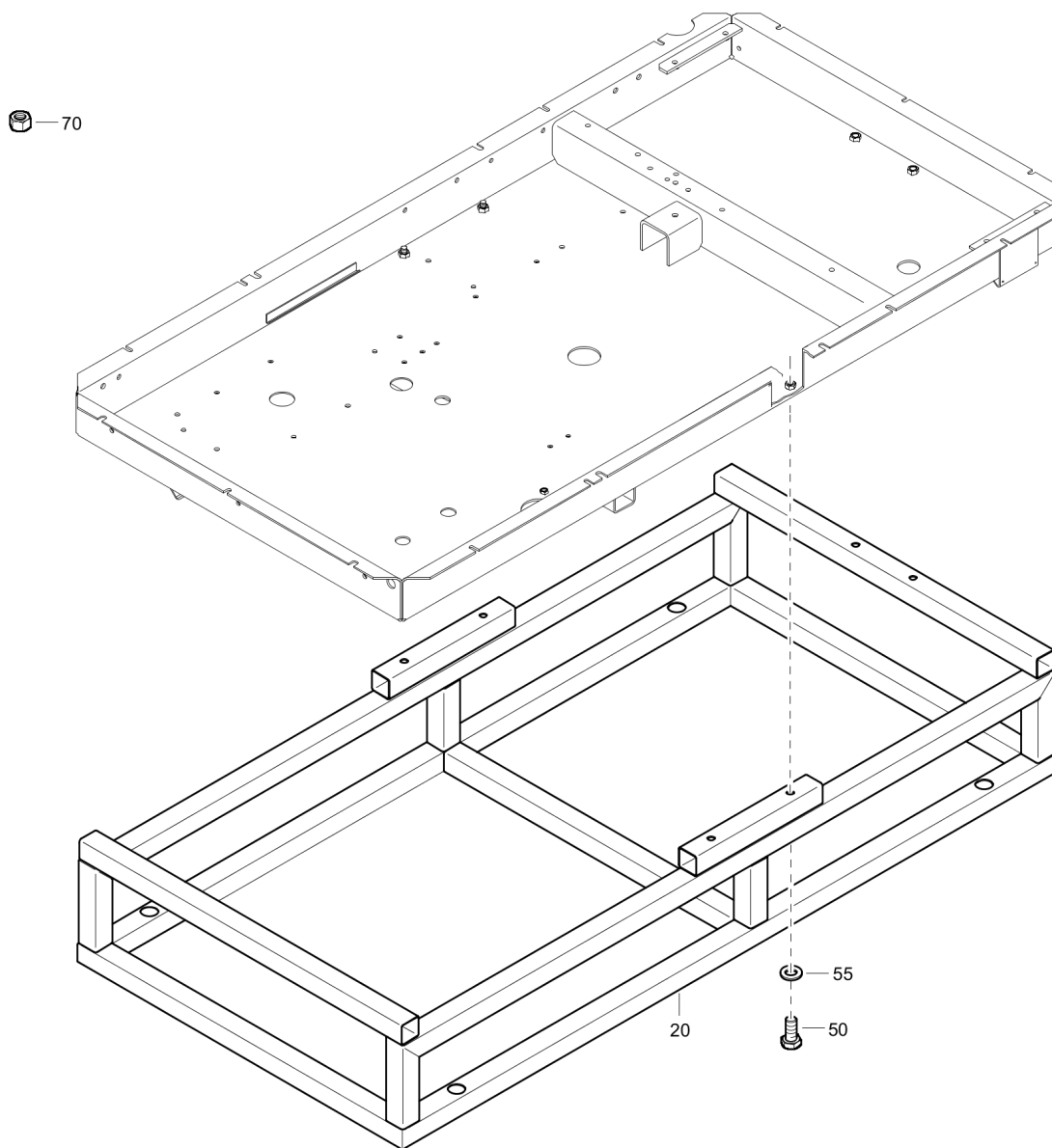
Item	Part No.	Name	Qty	L
20	1079992045	Information label	1	

Options 1611849814_02 VESSEL SERIE7 MOM/AS1210



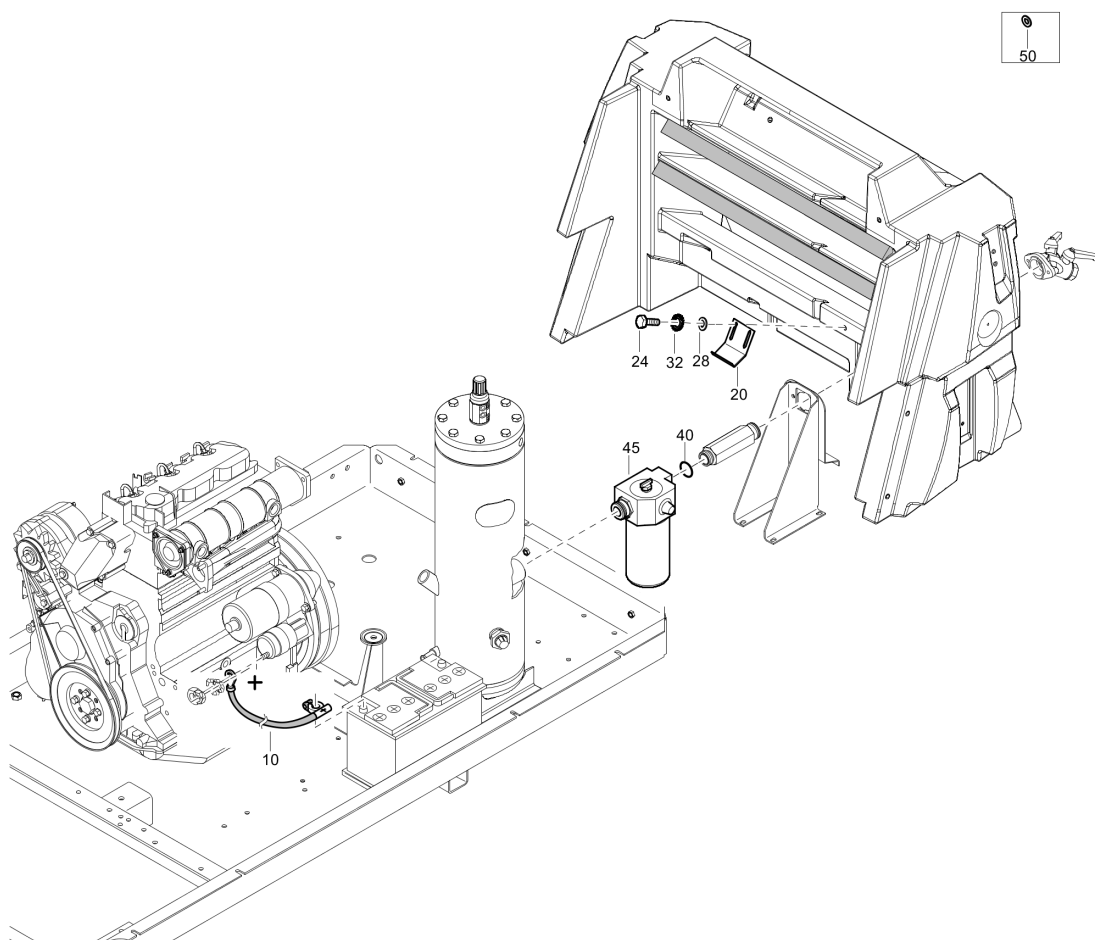
Item	Part No.	Name	Qty	L
25	0926540006	Battery	1	
50	1626677180	Separator assy	1	
55	1604782200	Battery cover	1	

Options 1611864914_02 SUPPORT-FOR SUPPORT MOUNTED COMPRESSOR



Item	Part No.	Name	Qty	L
20	1604532000	Support	1	
50	0147140015	Hex. Head screw	2	
55	0301235800	Washer	4	
70	0266211200	Hexagon nut	4	

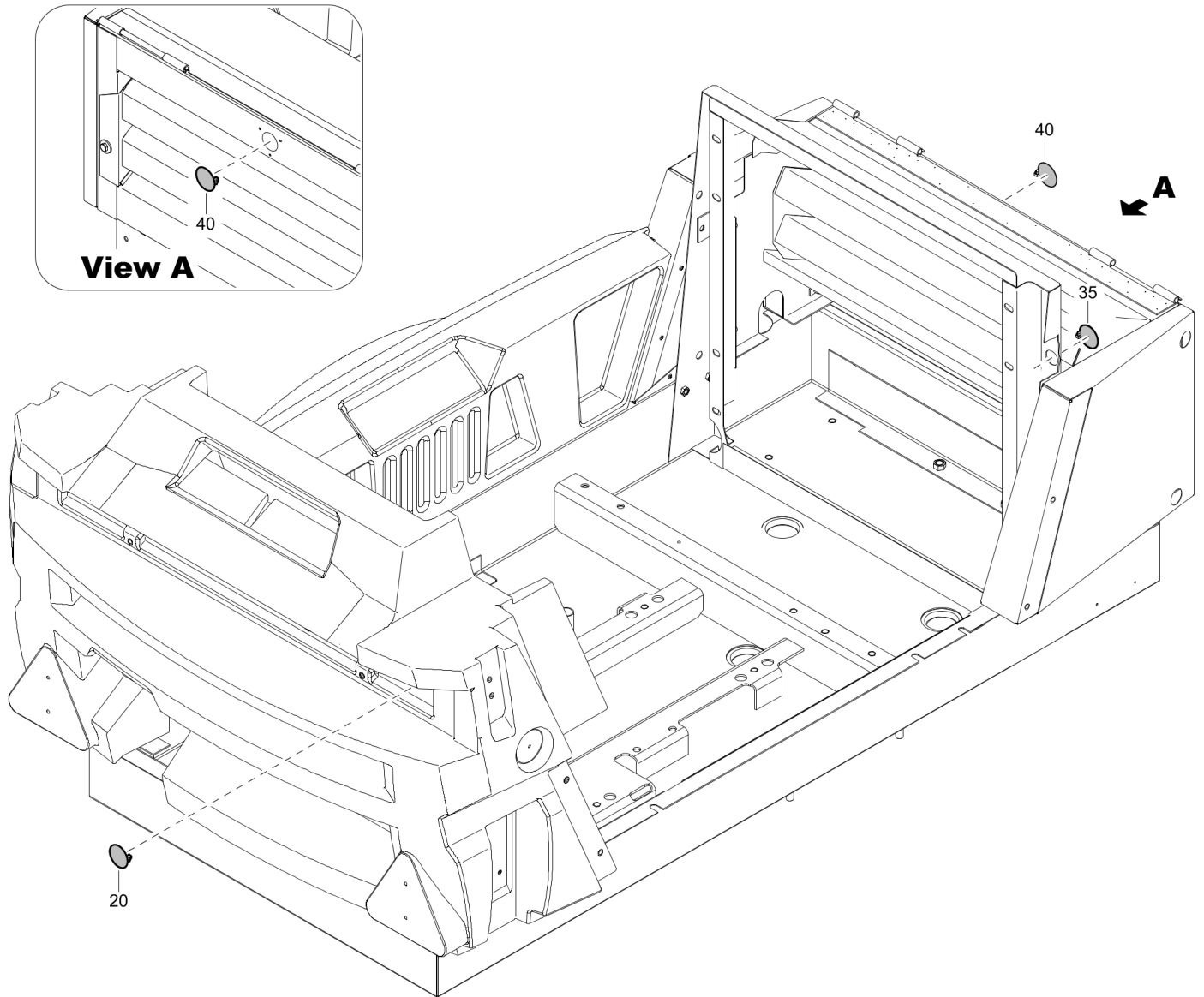
Options 1611866714_03 LUBRICATOR



Item	Part No.	Name	Qty	L
10	1615772501	Ttery cable	1	
20	1604575902	Bracket	1	
24	0147132503	Hex. head screw	1	
28	0301233500	Washer DIN125	1	
32	0333322700	Lock washer	1	
40	0663210820	O-ring	1	
45	1615858485	Lubricator assembly	1	
50	0301233500	Washer DIN125	2	

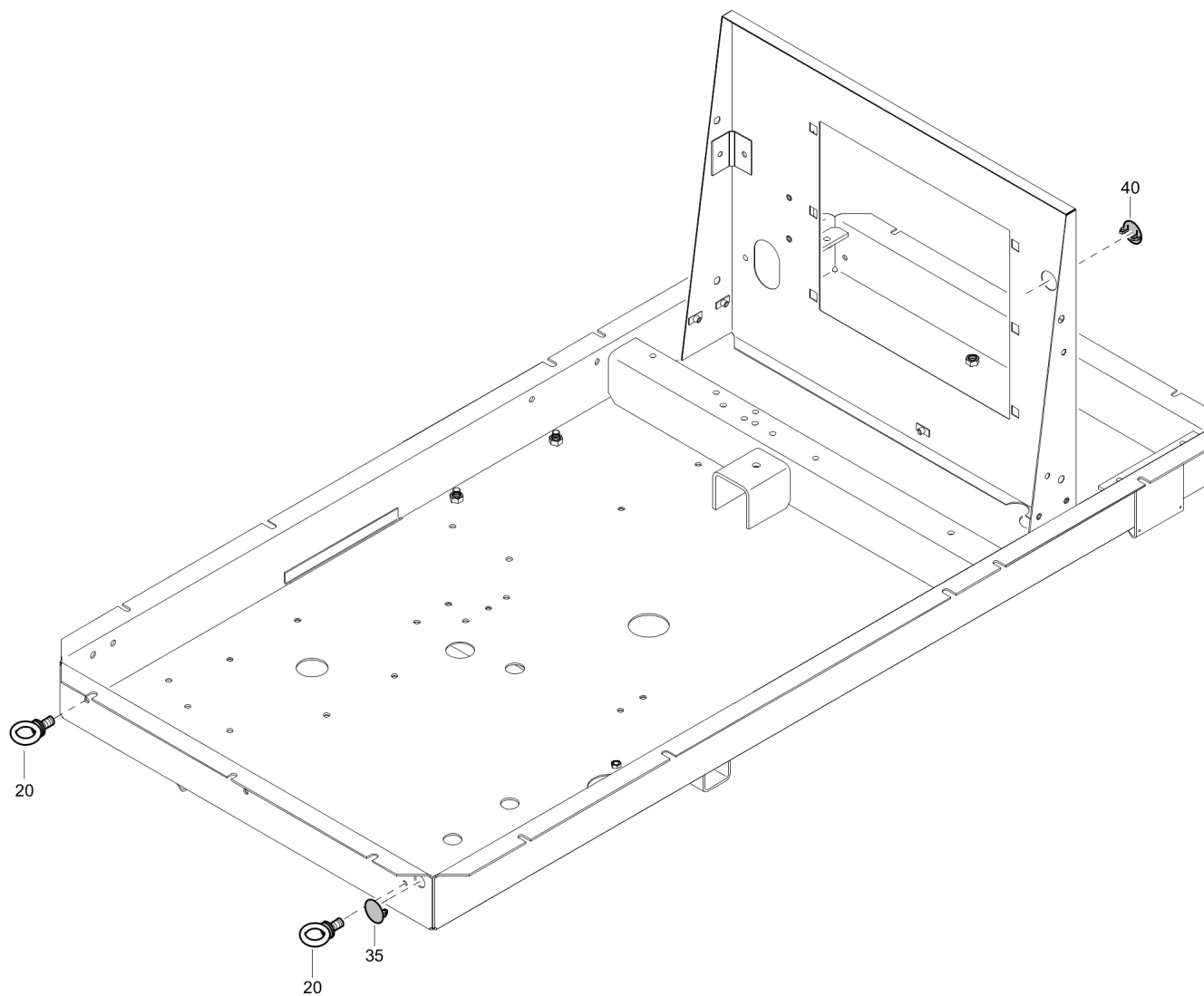
Refer to the Parts Online web page for most up-to-date information. The printed information might be outdated.

Options 1611863714_04 No Road Signalisation



Item	Part No.	Name	Qty	L
20	1626412100	Plug	1	
35	1626412100	Plug	1	
40	1626412100	Plug	1	

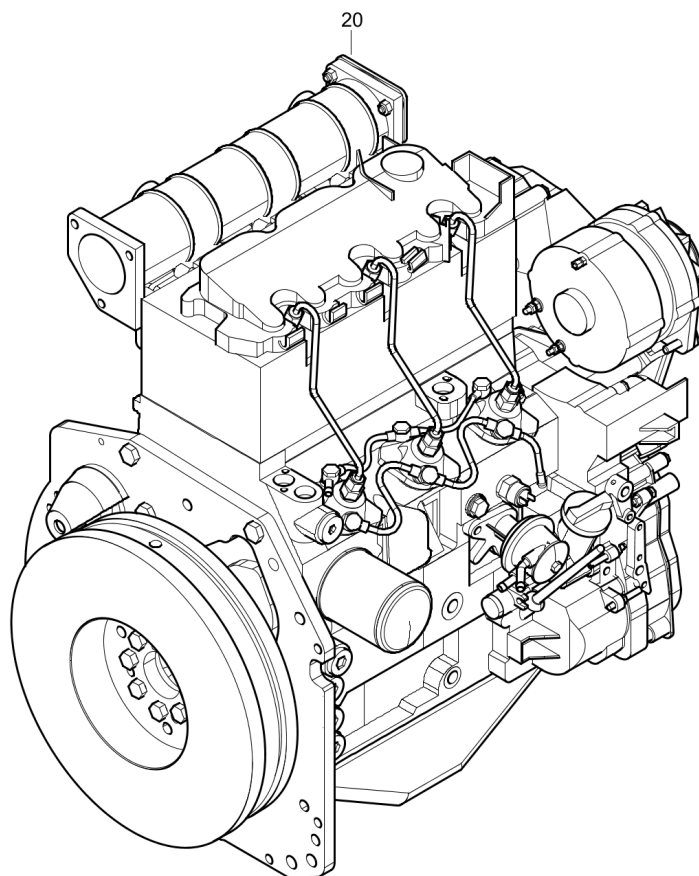
Options 1611864314_03 No roadsignalisation



Refer to the Parts Online web page for most up-to-date information. The printed information might be outdated.

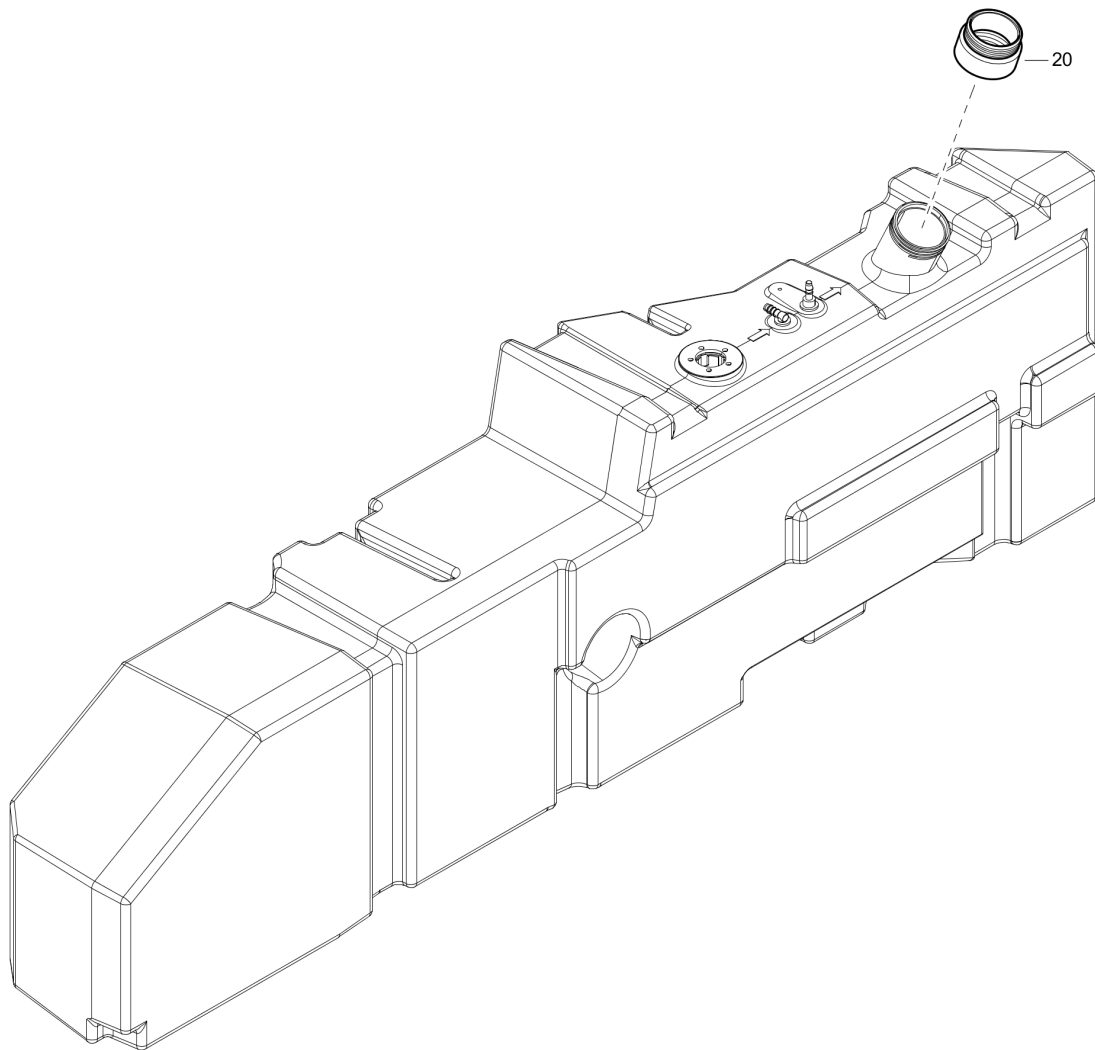
Item	Part No.	Name	Qty	L
20	0371110020	Lifting eye	2	
35	1626412100	Plug	1	
40	1626412100	Plug	1	

Options 1611878414_02 EPA ENGINE



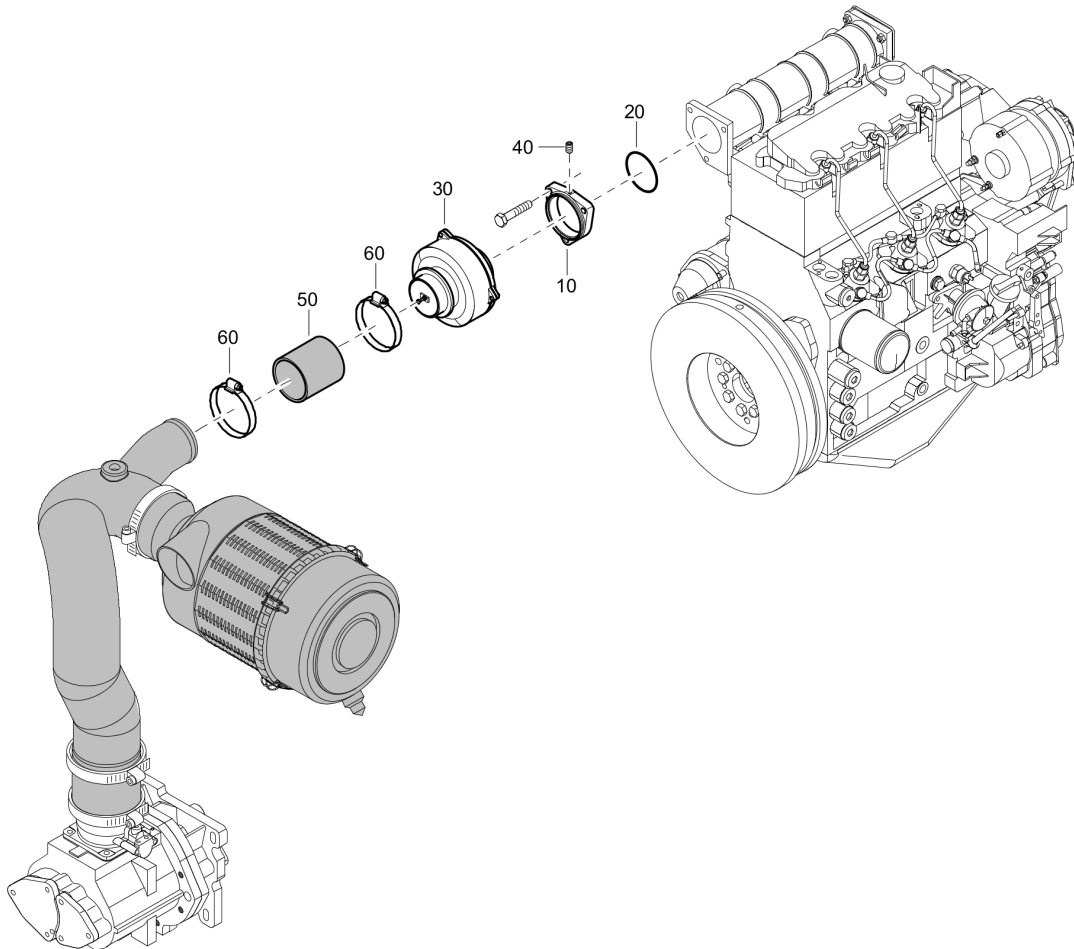
Item	Part No.	Name	Qty	L
20	1626256600	ENGINE	1	

Options 1611802014_01 Metal fillerneck - for fuel tank



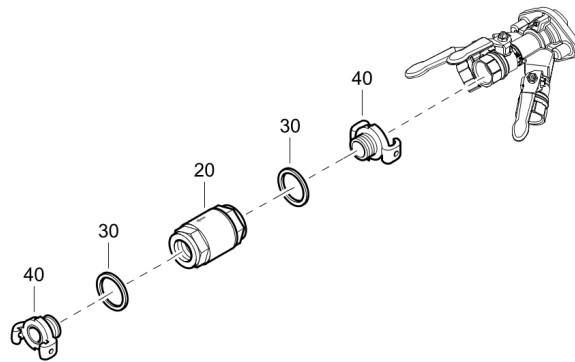
Item	Part No.	Name	Qty	L
20	1604449400	Connection nut fuel tank	1	

Options 1611808614_03 CHALWYN VALVE



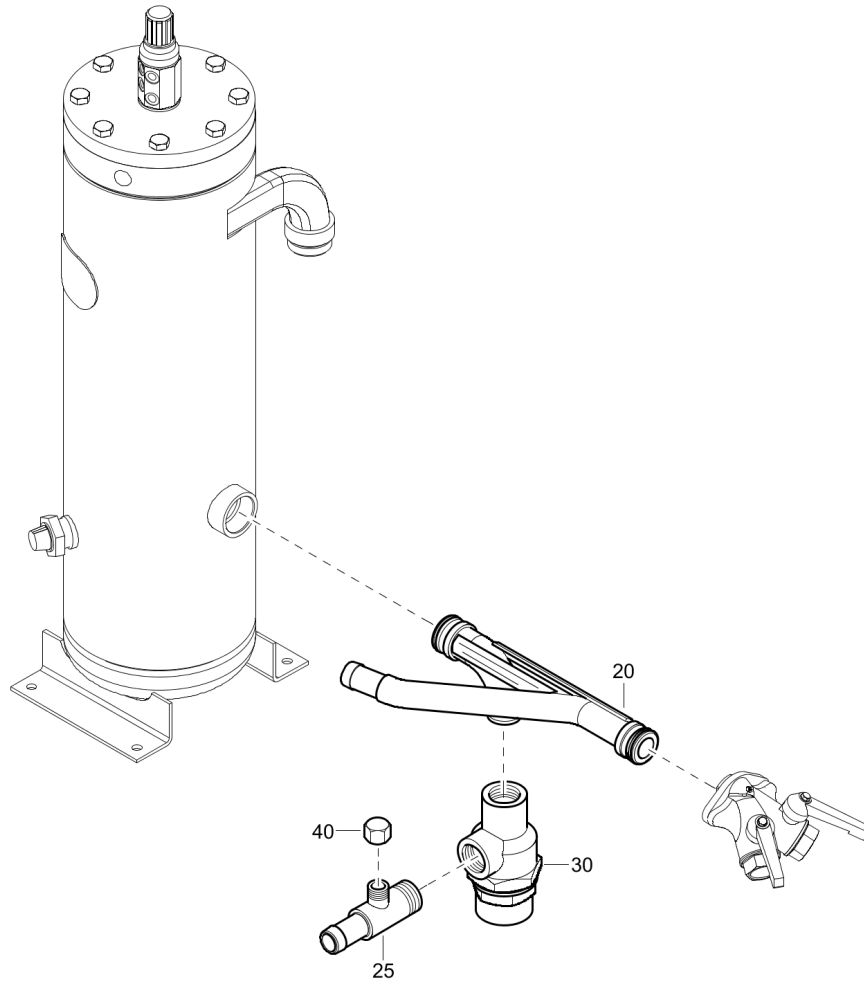
Item	Part No.	Name	Qty	L
10	1626135301	Adapter	1	
20	0663211140	O-ring	1	
30	1626011200	Air inlet valve	1	
40	0196155298	Set screw	1	
50	1626370500	HOSE ISD VALVE	1	
60	0347610004	Clamp	2	

Options 1611837029_03 Non return valve



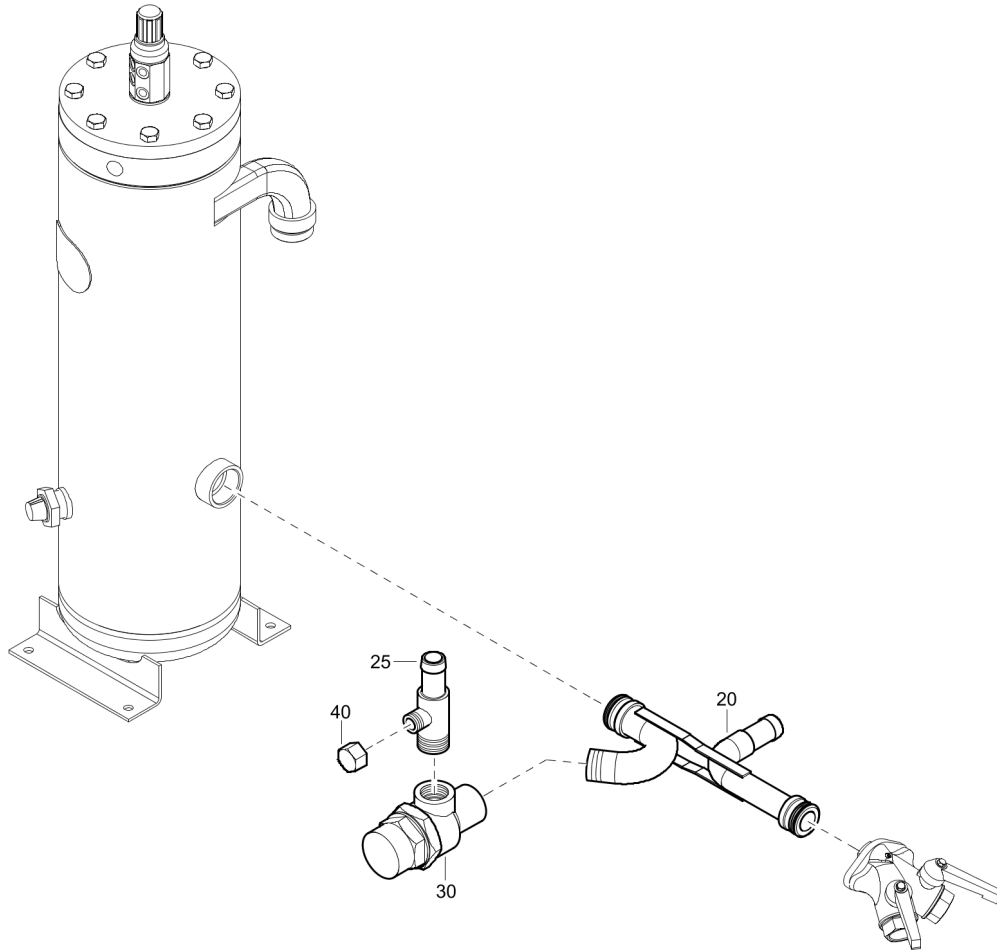
Item	Part No.	Name	Qty	L
20	1615961500	Non-return valve	1	
30	0661104900	Sealing washer	2	
40	9000030300	Claw coupling, complete	2	

Options 1611837514_00 NON RETURN VALVE - FOR COMPRESSOR WITH LUBRICATOR



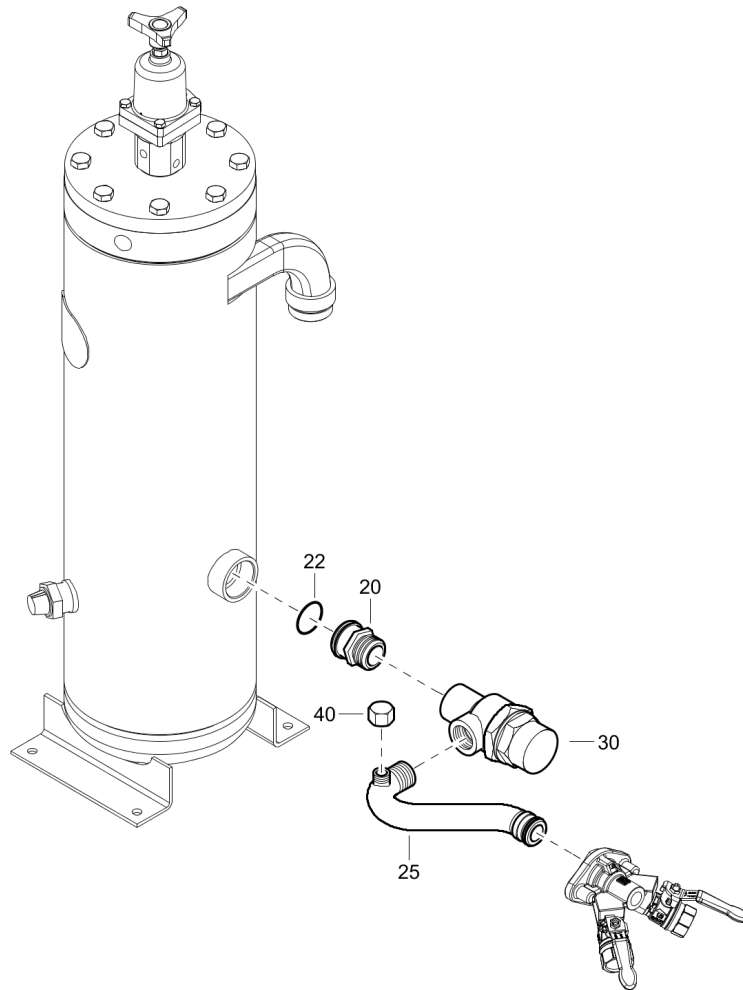
Item	Part No.	Name	Qty	L
20	1604587300	Pipe	1	
25	1604398300	Pipe	1	
30	1604398400	Min. pressure valve	1	
40	0687310400	PIPE CAP	1	

Options 1611837314_01 NO RETURN VALVE FOR COMPRESSOR WITH AFTER COOLER OR LUBRICATOR



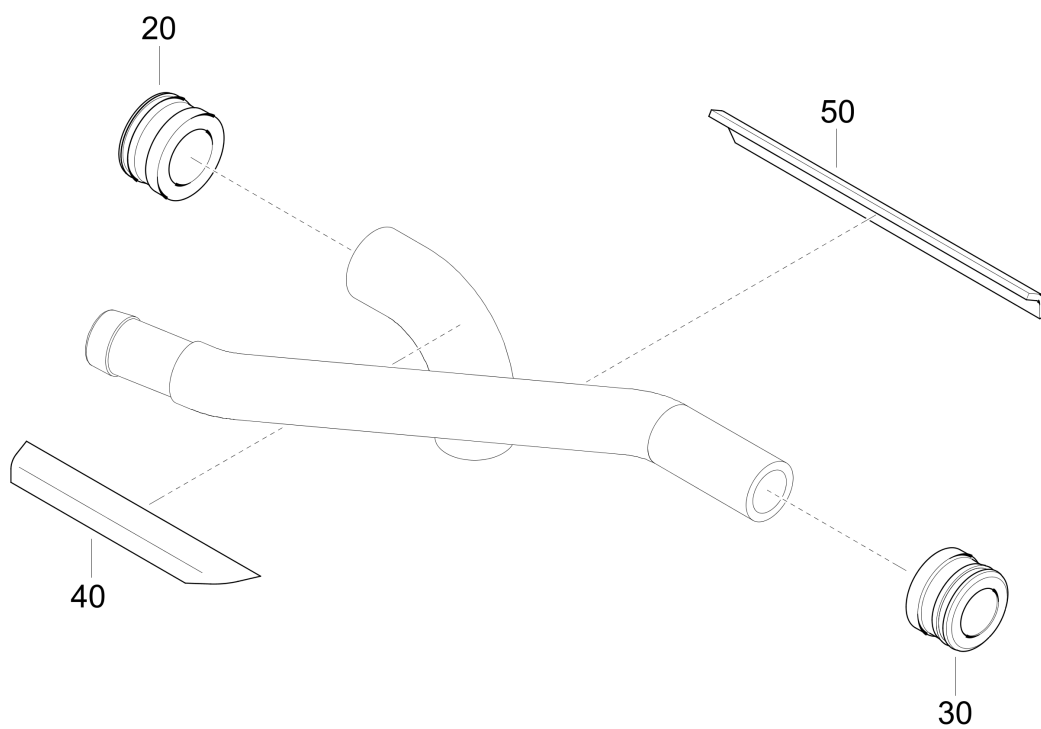
Item	Part No.	Name	Qty	L
20	1604398200	PIPE	1	
25	1604398300	Pipe	1	
30	1604398400	Min. pressure valve	1	
40	0687310400	PIPE CAP	1	

Options 1611837214_04 MINIMUM PRESSURE VALVE FOR COMPRESSOR WITHOUT AFTERCCOLER OR LUBRICATOR



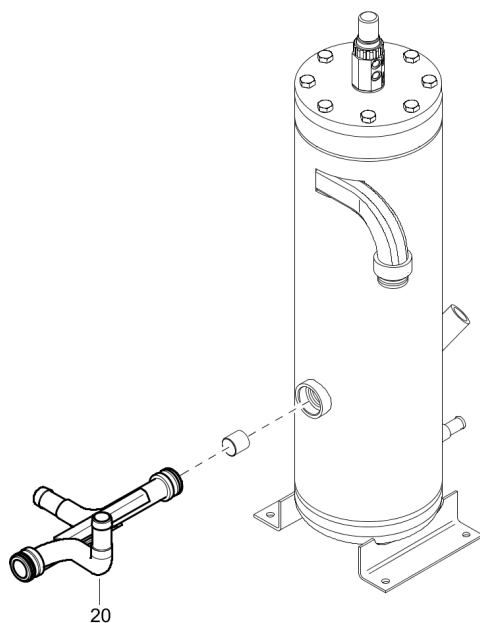
Item	Part No.	Name	Qty	L
20	1604682400	NIPPLE	1	
22	0663313100	O-ring	1	
25	1604398130	PIPE	1	
30	1604398400	Min. pressure valve	1	
40	0687310400	PIPE CAP	1	

Options 1604587300_00 Pipe



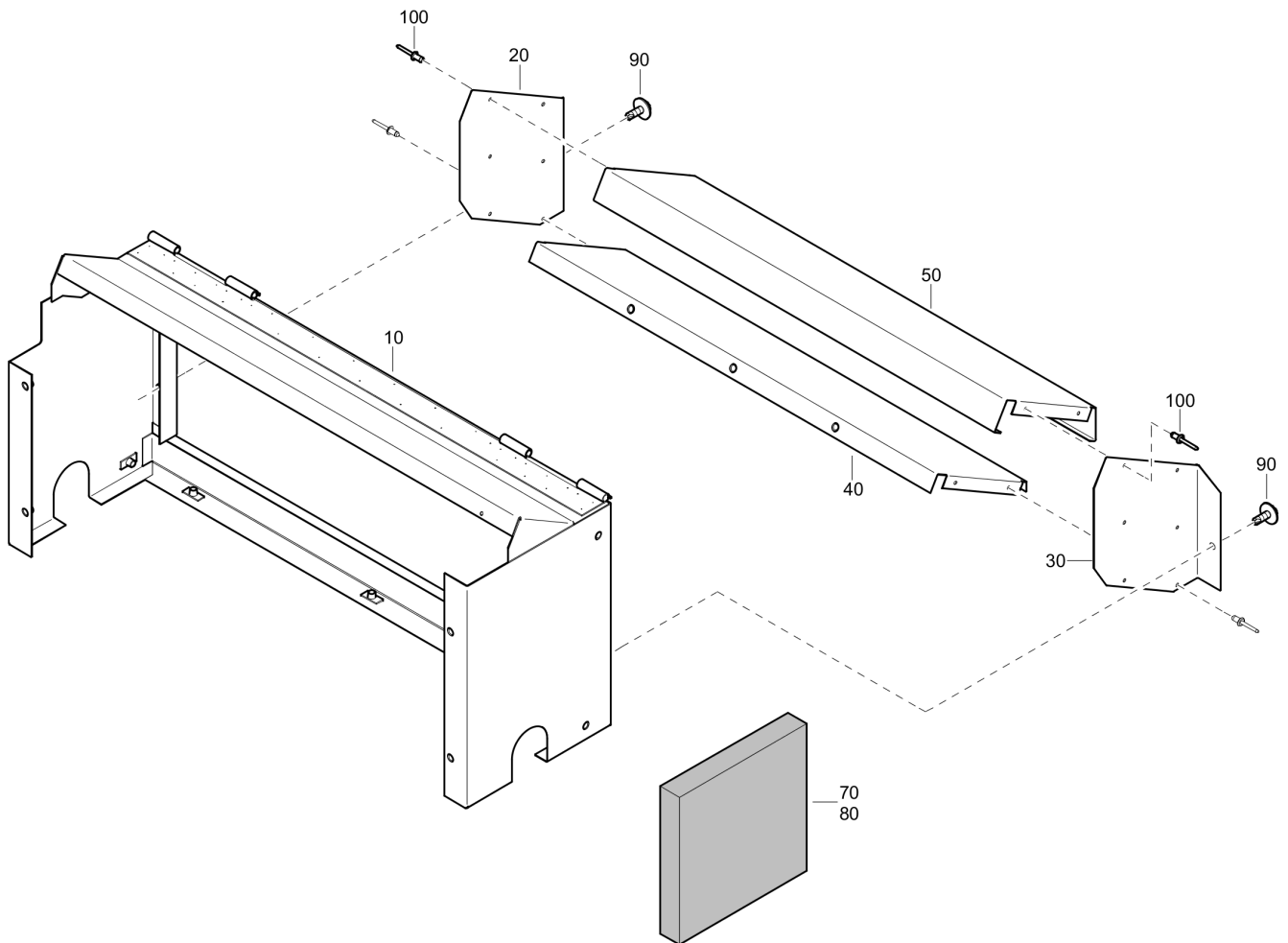
Item	Part No.	Name	Qty	L
-	1604587300	Pipe		
20	1604403101	RING	1	
30	1604395102	RING	1	
40	1604587301	PLATE	1	
50	1604587302	PLATE	1	

Options 1611838314_00 PIPE - FOR COMPRESSOR WITH BYPASS AFTERCOOLER



Item	Part No.	Name	Qty	L
20	1604403100	Pipe	1	

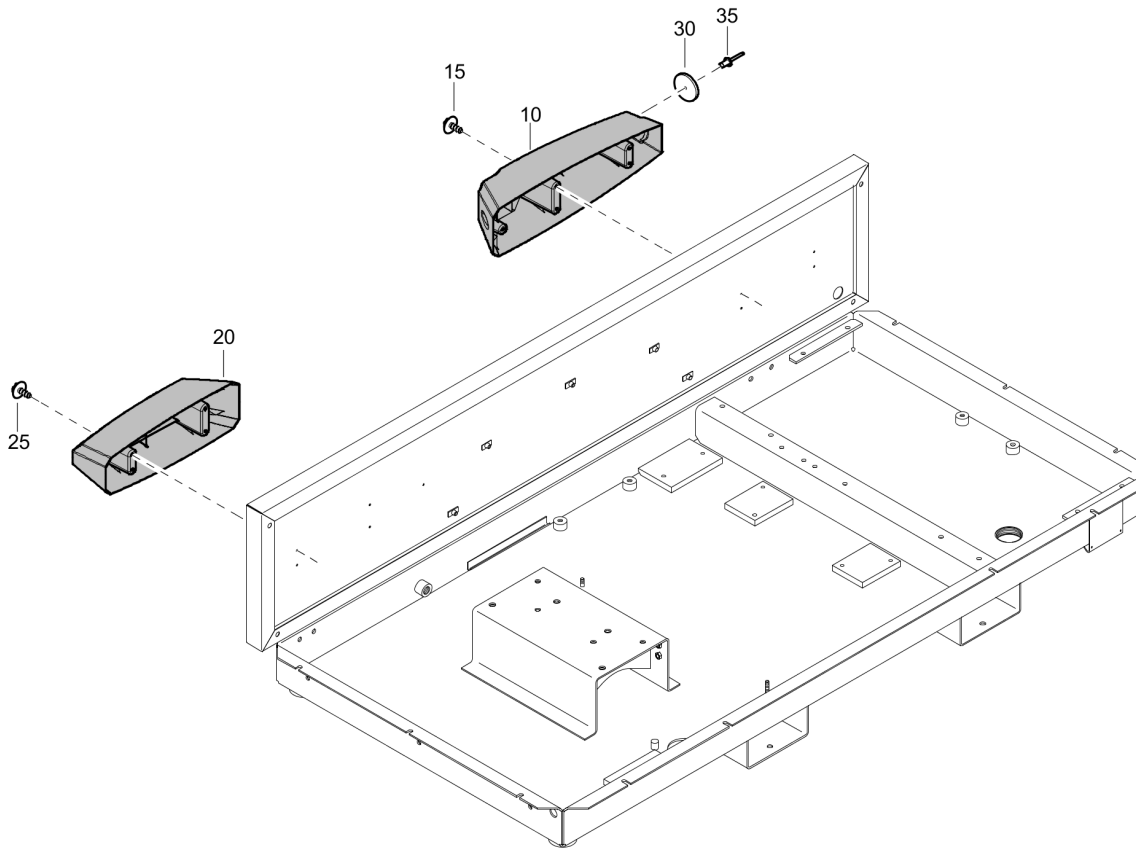
Options 1626124581_01 BAFFLE ASSEMBLY



Refer to the Parts Online web page for most up-to-date information. The printed information might be outdated.

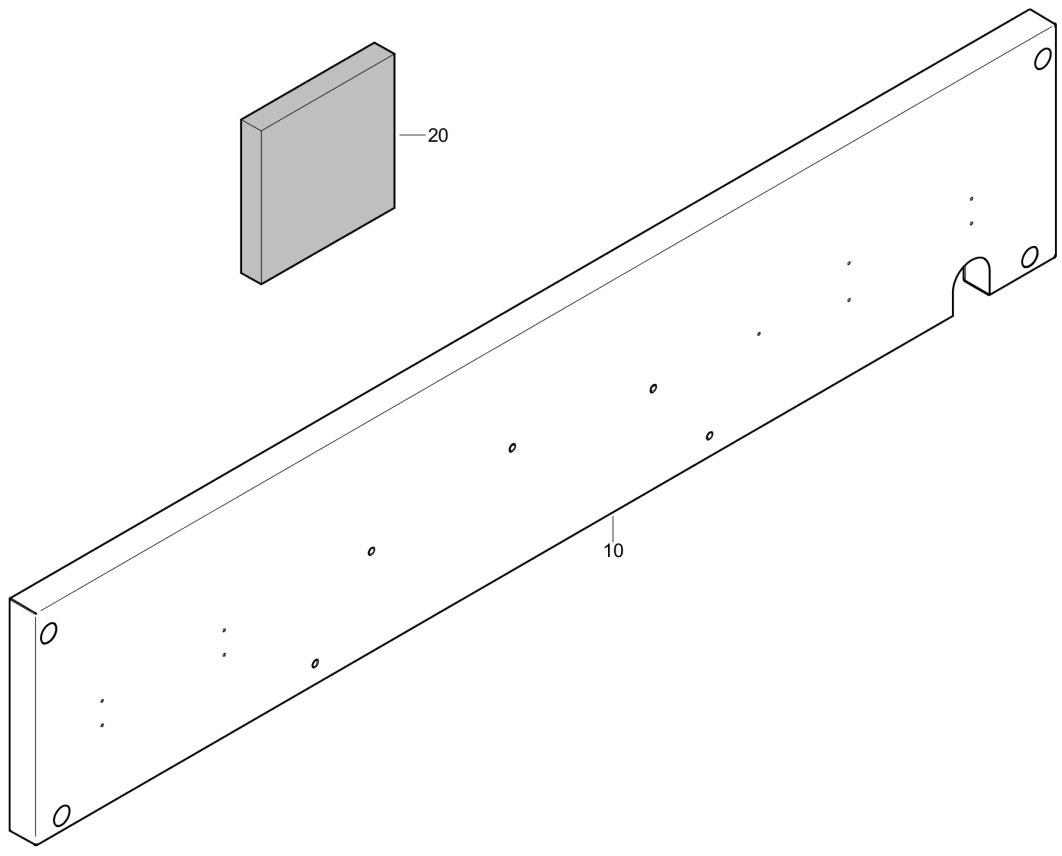
Item	Part No.	Name	Qty	L
10	1626124501	BAFFLE	1	
20	1626138600	PANEL	1	
30	1626124600	PLATE	1	
40	1626124700	PANEL	1	
50	1604400301	Baffle	2	
70	-	Silencing foam (50 mm)	2	
80	-	Silencing foam (30 mm)	1	
90	1604342300	Scraper bolt	4	
100	0129317201	Rivet	8	
-	1079000332	Insulation foam(2000 mm x 1500 mm x 30 mm)		
-	1079000333	Insulation silencing foam(2000 mm x 1500 mm x 50 mm)		

Options 1611808714_01 BODYWORK SIDE PROTECTION



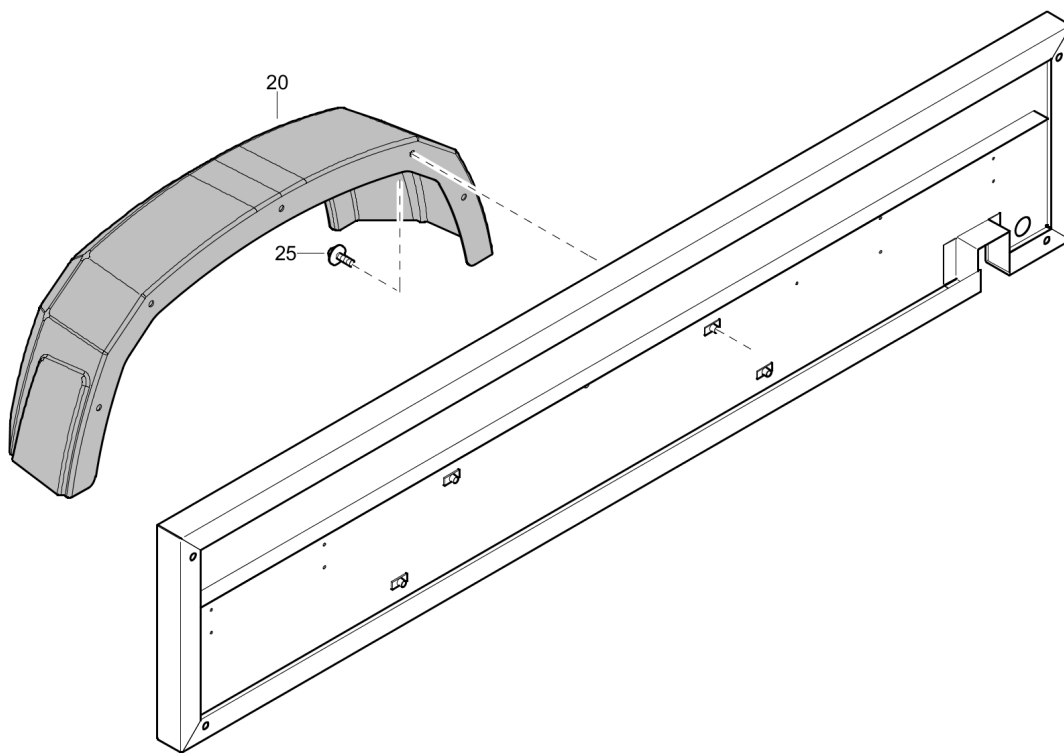
Item	Part No.	Name	Qty	L
10	1604405101	PROTECTION FRONT	2	
15	1619276500	Screw	10	
20	1604545101	PROTECTION REAR	2	
25	1619276500	Screw	8	
30	1615774000	Reflector	2	
35	0129327050	Rivet blind	2	

Options 1604835240_02 SIDE PANEL S7 C CYL PF (RIGHT)



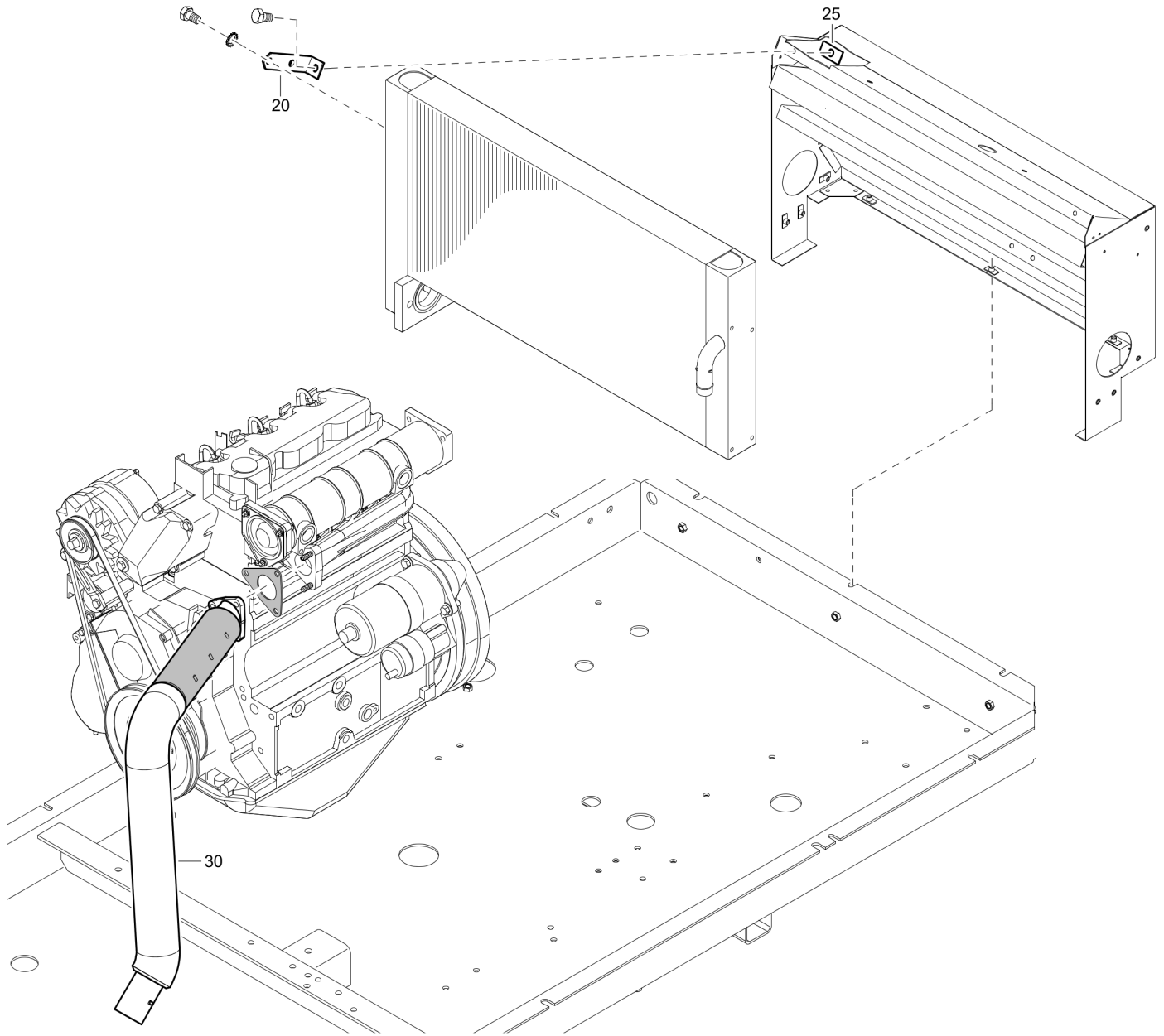
Item	Part No.	Name	Qty	L
10	1604835241	SIDE PANEL (RIGHT)	1	
20	-	Silencing foam (50 mm)	1	
-	1079000333	Insulation silencing foam(2000 mm x 1500 mm x 50 mm)		

Options 1611776614_03 Mudguard sttel canopy



Item	Part No.	Name	Qty	L
20	1604545002	MUDGUARD	2	
25	1615566400	Screw type	10	

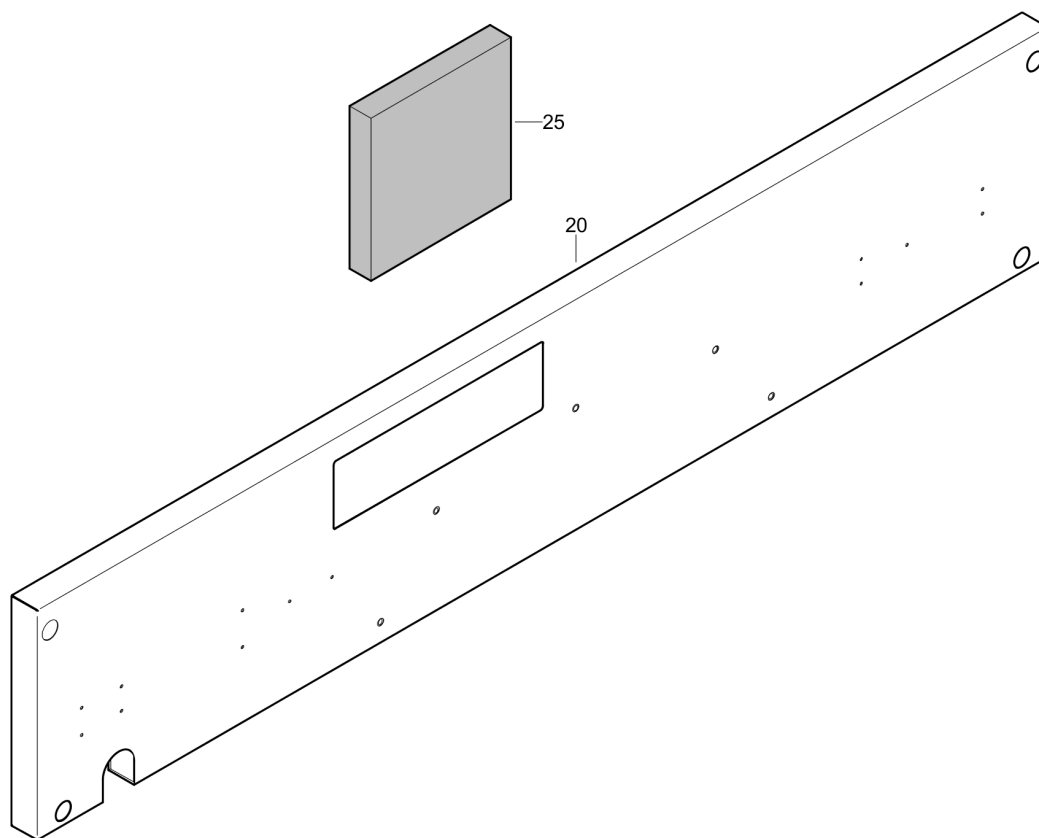
Options 1611838414_02 AF STEEL CANOPY



Refer to the Parts Online web page for most up-to-date information. The printed information might be outdated.

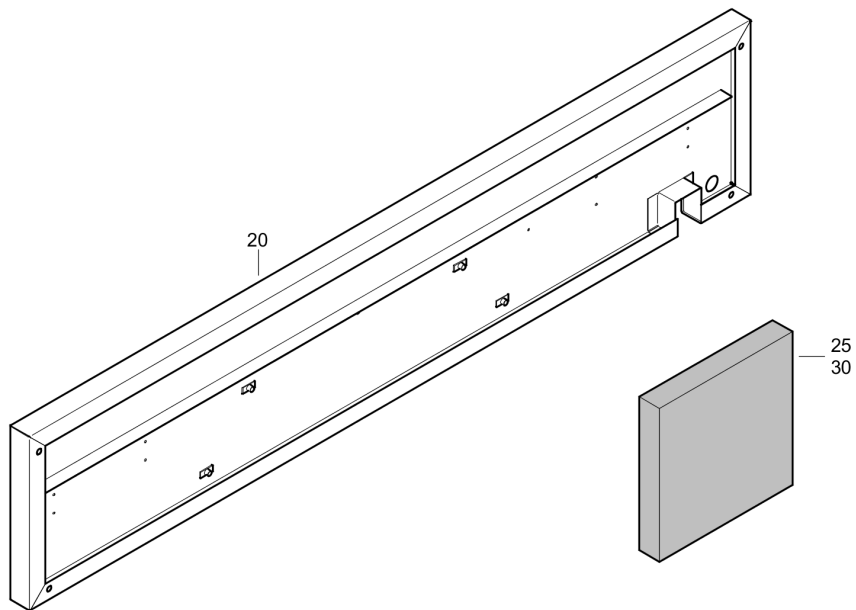
Item	Part No.	Name	Qty	L
20	1604394600	Bracket	2	
25	1604394700	Bracket	2	
30	1626540281	EXHAUST	1	

Options 1604545882_01 PANEL ASSEMBLY



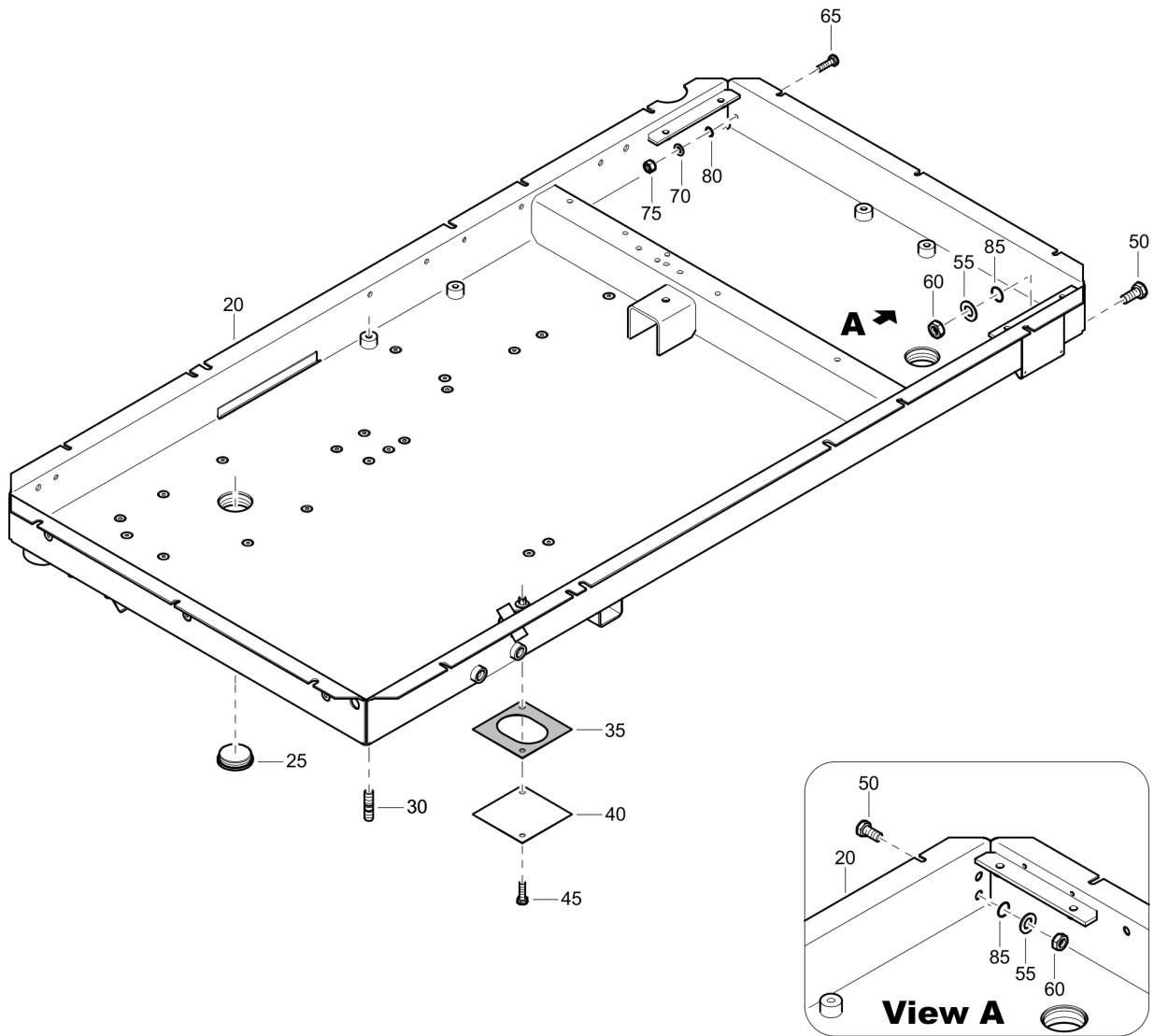
Item	Part No.	Name	Qty	L
20	1604545802	PANEL	1	
25	1604407430	SILENCING FOAM (50 mm)	1	
-	1079000333	Insulation silencing foam(2000 mm x 1500 mm x 50 mm)		

Options 1604545282_00 PANEL ASSEMBLY



Item	Part No.	Name	Qty	L
20	1604545232	PANEL	1	
25	-	Silencing foam (50 mm)	1	
30	-	Silencing foam (50 mm)	1	
-	1079000333	Insulation silencing foam(2000 mm x 1500 mm x 50 mm)		

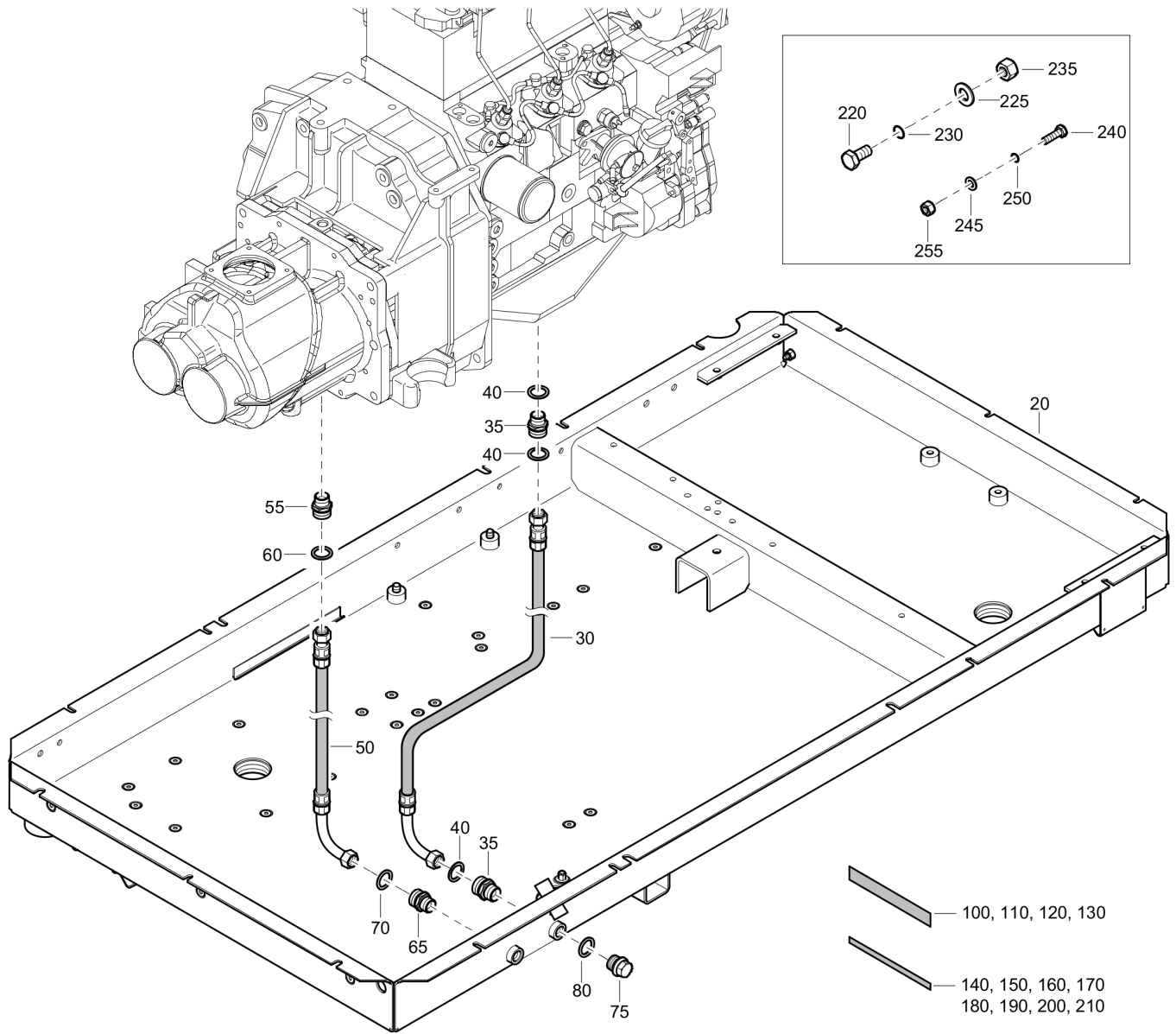
Options 1604541788_00 FRAME



Item	Part No.	Name	Qty	L
20	1604541737	FRAME	1	
25	1613265500	Plug	3	
30	0246195657	Stud	4	
35	1626514400	Seal	1	
40	1604541903	Cover	1	
45	0147196272	Screw DIN931	2	
50	0147140003	Hex. head screw	2	
55	0301237100	Plain washer	2	
60	0266211200	Hexagon nut	2	
65	0147132503	Hex. head screw	5	
70	0301233500	Washer DIN125	5	
75	0266211000	Nut DIN934	5	
80	0663210463	O-ring	5	
85	0663212200	O-ring	2	

Refer to the Parts Online web page for most up-to-date information. The printed information might be outdated.

Options 1611801514_10 FRAME SPILLAGE FREE

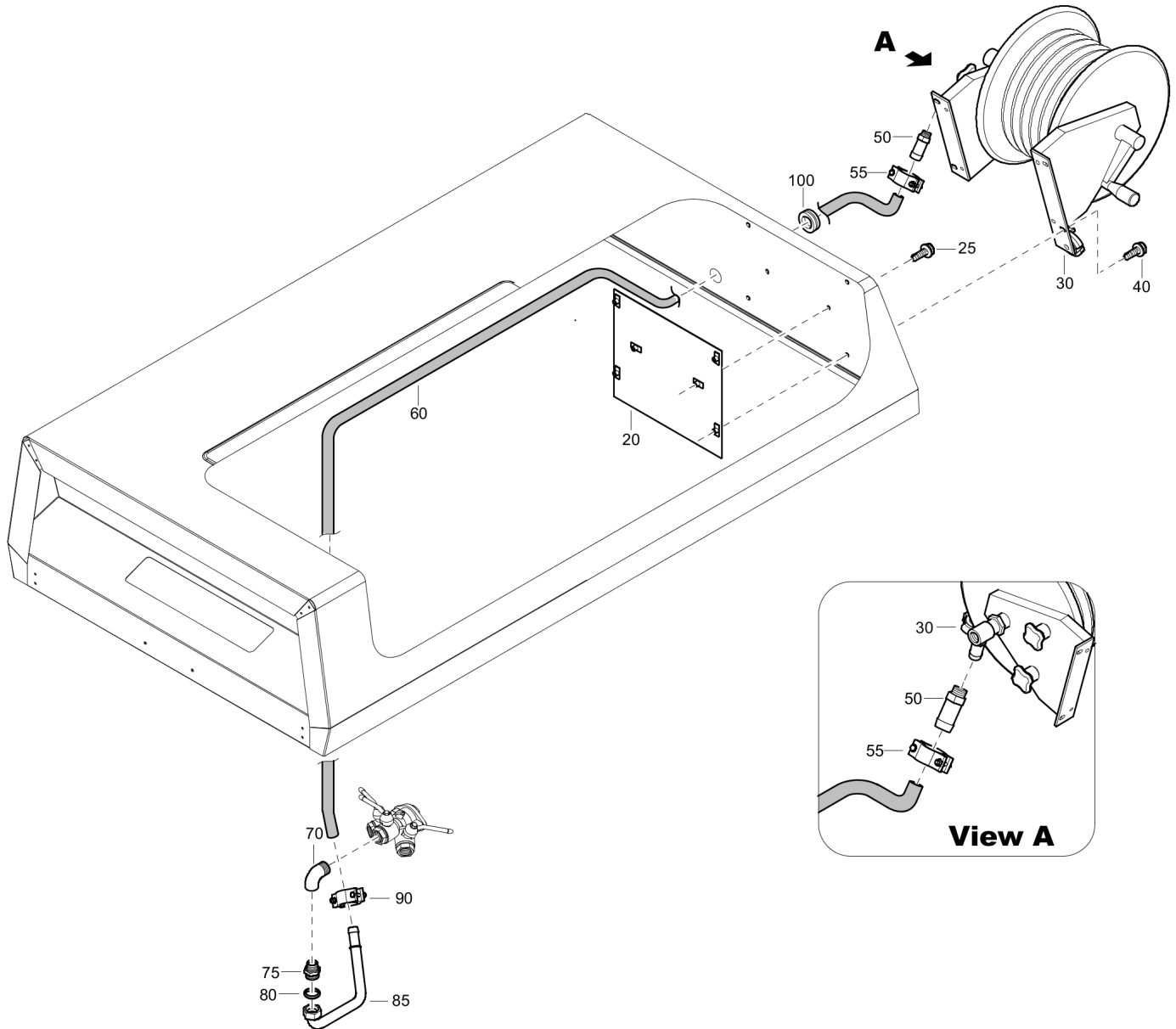


Refer to the Parts Online web page for most up-to-date information. The printed information might be outdated.

Item	Part No.	Name	Qty	L
20	1604541788	FRAME XA(T)S67-97	1	
30	1604542600	Hose assembly	1	
35	0571003571	Joint nipple	2	
40	0653111500	Flat gasket	3	
50	1604544700	Hose assembly	1	
55	0571003571	Joint nipple	1	
60	0653111500	Flat gasket	1	
65	0571003571	Joint nipple	1	
70	0653111500	Flat gasket	1	
75	0686423018	Hexagon plug	1	
80	0653111500	Flat gasket	1	
100	1619518800	Seal	AR	
110	1619518800	Seal	AR	
120	1619518800	Seal	AR	
130	1619518800	Seal	AR	
140	1615705700	Seal	AR	
150	1615705700	Seal	AR	
160	1615705700	Seal	AR	
170	1615705700	Seal	AR	
180	1615705700	Seal	AR	
190	1615705700	Seal	AR	
200	1615705700	Seal	AR	
210	1615705700	Seal	AR	
220	0147140003	Hex. head screw	2	
225	0301237100	Plain washer	2	
230	0663212200	O-ring	2	
235	0266211200	Hexagon nut	2	
240	0147132503	Hex. head screw	1	
245	0301233500	Washer DIN125	1	
250	0663311700	O-ring	1	
255	0266211000	Nut DIN934	1	

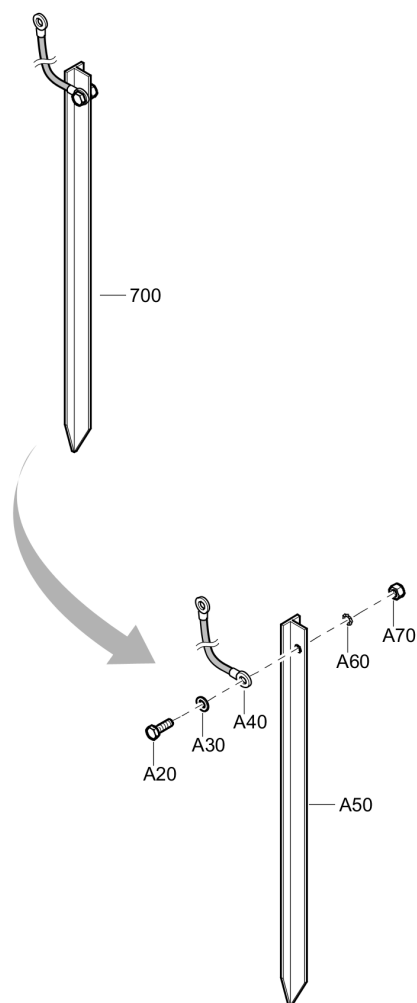
Refer to the Parts Online web page for most up-to-date information. The printed information might be outdated.

Options 1611861114_03 HOSE REEL XAS97



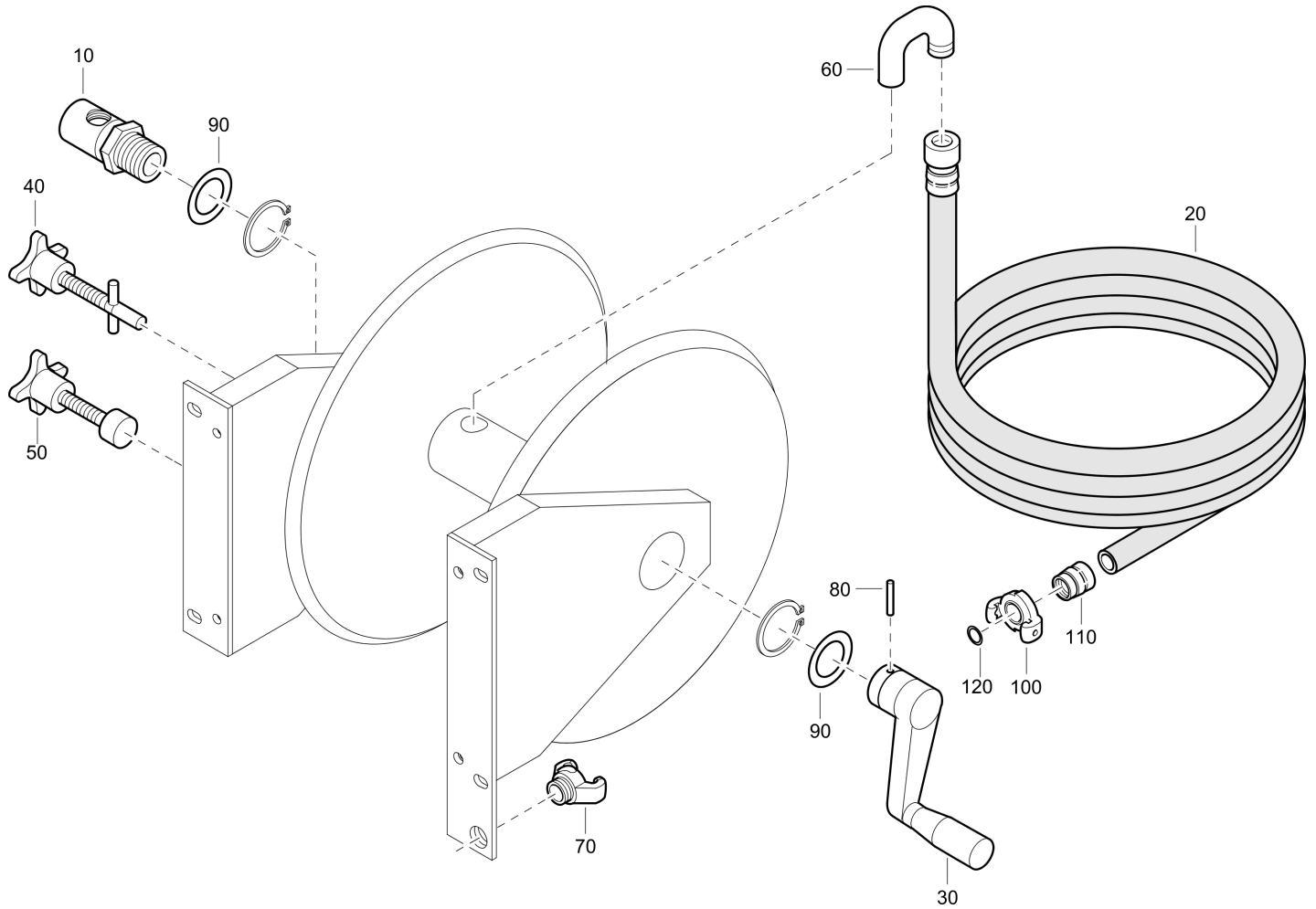
Item	Part No.	Name	Qty	L
20	1604393600	Plate	1	
25	1615566400	Screw type	2	
30	1604143001	Hose reel	1	
40	1615566400	Screw type	4	
50	9000024500	Nipple	1	
55	9000019600	Hose clamp	1	
60	0072840326	Hose	AR	
70	0560020001	Elbow	1	
75	1619624900	Nipple	1	
80	0661103800	Sealing washer	1	
85	1604392300	Pipe	1	
90	9000019600	Hose clamp	1	
100	1088080142	Grommet	1	

Options 1611873114_01 Earth pin



Item	Part No.	Name	Qty	L
700	1604722380	Pin	1	
A20	0147132303	Screw DIN933	1	
A30	0301233500	Washer DIN125	1	
A40	1615950300	Wire assembly	1	
A50	1089935804	Earth pin	1	
A60	0333322700	Lock washer	1	
A70	0266211000	Nut DIN934	1	

Options 1604143001_01 Hose reel

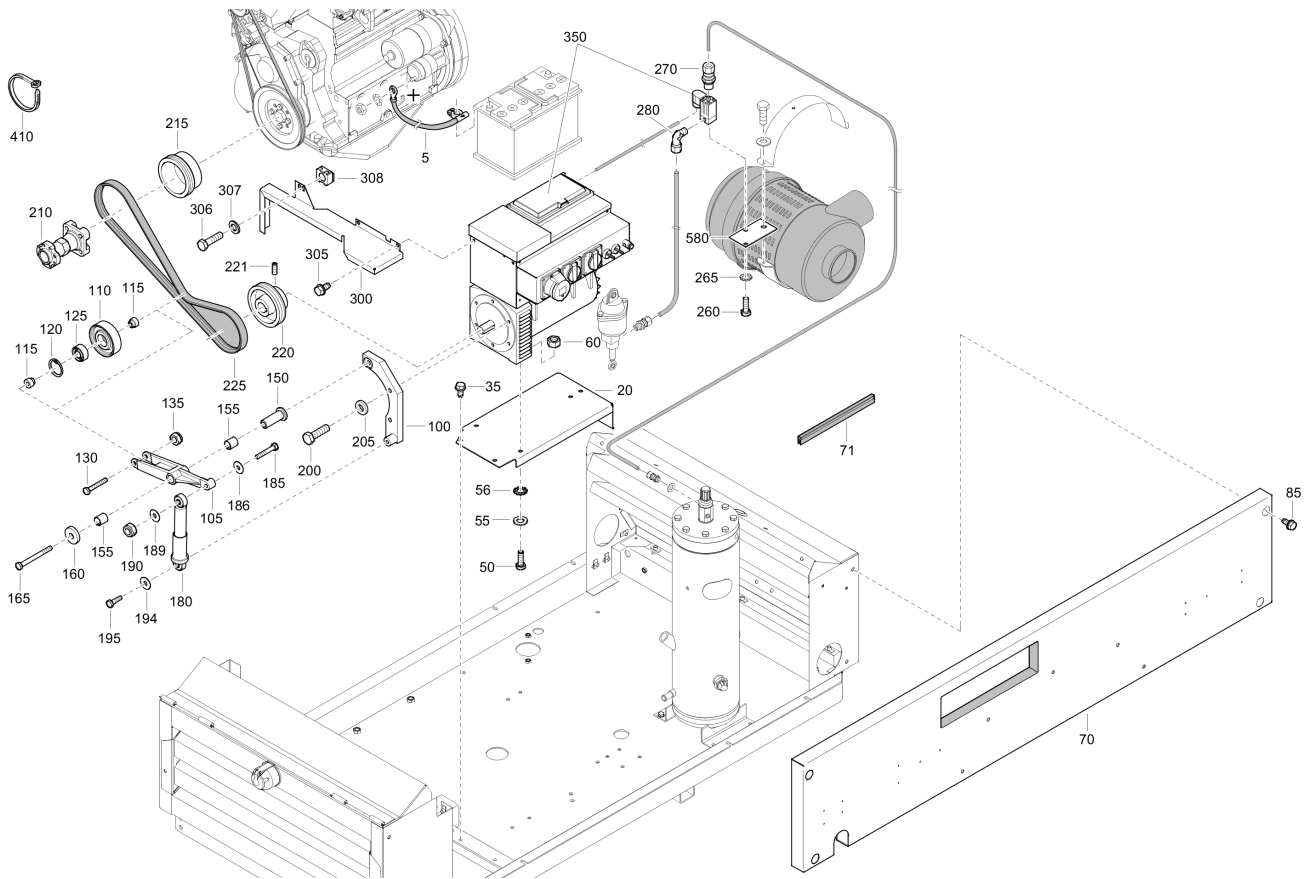


Refer to the Parts Online web page for most up-to-date information. The printed information might be outdated.

Item	Part No.	Name	Qty	L
-	1604143001	Hose reel		
10	2914818600	CONNECTION	1	
20	2914818700	HOSE+COUPLING	1	
30	2914818800	HANDLE	1	
40	2914818900	FUSE	1	
50	2914819000	BREMSE	1	
60	2914819100	TUBE BEND	1	
70	2914819200	PIPE COUPLING	1	
80	2914824100	CLAMPING COLLAR	2	
90	2914824200	WASHER	4	
100	2914828900	CLAW CLUTCH	1	
110	2914829000	BUSH	1	
120	2914829100	SEAL	1	

Refer to the Parts Online web page for most up-to-date information. The printed information might be outdated.

Options 1611874714_20 GENERATOR KIT



Refer to the Parts Online web page for most up-to-date information. The printed information might be outdated.

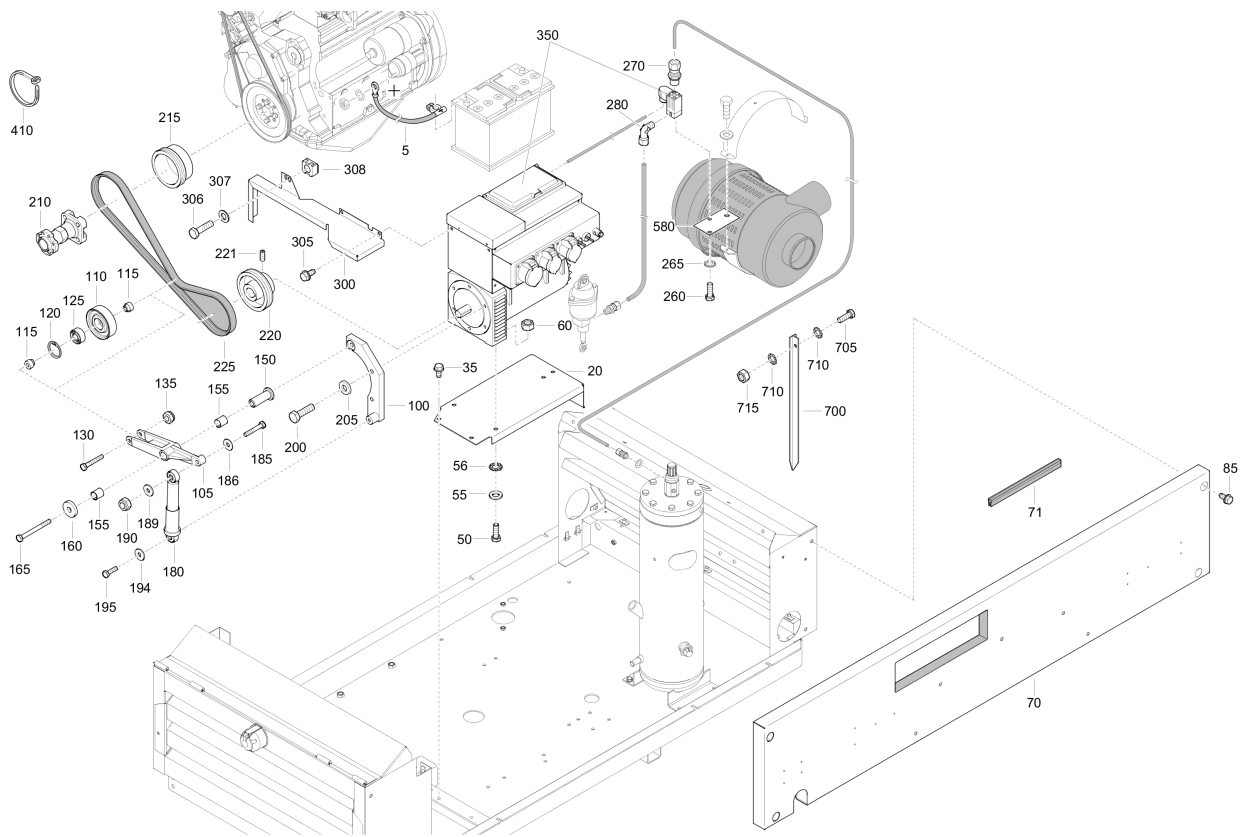
Item	Part No.	Name	Qty	L
5	1604961500	Cable battery	1	
20	1604399202	Support	1	
35	1619276600	Screw DIN933	4	
50	0147136303	Screw DIN933	3	
55	0301234400	Washer DIN125	3	
56	0333323200	Lock washer	3	
60	0266211100	Nut	3	
70	1604545882	PANEL ASSY	1	
71	1202658400	Seal	AR	
85	1619276600	Screw DIN933	8	
100	1604390300	Support	1	
105	1615866801	Lever	1	
110	1615867001	Pulley	1	
115	1615866900	Bushing	2	
120	0335213600	Circlip	1	
125	0502109138	Ball bearing	1	
130	0147133003	Hex. head screw	1	
135	0291111000	Locknut	1	
150	1615866700	Axle	1	
155	0500451022	Plain bearing	2	
160	0303127401	Plain washer DIN125	1	
165	0147133603	Hexagon bolt	1	
180	1615867100	Damper	1	
185	0147132903	Screw DIN931	1	
186	0300801900	Washer	2	
189	0300801900	Washer	1	
190	0291111000	Locknut	1	
194	0300801900	Washer	1	
195	0147132503	Hex. head screw	1	
200	0147132603	Screw DIN933	2	
205	0301233500	Washer DIN125	2	
210	1615860700	Fan adaptor	1	
215	1615867200	Pulley	1	
220	1615867700	Pulley	1	
221	0196132000	Set screw	1	

Refer to the Parts Online web page for most up-to-date information. The printed information might be outdated.

Item	Part No.	Name	Qty	L
225	1626284900	Belt	1	
260	0147117103	Hexagon head screw	2	
265	0333321400	Lock washer	2	
270	0581000054	Straight pipe coupling	1	
280	0581120016	Fitting	1	
300	1604390201	BELT GUARD	1	
305	1619276600	Screw DIN933	2	
306	0147132103	Screw DIN933	1	
307	0301233500	Washer DIN125	1	
308	1079290101	Cage nut	1	
350	1604399599	GENERATOR	1	
410	1088130103	Cable tie	4	
580	1604399401	Bracket	1	

This page intentionally left blank

Options 1611874814_20 GENERATOR KIT



Refer to the Parts Online web page for most up-to-date information. The printed information might be outdated.

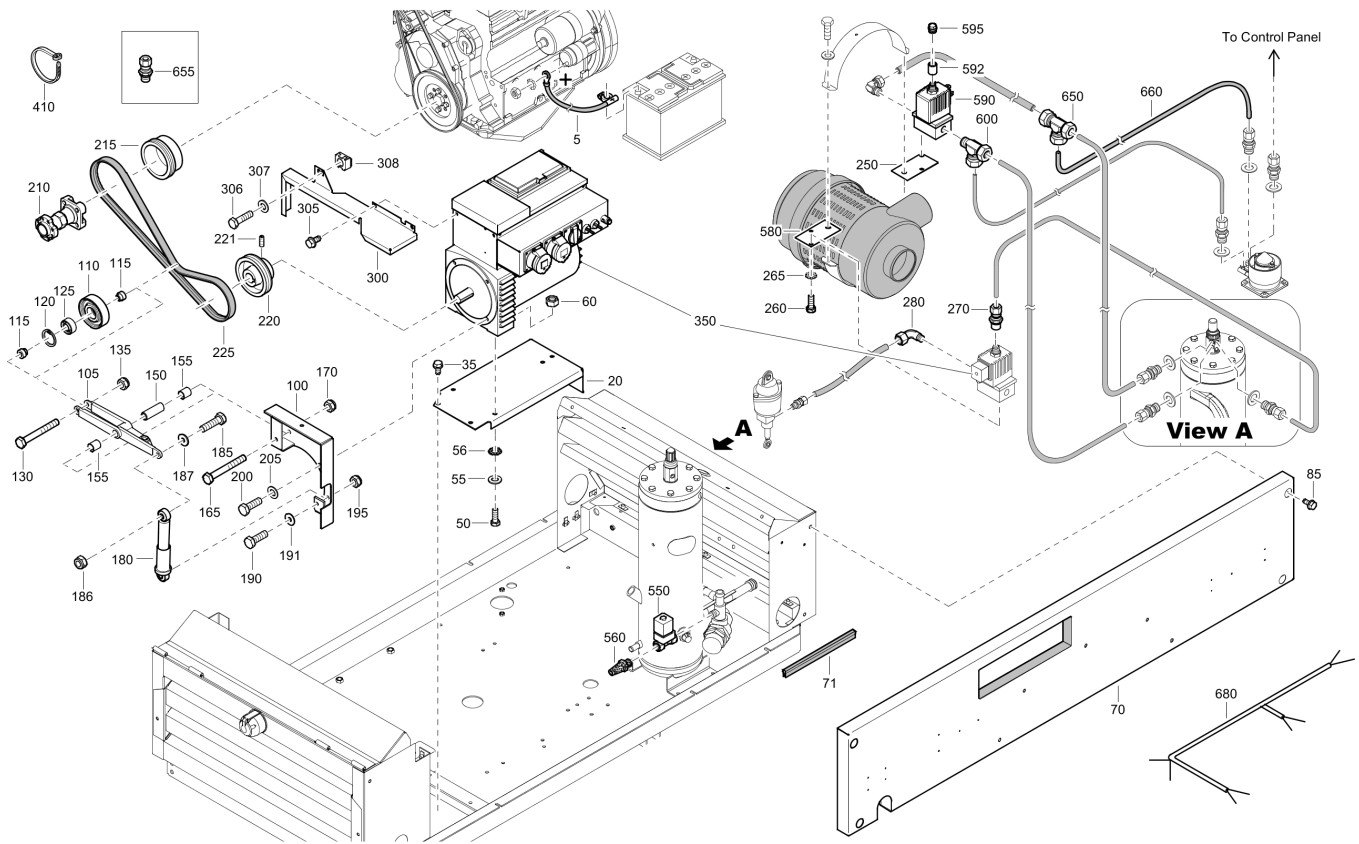
Item	Part No.	Name	Qty	L
5	1604961500	Cable battery	1	
20	1604399202	Support	1	
35	1619276600	Screw DIN933	4	
50	0147136303	Screw DIN933	3	
55	0301234400	Washer DIN125	3	
56	0333323200	Lock washer	3	
60	0266211100	Nut	3	
70	1604545882	PANEL ASSY	1	
71	1202658400	Seal	AR	
85	1619276600	Screw DIN933	8	
100	1604390300	Support	1	
105	1615866801	Lever	1	
110	1615867001	Pulley	1	
115	1615866900	Bushing	2	
120	0335213600	Circlip	1	
125	0502109138	Ball bearing	1	
130	0147133003	Hex. head screw	1	
135	0291111000	Locknut	1	
150	1615866700	Axle	1	
155	0500451022	Plain bearing	2	
160	0303127401	Plain washer DIN125	1	
165	0147133603	Hexagon bolt	1	
180	1615867100	Damper	1	
185	0147132903	Screw DIN931	1	
186	0300801900	Washer	2	
189	0300801900	Washer	1	
190	0291111000	Locknut	1	
194	0300801900	Washer	1	
195	0147132503	Hex. head screw	1	
200	0147132603	Screw DIN933	2	
205	0301233500	Washer DIN125	2	
210	1615860700	Fan adaptor	1	
215	1615867200	Pulley	1	
220	1615867700	Pulley	1	
221	0196132000	Set screw	1	

Refer to the Parts Online web page for most up-to-date information. The printed information might be outdated.

Item	Part No.	Name	Qty	L
225	1626284900	Belt	1	
260	0147117103	Hexagon head screw	2	
265	0333321400	Lock washer	2	
270	0581000054	Straight pipe coupling	1	
280	0581120016	Fitting	1	
300	1604390201	BELT GUARD	1	
305	1619276600	Screw DIN933	2	
306	0147132103	Screw DIN933	1	
307	0301233500	Washer DIN125	1	
308	1079290101	Cage nut	1	
350	1604399595	GENERATOR	1	
410	1088130103	Cable tie	4	
580	1604399401	Bracket	1	
700	1089935804	Earth pin	1	
705	0147132303	Screw DIN933	1	
710	0333322700	Lock washer	2	
715	0266211000	Nut DIN934	1	

This page intentionally left blank

Options 1611874914_20 GENERATOR KIT



Refer to the Parts Online web page for most up-to-date information. The printed information might be outdated.

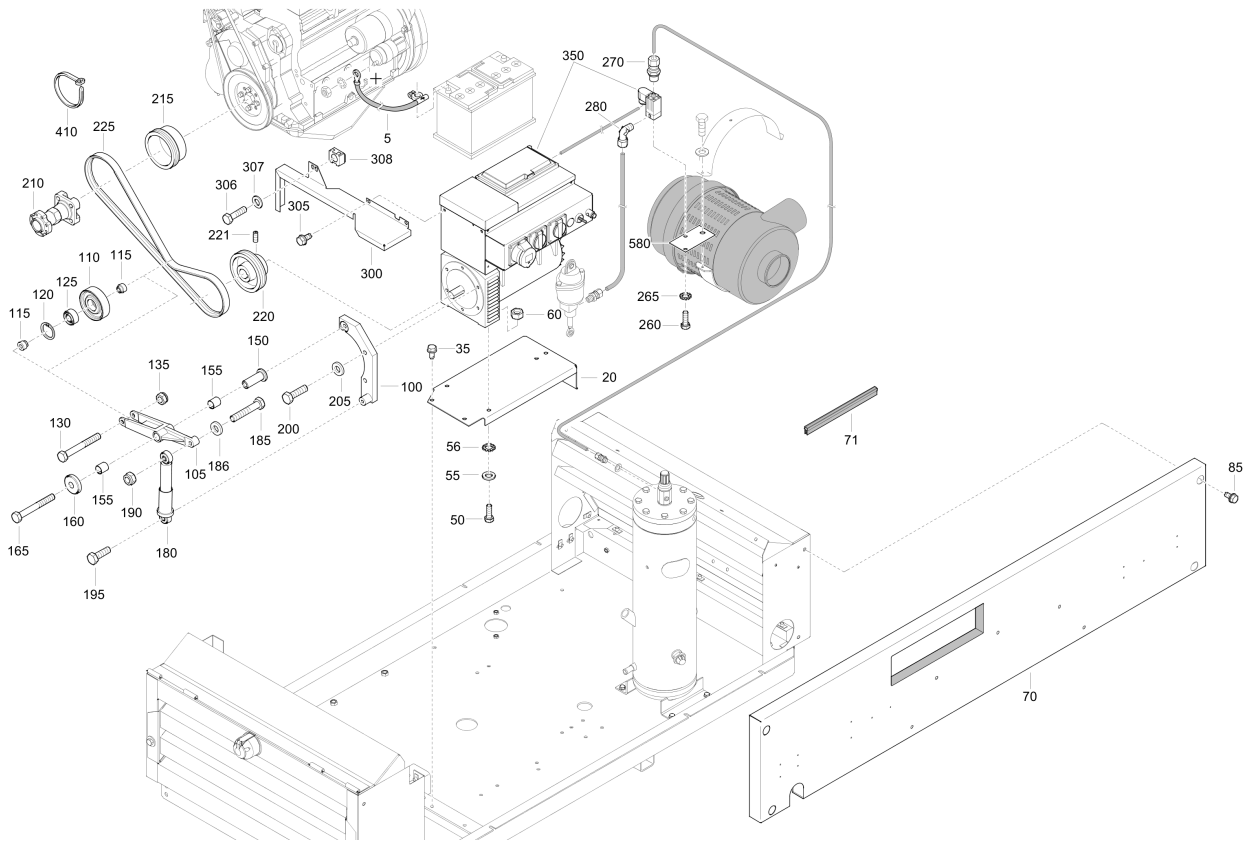
Item	Part No.	Name	Qty	L
5	1604961500	Cable battery	1	
20	1604399302	Support	1	
35	1619276600	Screw DIN933	4	
50	0147136303	Screw DIN933	3	
55	0301234400	Washer DIN125	3	
56	0333323200	Lock washer	3	
60	0266211100	Nut	3	
70	1604545882	PANEL ASSY	1	
71	1202658400	Seal	AR	
85	1619276600	Screw DIN933	8	
100	1604389700	Support	1	
105	1604050302	Lever	1	
110	1615867001	Pulley	1	
115	1615866900	Bushing	2	
120	0335213600	Circlip	1	
125	0502109138	Ball bearing	1	
130	0147133003	Hex. head screw	1	
135	0291111000	Locknut	1	
150	1604050200	Bushing	1	
155	0500451022	Plain bearing	2	
165	0147137103	Hexagon head screw	1	
170	0291111100	Nut DIN985	1	
180	1615867100	Damper	1	
185	0147132603	Screw DIN933	1	
186	0291111000	Locknut	2	
187	0300801900	Washer	1	
190	0147132603	Screw DIN933	1	
191	0300801900	Washer	1	
195	0291111000	Locknut	1	
200	0147136203	Screw DIN933	3	
205	0301234400	Washer DIN125	3	
210	1615860700	Fan adaptor	1	
215	1604390800	Pulley	1	
220	1604050401	Pulley	1	
221	0196132000	Set screw	1	

Refer to the Parts Online web page for most up-to-date information. The printed information might be outdated.

Item	Part No.	Name	Qty	L
225	1604407700	V-BELT	1	
250	1604399401	Bracket	1	
260	0147117103	Hexagon head screw	2	
265	0333321400	Lock washer	2	
270	0581000054	Straight pipe coupling	1	
280	0581120016	Fitting	1	
300	1604390201	BELT GUARD	1	
305	1619276600	Screw DIN933	2	
306	0147132103	Screw DIN933	1	
307	0301233500	Washer DIN125	1	
308	1079290101	Cage nut	1	
350	1604399788	Generator	1	
410	1088130103	Cable tie	4	
550	1089062007	Solenoid valve	1	
560	9090051000	Silencer	1	
580	1604399401	Bracket	1	
590	1089062171	Solenoid valve	1	
592	0607215102	Socket	1	
595	0686420103	Hexagon plug	1	
600	0582120009	Tee pipe coupling	1	
650	0582120012	Fitting	1	
655	0582120005	Coupling	1	
660	0070600204	Plastic tube	AR	
680	1604531400	Wire harness	1	

This page intentionally left blank

Options 1611875814_18 GENERATOR KIT



Refer to the Parts Online web page for most up-to-date information. The printed information might be outdated.

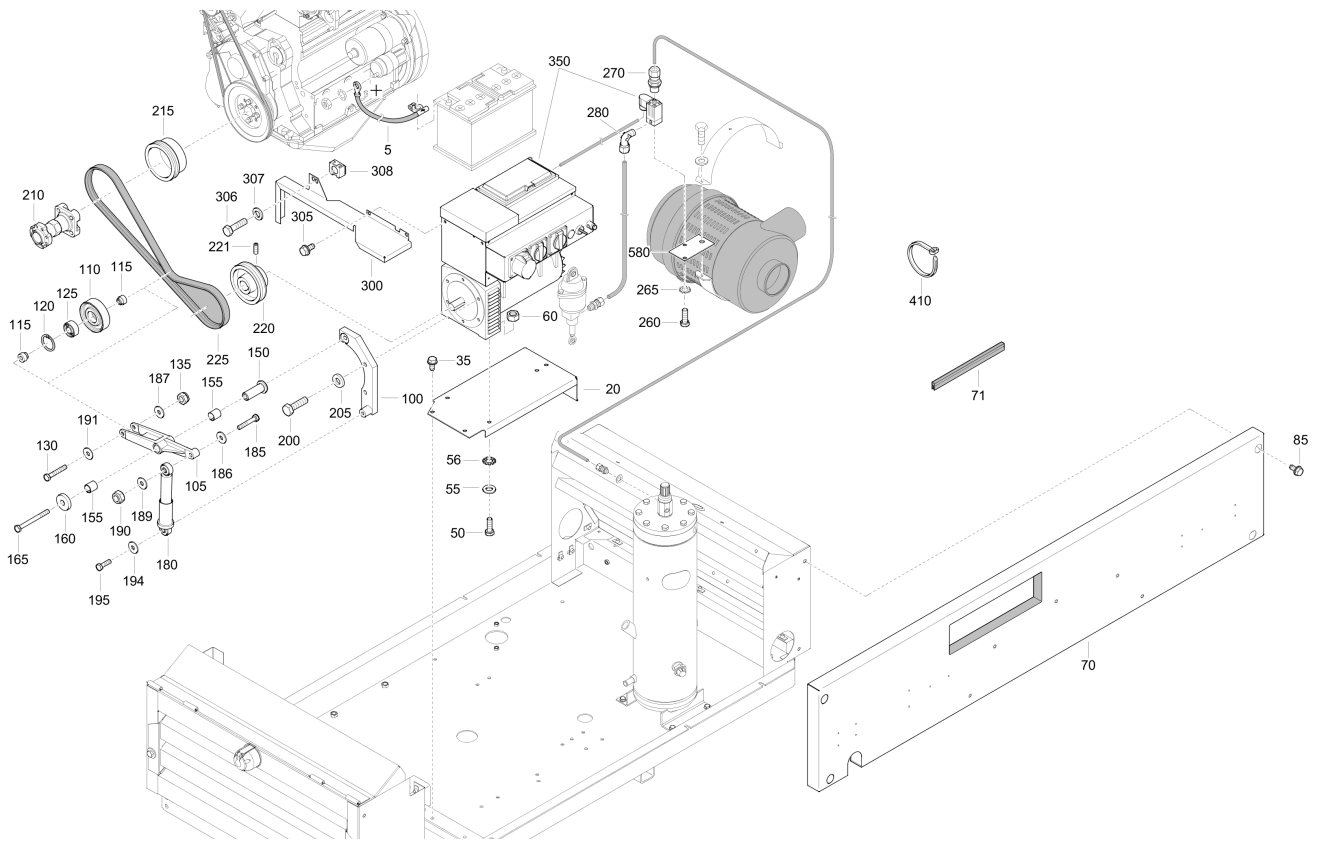
Item	Part No.	Name	Qty	L
5	1604961500	Cable battery	1	
20	1604399202	Support	1	
35	1619276600	Screw DIN933	4	
50	0147136303	Screw DIN933	3	
55	0301234400	Washer DIN125	3	
56	0333323200	Lock washer	3	
60	0266211100	Nut	3	
70	1604545882	PANEL ASSY	1	
71	1202658400	Seal	AR	
85	1619276600	Screw DIN933	8	
100	1604390300	Support	1	
105	1615866801	Lever	1	
110	1615867001	Pulley	1	
115	1615866900	Bushing	2	
120	0335213600	Circlip	1	
125	0502109138	Ball bearing	1	
130	0147133003	Hex. head screw	1	
135	0291111000	Locknut	1	
150	1615866700	Axle	1	
155	0500451022	Plain bearing	2	
160	0303127401	Plain washer DIN125	1	
165	0147133603	Hexagon bolt	1	
180	1615867100	Damper	1	
185	0147132903	Screw DIN931	1	
186	0300801900	Washer	2	
190	0291111000	Locknut	1	
195	0147132503	Hex. head screw	1	
200	0147132603	Screw DIN933	2	
205	0301233500	Washer DIN125	2	
210	1615860700	Fan adaptor	1	
215	1615867200	Pulley	1	
220	1615867700	Pulley	1	
221	0196132000	Set screw	1	
225	1626284900	Belt	1	
260	0147117103	Hexagon head screw	2	

Refer to the Parts Online web page for most up-to-date information. The printed information might be outdated.

Item	Part No.	Name	Qty	L
265	0333321400	Lock washer	2	
270	0581000054	Straight pipe coupling	1	
280	0581120016	Fitting	1	
300	1604390201	BELT GUARD	1	
305	1619276600	Screw DIN933	2	
306	0147132103	Screw DIN933	1	
307	0301233500	Washer DIN125	1	
308	1079290101	Cage nut	1	
350	1604399598	GENERATOR	1	
410	1088130103	Cable tie	4	
580	1604399401	Bracket	1	

This page intentionally left blank

Options 1611875914_19 GENERATOR KIT



Refer to the Parts Online web page for most up-to-date information. The printed information might be outdated.

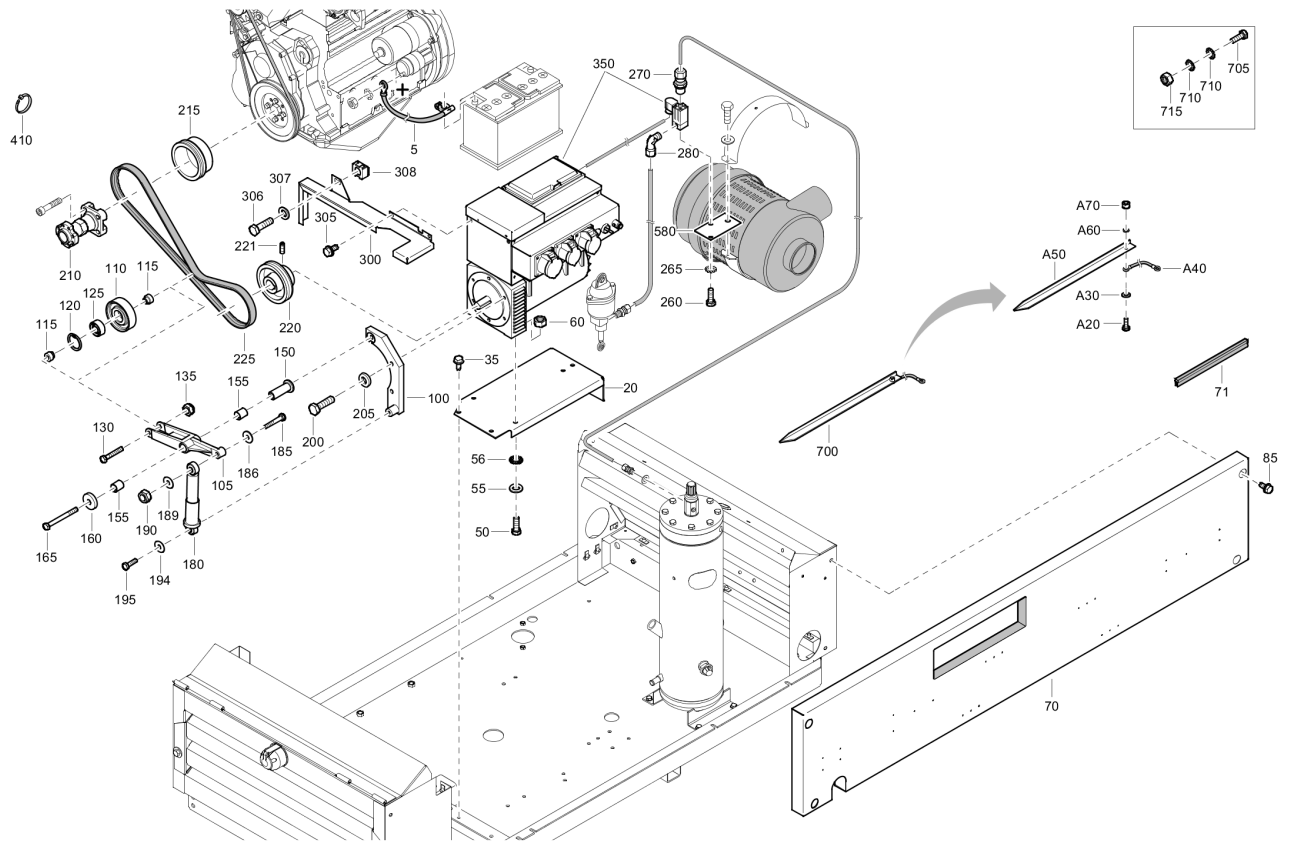
Item	Part No.	Name	Qty	L
5	1604961500	Cable battery	1	
20	1604399202	Support	1	
35	1619276600	Screw DIN933	4	
50	0147136303	Screw DIN933	3	
55	0301234400	Washer DIN125	3	
56	0333323200	Lock washer	3	
60	0266211100	Nut	3	
70	1604545882	PANEL ASSY	1	
71	1202658400	Seal	AR	
85	1619276600	Screw DIN933	8	
100	1604390300	Support	1	
105	1615866801	Lever	1	
110	1615867001	Pulley	1	
115	1615866900	Bushing	2	
120	0335213600	Circlip	1	
125	0502109138	Ball bearing	1	
130	0147133003	Hex. head screw	1	
135	0291111000	Locknut	1	
150	1615866700	Axle	1	
155	0500451022	Plain bearing	2	
160	0303127401	Plain washer DIN125	1	
165	0147133603	Hexagon bolt	1	
180	1615867100	Damper	1	
185	0147132903	Screw DIN931	1	
186	0300801900	Washer	2	
187	0300801900	Washer	1	
189	0300801900	Washer	1	
190	0291111000	Locknut	1	
191	0300801900	Washer	1	
194	0300801900	Washer	1	
195	0147132503	Hex. head screw	1	
200	0147132603	Screw DIN933	2	
205	0301233500	Washer DIN125	2	
210	1615860700	Fan adaptor	1	
215	1615867200	Pulley	1	

Refer to the Parts Online web page for most up-to-date information. The printed information might be outdated.

Item	Part No.	Name	Qty	L
220	1615867700	Pulley	1	
221	0196132000	Set screw	1	
225	1626284900	Belt	1	
260	0147117103	Hexagon head screw	2	
265	0333321400	Lock washer	2	
270	0581000054	Straight pipe coupling	1	
280	0581120016	Fitting	1	
300	1604390201	BELT GUARD	1	
305	1619276600	Screw DIN933	2	
306	0147132103	Screw DIN933	1	
307	0301233500	Washer DIN125	1	
308	1079290101	Cage nut	1	
350	1604399597	GENERATOR	1	
410	1088130103	Cable tie	4	
580	1604399401	Bracket	1	

This page intentionally left blank

Options 1611876014_20 GENERATOR KIT



Refer to the Parts Online web page for most up-to-date information. The printed information might be outdated.

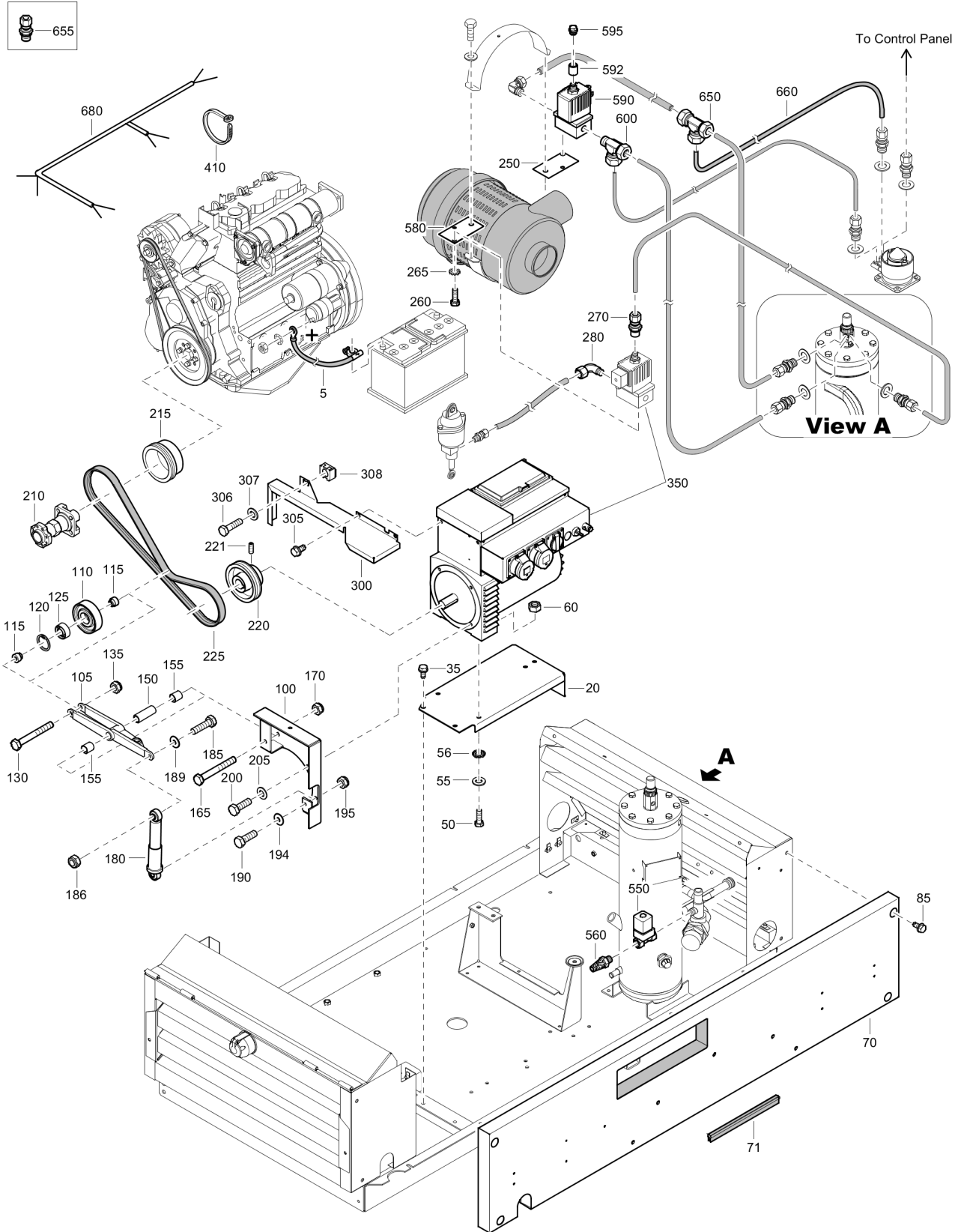
Item	Part No.	Name	Qty	L
5	1604961500	Cable battery	1	
20	1604399202	Support	1	
35	1619276600	Screw DIN933	4	
50	0147136303	Screw DIN933	3	
55	0301234400	Washer DIN125	3	
56	0333323200	Lock washer	3	
60	0266211100	Nut	3	
70	1604545882	PANEL ASSY	1	
71	1202658400	Seal	AR	
85	1619276600	Screw DIN933	8	
100	1604390300	Support	1	
105	1615866801	Lever	1	
110	1615867001	Pulley	1	
115	1615866900	Bushing	2	
120	0335213600	Circlip	1	
125	0502109138	Ball bearing	1	
130	0147133003	Hex. head screw	1	
135	0291111000	Locknut	1	
150	1615866700	Axle	1	
155	0500451022	Plain bearing	2	
160	0303127401	Plain washer DIN125	1	
165	0147133603	Hexagon bolt	1	
180	1615867100	Damper	1	
185	0147132903	Screw DIN931	1	
186	0300801900	Washer	2	
189	0300801900	Washer	1	
190	0291111000	Locknut	1	
194	0300801900	Washer	1	
195	0147132503	Hex. head screw	1	
200	0147132603	Screw DIN933	2	
205	0301233500	Washer DIN125	2	
210	1615860700	Fan adaptor	1	
215	1615867200	Pulley	1	
220	1615867700	Pulley	1	
221	0196132000	Set screw	1	

Refer to the Parts Online web page for most up-to-date information. The printed information might be outdated.

Item	Part No.	Name	Qty	L
225	1626284900	Belt	1	
260	0147117103	Hexagon head screw	2	
265	0333321400	Lock washer	2	
270	0581000054	Straight pipe coupling	1	
280	0581120016	Fitting	1	
300	1604390201	BELT GUARD	1	
305	1619276600	Screw DIN933	2	
306	0147132103	Screw DIN933	1	
307	0301233500	Washer DIN125	1	
308	1079290101	Cage nut	1	
350	1604399596	GENERATOR	1	
410	1088130103	Cable tie	4	
580	1604399401	Bracket	1	
700	1089935804	Earth pin	1	
705	0147132303	Screw DIN933	1	
710	0333322700	Lock washer	2	
715	0266211000	Nut DIN934	1	

This page intentionally left blank

Options 1611876114_18 GENERATOR KIT



Refer to the Parts Online web page for most up-to-date information. The printed information might be outdated.

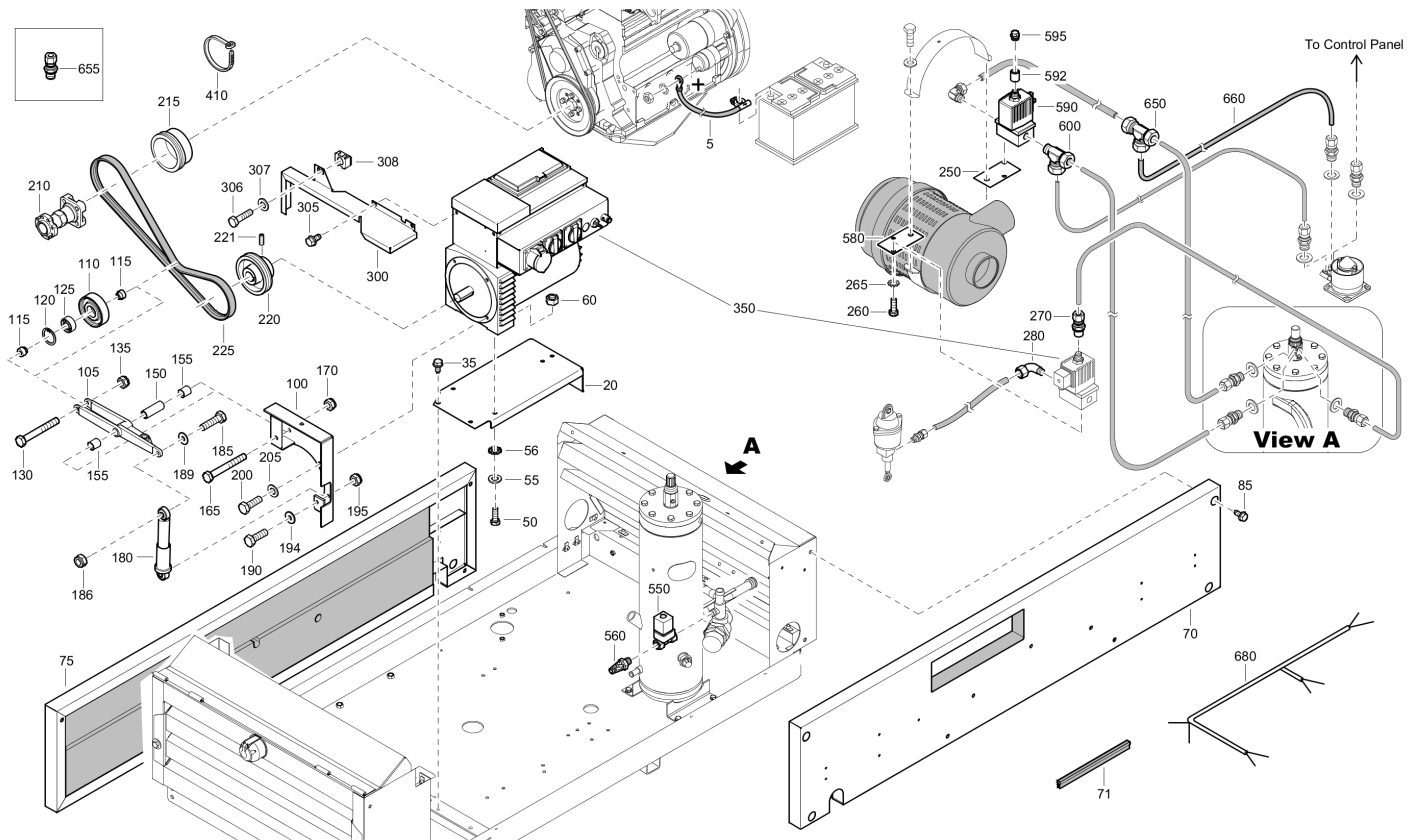
Item	Part No.	Name	Qty	L
5	1604961500	Cable battery	1	
20	1604399302	Support	1	
35	1619276600	Screw DIN933	4	
50	0147136303	Screw DIN933	3	
55	0301234400	Washer DIN125	3	
56	0333323200	Lock washer	3	
60	0266211100	Nut	3	
70	1604545882	PANEL ASSY	1	
71	1202658400	Seal	AR	
85	1619276600	Screw DIN933	8	
100	1604389700	Support	1	
105	1604050302	Lever	1	
110	1615867001	Pulley	1	
115	1615866900	Bushing	2	
120	0335213600	Circlip	1	
125	0502109138	Ball bearing	1	
130	0147133003	Hex. head screw	1	
135	0291111000	Locknut	1	
150	1604050200	Bushing	1	
155	0500451022	Plain bearing	2	
165	0147137103	Hexagon head screw	1	
170	0291111100	Nut DIN985	1	
180	1615867100	Damper	1	
185	0147132603	Screw DIN933	1	
186	0291111000	Locknut	2	
189	0300801900	Washer	1	
190	0147132603	Screw DIN933	1	
194	0300801900	Washer	1	
195	0291111000	Locknut	1	
200	0147136203	Screw DIN933	3	
205	0301234400	Washer DIN125	3	
210	1615860700	Fan adaptor	1	
215	1604390800	Pulley	1	
220	1604050401	Pulley	1	
221	0196132000	Set screw	1	

Refer to the Parts Online web page for most up-to-date information. The printed information might be outdated.

Item	Part No.	Name	Qty	L
225	1604407700	V-BELT	1	
250	1604399401	Bracket	1	
260	0147117103	Hexagon head screw	2	
265	0333321400	Lock washer	2	
270	0581000054	Straight pipe coupling	1	
280	0581120016	Fitting	1	
300	1604390201	BELT GUARD	1	
305	1619276600	Screw DIN933	2	
306	0147132103	Screw DIN933	1	
307	0301233500	Washer DIN125	1	
308	1079290101	Cage nut	1	
350	1604399787	Generator	1	
410	1088130103	Cable tie	4	
550	1089062007	Solenoid valve	1	
560	9090051000	Silencer	1	
580	1604399401	Bracket	1	
590	1089062171	Solenoid valve	1	
592	0607215102	Socket	1	
595	0686420103	Hexagon plug	1	
600	0582120009	Tee pipe coupling	1	
650	0582120012	Fitting	1	
655	0582120005	Coupling	1	
660	0070600204	Plastic tube	AR	
680	1604531400	Wire harness	1	

This page intentionally left blank

Options 1611876214_19 GENERATOR KIT



Item	Part No.	Name	Qty	L
5	1604961500	Cable battery	1	
20	1604399302	Support	1	
35	1619276600	Screw DIN933	4	
50	0147136303	Screw DIN933	3	
55	0301234400	Washer DIN125	3	
56	0333323200	Lock washer	3	
60	0266211100	Nut	3	
70	1604545882	PANEL ASSY	1	
71	1202658400	Seal	AR	
75	1604545282	PANEL ASSY	1	
85	1619276600	Screw DIN933	8	
100	1604389700	Support	1	
105	1604050302	Lever	1	
110	1615867001	Pulley	1	
115	1615866900	Bushing	2	
120	0335213600	Circlip	1	
125	0502109138	Ball bearing	1	
130	0147133003	Hex. head screw	1	
135	0291111000	Locknut	1	
150	1604050200	Bushing	1	
155	0500451022	Plain bearing	2	
165	0147137103	Hexagon head screw	1	
170	0291111100	Nut DIN985	1	
180	1615867100	Damper	1	
185	0147132603	Screw DIN933	1	
186	0291111000	Locknut	2	
189	0300801900	Washer	1	
190	0147132603	Screw DIN933	1	
194	0300801900	Washer	1	
195	0291111000	Locknut	1	
200	0147136203	Screw DIN933	3	
205	0301234400	Washer DIN125	3	
210	1615860700	Fan adaptor	1	
215	1604390800	Pulley	1	
220	1604050401	Pulley	1	

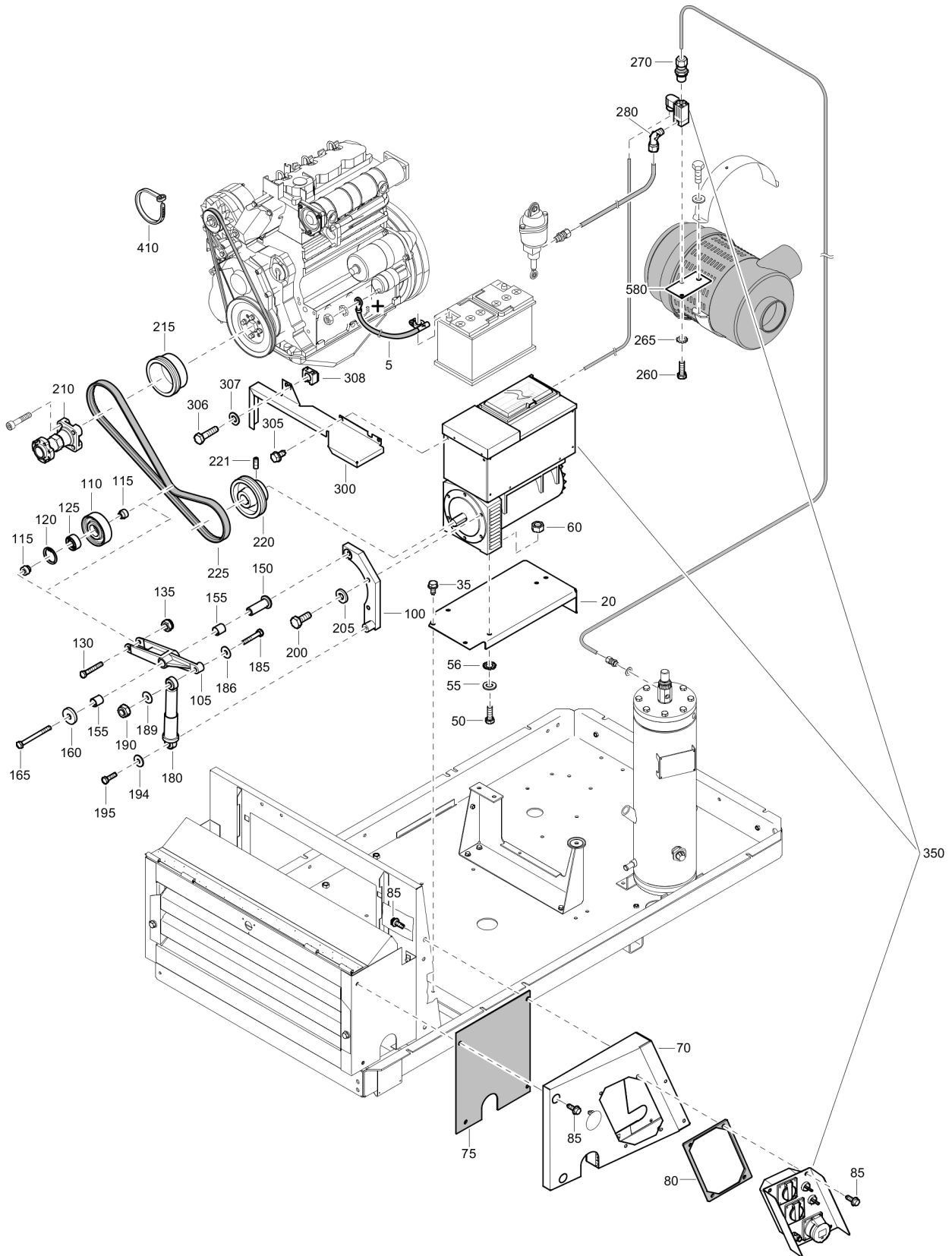
Refer to the Parts Online web page for most up-to-date information. The printed information might be outdated.

Item	Part No.	Name	Qty	L
221	0196132000	Set screw	1	
225	1604407700	V-BELT	1	
250	1604399401	Bracket	1	
260	0147117103	Hexagon head screw	2	
265	0333321400	Lock washer	2	
270	0581000054	Straight pipe coupling	1	
280	0581120016	Fitting	1	
300	1604390201	BELT GUARD	1	
305	1619276600	Screw DIN933	2	
306	0147132103	Screw DIN933	1	
307	0301233500	Washer DIN125	1	
308	1079290101	Cage nut	1	
350	1604399786	Generator	1	
410	1088130103	Cable tie	4	
550	1089062007	Solenoid valve	1	
560	9090051000	Silencer	1	
580	1604399401	Bracket	1	
590	1089062171	Solenoid valve	1	
592	0607215102	Socket	1	
595	0686420103	Hexagon plug	1	
600	0582120009	Tee pipe coupling	1	
650	0582120012	Fitting	1	
655	0582120005	Coupling	1	
660	0070600204	Plastic tube	AR	
680	1604531400	Wire harness	1	

Refer to the Parts Online web page for most up-to-date information. The printed information might be outdated.

This page intentionally left blank

Options 1611879114_01 GENERATOR KIT



Refer to the Parts Online web page for most up-to-date information. The printed information might be outdated.

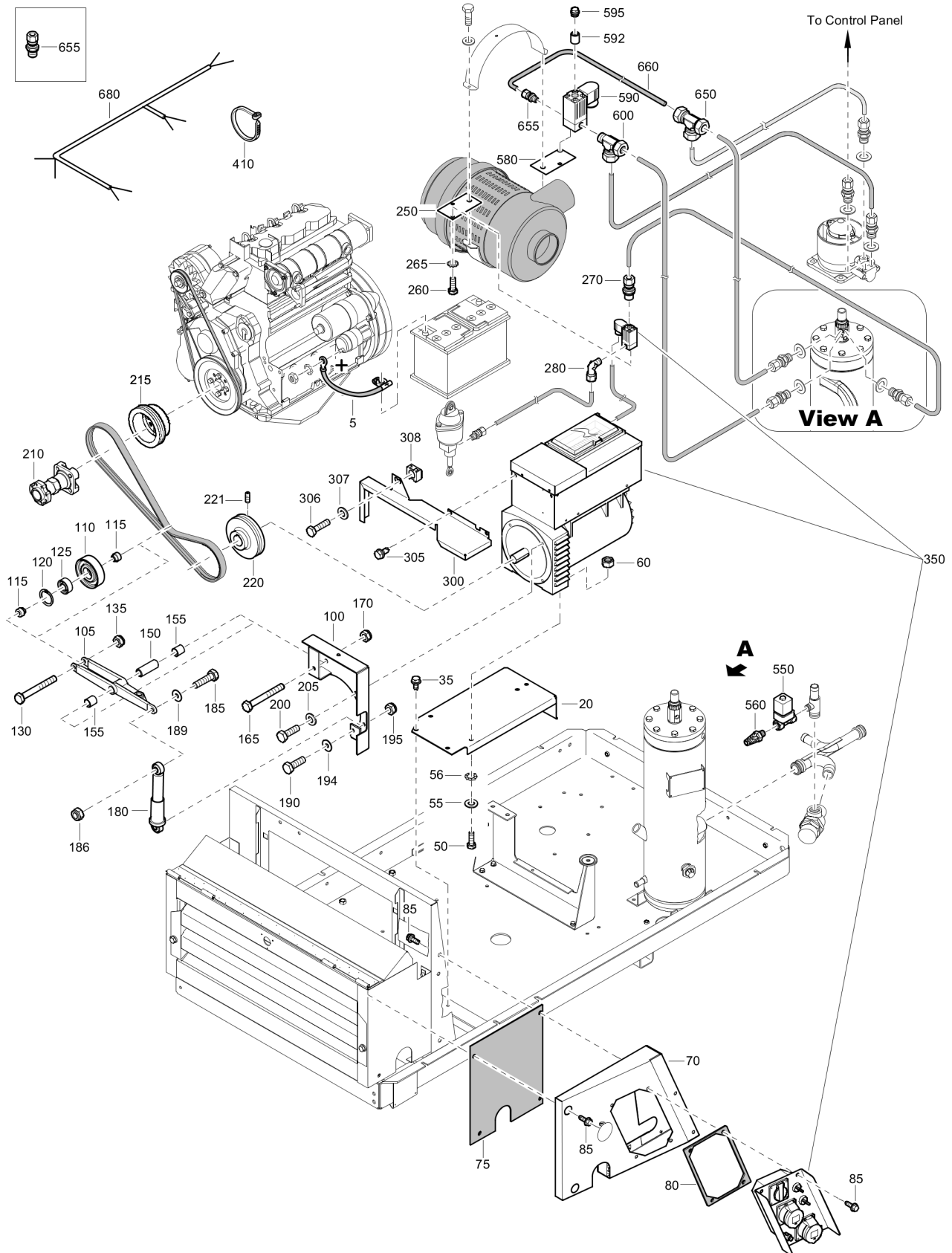
Item	Part No.	Name	Qty	L
5	1604961500	Cable battery	1	
20	1604399202	Support	1	
35	1619276600	Screw DIN933	4	
50	0147136303	Screw DIN933	3	
55	0301234400	Washer DIN125	3	
56	0333323200	Lock washer	3	
60	0266211100	Nut	3	
70	1626226900	Side panel	1	
75	1626252100	Insulation	1	
80	1626236100	Insulation	1	
85	1619276600	Screw DIN933	8	
100	1604390300	Support	1	
105	1615866801	Lever	1	
110	1615867001	Pulley	1	
115	1615866900	Bushing	2	
120	0335213600	Circlip	1	
125	0502109138	Ball bearing	1	
130	0147133003	Hex. head screw	1	
135	0291111000	Locknut	1	
150	1615866700	Axle	1	
155	0500451022	Plain bearing	2	
160	0303127401	Plain washer DIN125	1	
165	0147133603	Hexagon bolt	1	
180	1615867100	Damper	1	
185	0147132903	Screw DIN931	1	
186	0300801900	Washer	2	
189	0300801900	Washer	1	
190	0291111000	Locknut	1	
194	0300801900	Washer	1	
195	0147132503	Hex. head screw	1	
200	0147132603	Screw DIN933	2	
205	0301233500	Washer DIN125	2	
210	1615860700	Fan adaptor	1	
215	1615867200	Pulley	1	
220	1615867700	Pulley	1	

Refer to the Parts Online web page for most up-to-date information. The printed information might be outdated.

Item	Part No.	Name	Qty	L
221	0196132000	Set screw	1	
225	1626284900	Belt	1	
260	0147117103	Hexagon head screw	2	
265	0333321400	Lock washer	2	
270	0581000054	Straight pipe coupling	1	
280	0581120016	Fitting	1	
300	1604390201	BELT GUARD	1	
305	1619276600	Screw DIN933	2	
306	0147132103	Screw DIN933	1	
307	0301233500	Washer DIN125	1	
308	1079290101	Cage nut	1	
350	1626271800	Generator	1	
410	1088130103	Cable tie	4	
580	1604399401	Bracket	1	

This page intentionally left blank

Options 1611879314_01 GENERATOR KIT



Refer to the Parts Online web page for most up-to-date information. The printed information might be outdated.

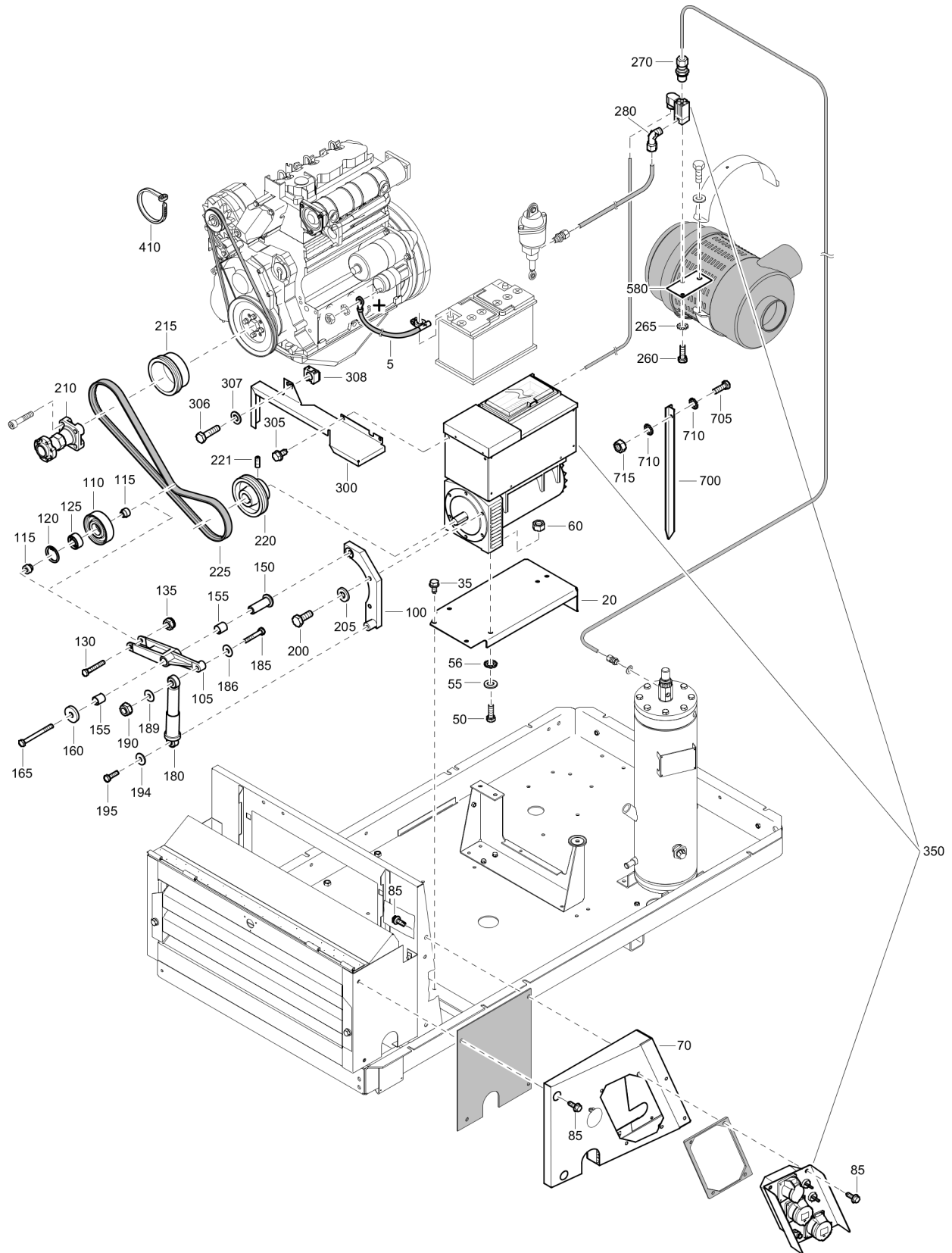
Item	Part No.	Name	Qty	L
5	1604961500	Cable battery	1	
20	1604399302	Support	1	
35	1619276600	Screw DIN933	4	
50	0147136303	Screw DIN933	3	
55	0301234400	Washer DIN125	3	
56	0333323200	Lock washer	3	
60	0266211100	Nut	3	
70	1626226900	Side panel	1	
75	1626252100	Insulation	1	
80	1626236100	Insulation	1	
85	1619276600	Screw DIN933	8	
100	1604389700	Support	1	
105	1604050302	Lever	1	
110	1615867001	Pulley	1	
115	1615866900	Bushing	2	
120	0335213600	Circlip	1	
125	0502109138	Ball bearing	1	
130	0147133003	Hex. head screw	1	
135	0291111000	Locknut	1	
150	1604050200	Bushing	1	
155	0500451022	Plain bearing	2	
165	0147137103	Hexagon head screw	1	
170	0291111100	Nut DIN985	1	
180	1615867100	Damper	1	
185	0147132603	Screw DIN933	1	
186	0291111000	Locknut	2	
189	0300801900	Washer	1	
190	0147132603	Screw DIN933	1	
194	0300801900	Washer	1	
195	0291111000	Locknut	1	
200	0147136203	Screw DIN933	3	
205	0301234400	Washer DIN125	3	
210	1615860700	Fan adaptor	1	
215	1604390800	Pulley	1	
220	1604050401	Pulley	1	

Refer to the Parts Online web page for most up-to-date information. The printed information might be outdated.

Item	Part No.	Name	Qty	L
221	0196132000	Set screw	1	
250	1604399401	Bracket	1	
260	0147117103	Hexagon head screw	2	
265	0333321400	Lock washer	2	
270	0581000054	Straight pipe coupling	1	
280	0581120016	Fitting	1	
300	1604390201	BELT GUARD	1	
305	1619276600	Screw DIN933	2	
306	0147132103	Screw DIN933	1	
307	0301233500	Washer DIN125	1	
308	1079290101	Cage nut	1	
350	1626251700	Generator	1	
410	1088130103	Cable tie	4	
550	1089062007	Solenoid valve	1	
560	9090051000	Silencer	1	
580	1604399401	Bracket	1	
590	1089062171	Solenoid valve	1	
592	0607215102	Socket	1	
595	0686420103	Hexagon plug	1	
600	0582120009	Tee pipe coupling	1	
650	0582120012	Fitting	1	
655	0582120005	Coupling	1	
660	0070600204	Plastic tube	AR	
680	1604531400	Wire harness	1	

This page intentionally left blank

Options 1611879514_01 GENERATOR KIT



Refer to the Parts Online web page for most up-to-date information. The printed information might be outdated.

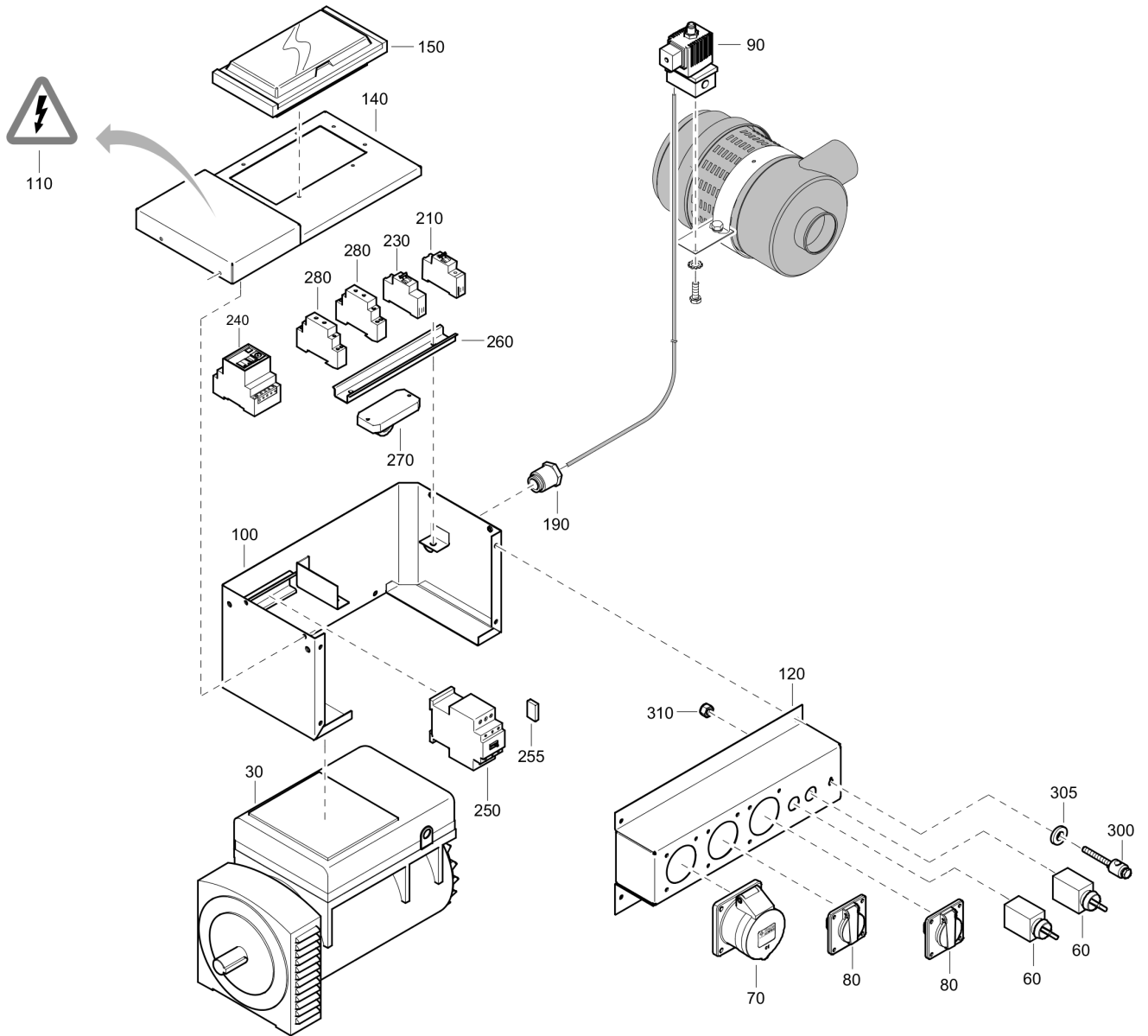
Item	Part No.	Name	Qty	L
5	1604961500	Cable battery	1	
20	1604399202	Support	1	
35	1619276600	Screw DIN933	4	
50	0147136303	Screw DIN933	3	
55	0301234400	Washer DIN125	3	
56	0333323200	Lock washer	3	
60	0266211100	Nut	3	
70	1626226900	Side panel	1	
85	1619276600	Screw DIN933	8	
100	1604390300	Support	1	
105	1615866801	Lever	1	
110	1615867001	Pulley	1	
115	1615866900	Bushing	2	
120	0335213600	Circlip	1	
125	0502109138	Ball bearing	1	
130	0147133003	Hex. head screw	1	
135	0291111000	Locknut	1	
150	1615866700	Axle	1	
155	0500451022	Plain bearing	2	
160	0303127401	Plain washer DIN125	1	
165	0147133603	Hexagon bolt	1	
180	1615867100	Damper	1	
185	0147132903	Screw DIN931	1	
186	0300801900	Washer	2	
189	0300801900	Washer	1	
190	0291111000	Locknut	1	
194	0300801900	Washer	1	
195	0147132503	Hex. head screw	1	
200	0147132603	Screw DIN933	2	
205	0301233500	Washer DIN125	2	
210	1615860700	Fan adaptor	1	
215	1615867200	Pulley	1	
220	1615867700	Pulley	1	
221	0196132000	Set screw	1	
225	1626284900	Belt	1	

Refer to the Parts Online web page for most up-to-date information. The printed information might be outdated.

Item	Part No.	Name	Qty	L
260	0147117103	Hexagon head screw	2	
265	0333321400	Lock washer	2	
270	0581000054	Straight pipe coupling	1	
280	0581120016	Fitting	1	
300	1604390201	BELT GUARD	1	
305	1619276600	Screw DIN933	2	
306	0147132103	Screw DIN933	1	
307	0301233500	Washer DIN125	1	
308	1079290101	Cage nut	1	
350	1626271900	Generator	1	
410	1088130103	Cable tie	4	
580	1604399401	Bracket	1	
700	1089935804	Earth pin	1	
705	0147132303	Screw DIN933	1	
710	0333322700	Lock washer	2	
715	0266211000	Nut DIN934	1	

This page intentionally left blank

Options 1604399599_01 GENERATOR 6KVA 230/400V

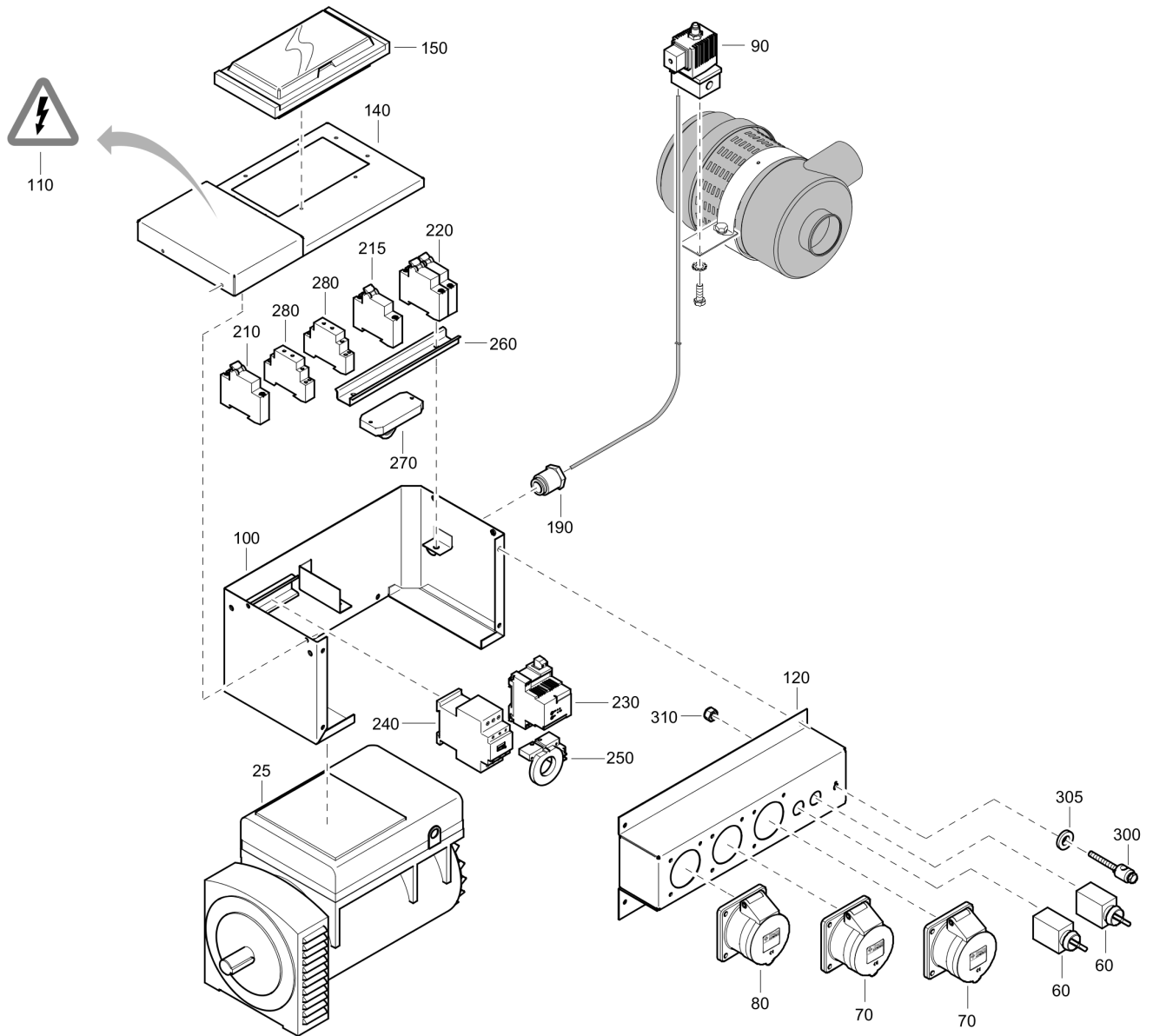


Refer to the Parts Online web page for most up-to-date information. The printed information might be outdated.

Item	Part No.	Name	Qty	L
30	1604798500	Alternator	1	
60	1089026346	Knob	2	
70	1089066212	Socket outlet	1	
80	1089066201	Socket outlet	2	
90	1089062144	Solenoid valve	1	
100	1604399504	Cubicle	1	
110	1088100101	Information label	1	
120	1604399604	Panel	1	
140	1604389302	Plate	1	
150	1615842900	Door	1	
190	0698612564	Conduit fitting	1	
210	1089947219	CIRCUIT BREAKER	1	
230	1089947311	SHUNT TRIP COIL	1	
240	1626990900	Relay	1	
250	1089957831	Contactora	1	
255	1089957829	Diode	1	
260	0090140002	Mounting rail	AR	
270	1604580700	Ecologizer	1	
280	1089953701	Time relay	2	
300	1615728000	Terminal	1	
305	0300027411	Washer	1	
310	0266211000	Nut DIN934	1	

Refer to the Parts Online web page for most up-to-date information. The printed information might be outdated.

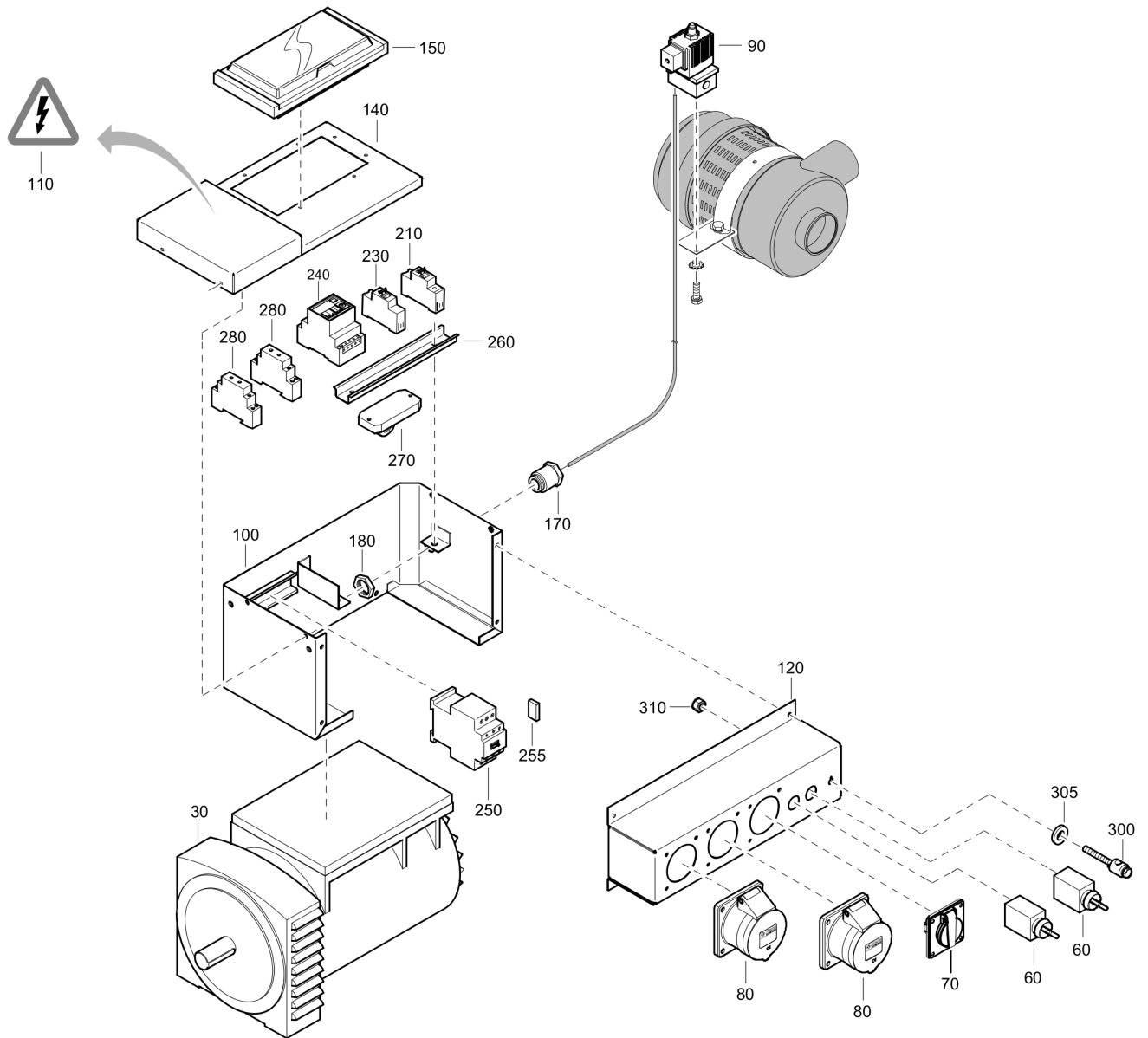
Options 1604399595_00 GENERATOR 6KVA 100V



Refer to the Parts Online web page for most up-to-date information. The printed information might be outdated.

Item	Part No.	Name	Qty	L
25	1604798400	ALTERNATOR	1	
60	1089026346	Knob	2	
70	1089066214	Socket outlet	2	
80	1089066215	Socket outlet	1	
90	1089062144	Solenoid valve	1	
100	1604399504	Cubicle	1	
110	1088100101	Information label	1	
120	1604399604	Panel	1	
140	1604389302	Plate	1	
150	1615842900	Door	1	
190	0698612564	Conduit fitting	1	
210	1089958323	Circuit breaker	1	
215	1089958322	Circuit breaker	1	
220	1089958321	Circuit breaker	2	
230	1089947354	Relay regulable	1	
240	1089957830	Contactora	1	
250	1089947355	Toroidal transformer	1	
260	0090140002	Mounting rail	AR	
270	1604580700	Ecologizer	1	
280	1089953701	Time relay	2	
300	1615728000	Terminal	1	
305	0300027411	Washer	1	
310	0266211000	Nut DIN934	1	

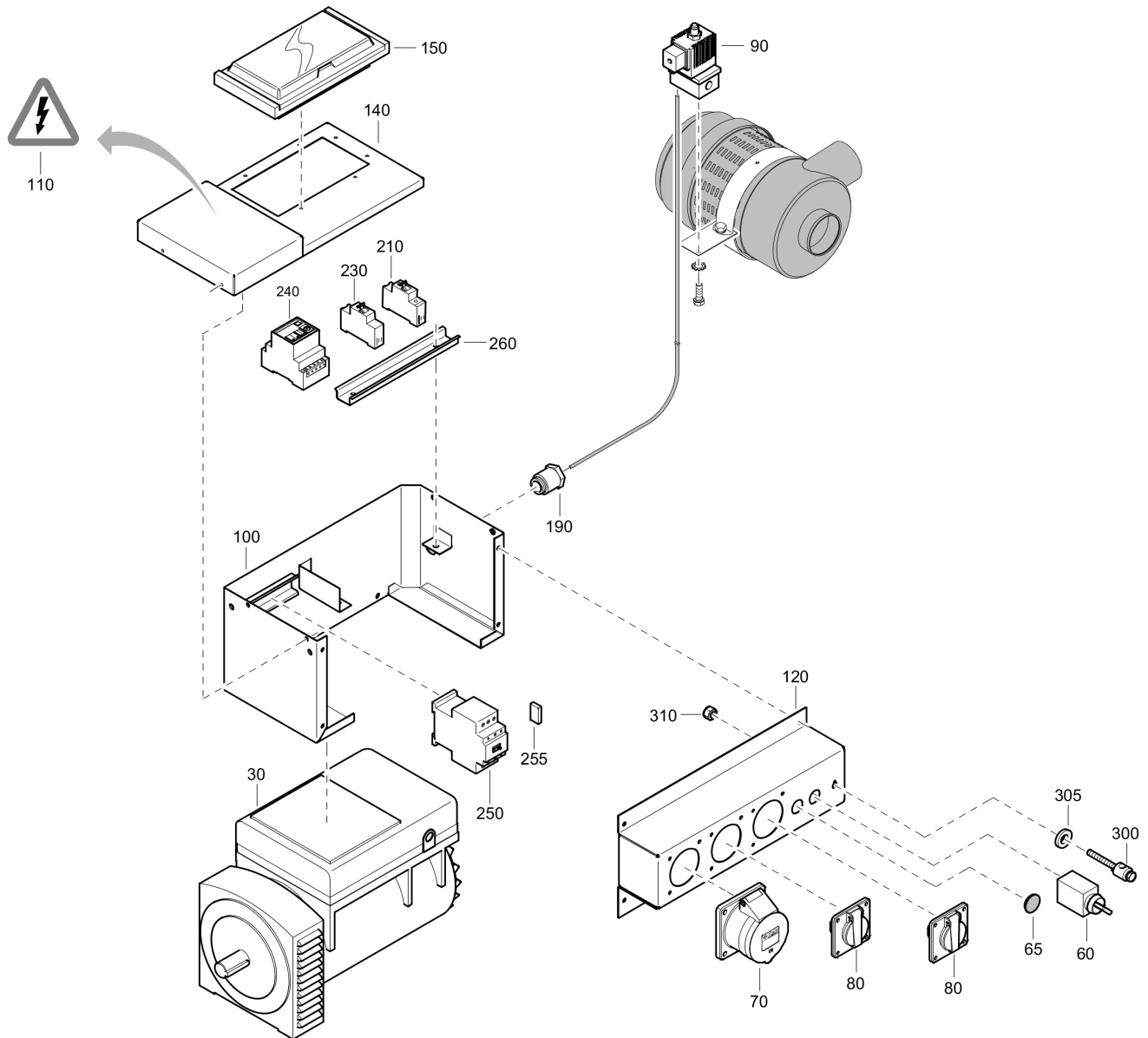
Options 1604399788_01 Generator 12 KVA 230/400 V



Refer to the Parts Online web page for most up-to-date information. The printed information might be outdated.

Item	Part No.	Name	Qty	L
30	1604798600	ALTERNATOR	1	
60	1089026346	Knob	2	
70	1089066201	Socket outlet	1	
80	1089066212	Socket outlet	2	
90	1089062144	Solenoid valve	1	
100	1604399705	CUBICLE	1	
110	1088100101	Information label	1	
120	1604399806	PANEL	1	
140	1604389302	Plate	1	
150	1615842900	Door	1	
170	0698612564	Conduit fitting	1	
180	1088030204	Nut	1	
210	1089947208	CIRCUIT BREAKER	1	
230	1089947311	SHUNT TRIP COIL	1	
240	1626990900	Relay	1	
250	1089957831	Contactora	1	
255	1089957829	Diode	1	
260	0090140002	Mounting rail	AR	
270	1604580700	Ecologizer	1	
280	1089953701	Time relay	2	
300	1615728000	Terminal	1	
305	0300027411	Washer	1	
310	0266211000	Nut DIN934	1	

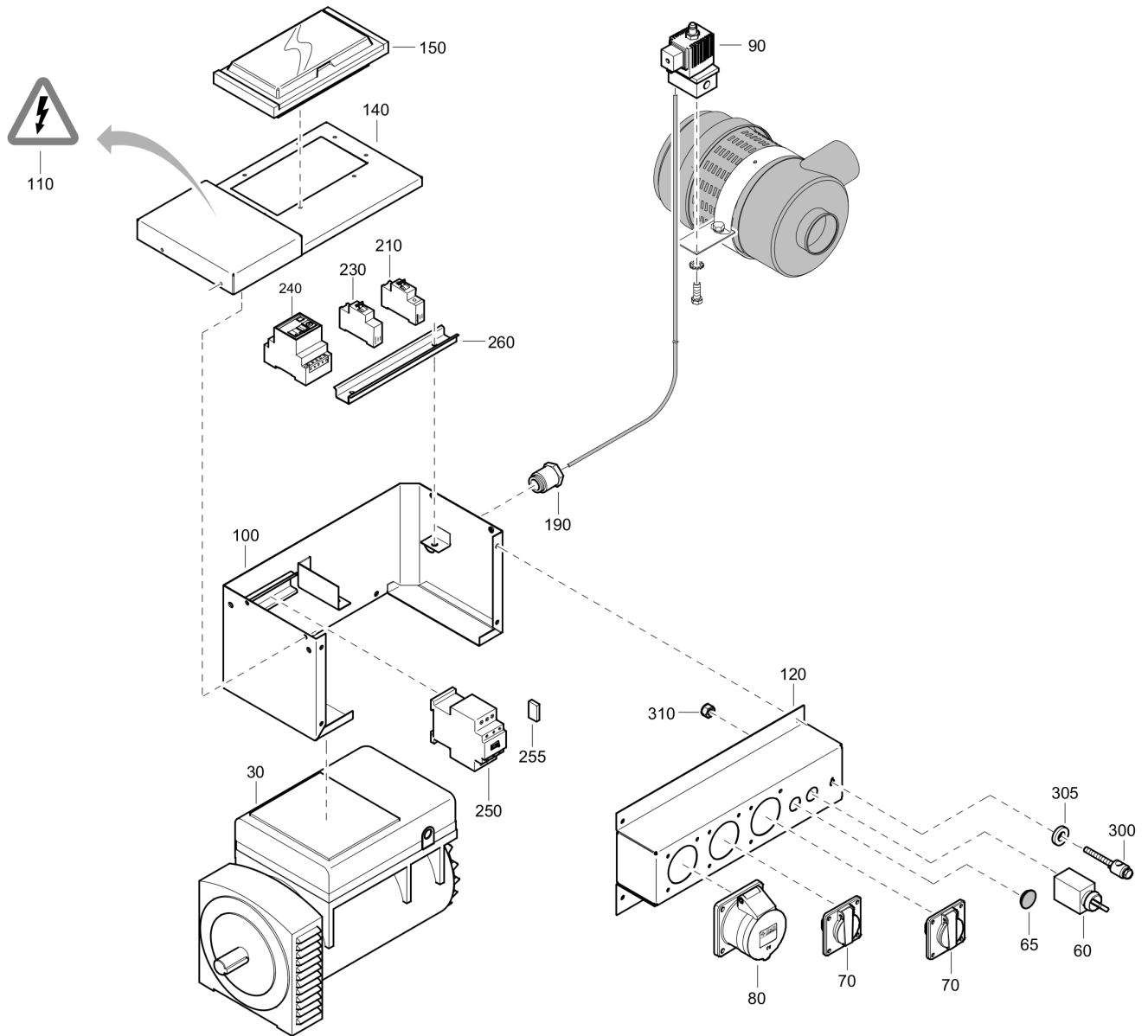
Options 1604399598_01 GENERATOR 6KVA 230/400V



Refer to the Parts Online web page for most up-to-date information. The printed information might be outdated.

Item	Part No.	Name	Qty	L
30	1604798500	Alternator	1	
60	1089026346	Knob	1	
65	1089036259	Plug	1	
70	1089066212	Socket outlet	1	
80	1089066201	Socket outlet	2	
90	1089062144	Solenoid valve	1	
100	1604399504	Cubicle	1	
110	1088100101	Information label	1	
120	1604399604	Panel	1	
140	1604389302	Plate	1	
150	1615842900	Door	1	
190	0698612564	Conduit fitting	1	
210	1089947219	CIRCUIT BREAKER	1	
230	1089947311	SHUNT TRIP COIL	1	
240	1626990900	Relay	1	
250	1089957831	Contactactor	1	
255	1089957829	Diode	1	
260	0090140002	Mounting rail	AR	
300	1615728000	Terminal	1	
305	0300027411	Washer	1	
310	0266211000	Nut DIN934	1	

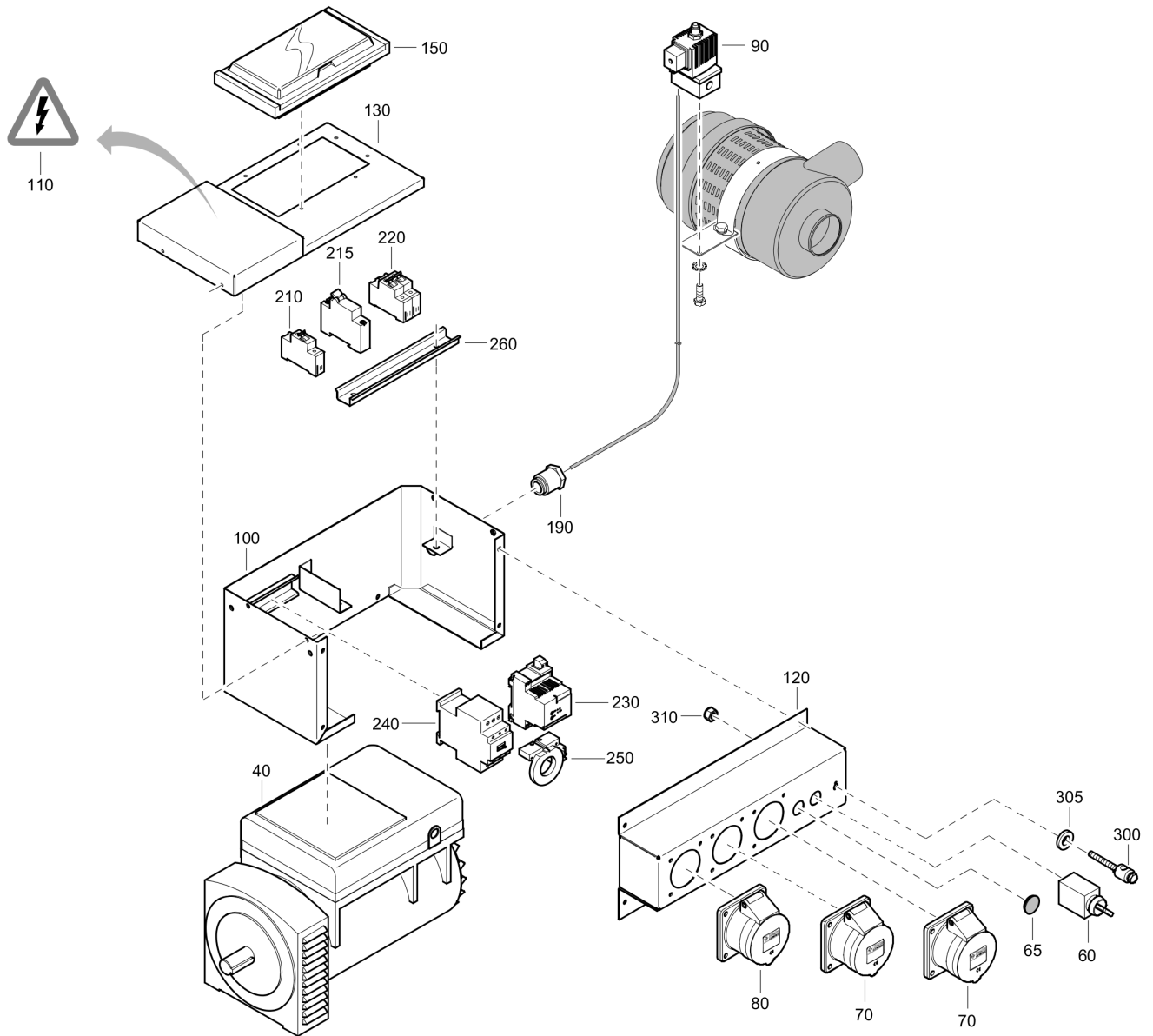
Options 1604399597_01 GENERATOR 6KVA 230V



Refer to the Parts Online web page for most up-to-date information. The printed information might be outdated.

Item	Part No.	Name	Qty	L
30	1604798500	Alternator	1	
60	1089026346	Knob	1	
65	1089036259	Plug	1	
70	1089066201	Socket outlet	2	
80	1089066213	SOCKET OUTLET	1	
90	1089062144	Solenoid valve	1	
100	1604399504	Cubicle	1	
110	1088100101	Information label	1	
120	1604399604	Panel	1	
140	1604389302	Plate	1	
150	1615842900	Door	1	
190	0698612564	Conduit fitting	1	
210	1089947207	CIRCUIT BREAKER	1	
230	1089947311	SHUNT TRIP COIL	1	
240	1626990900	Relay	1	
250	1089957831	Contactactor	1	
255	1089957829	Diode	1	
260	0090140002	Mounting rail	AR	
300	1615728000	Terminal	1	
305	0300027411	Washer	1	
310	0266211000	Nut DIN934	1	

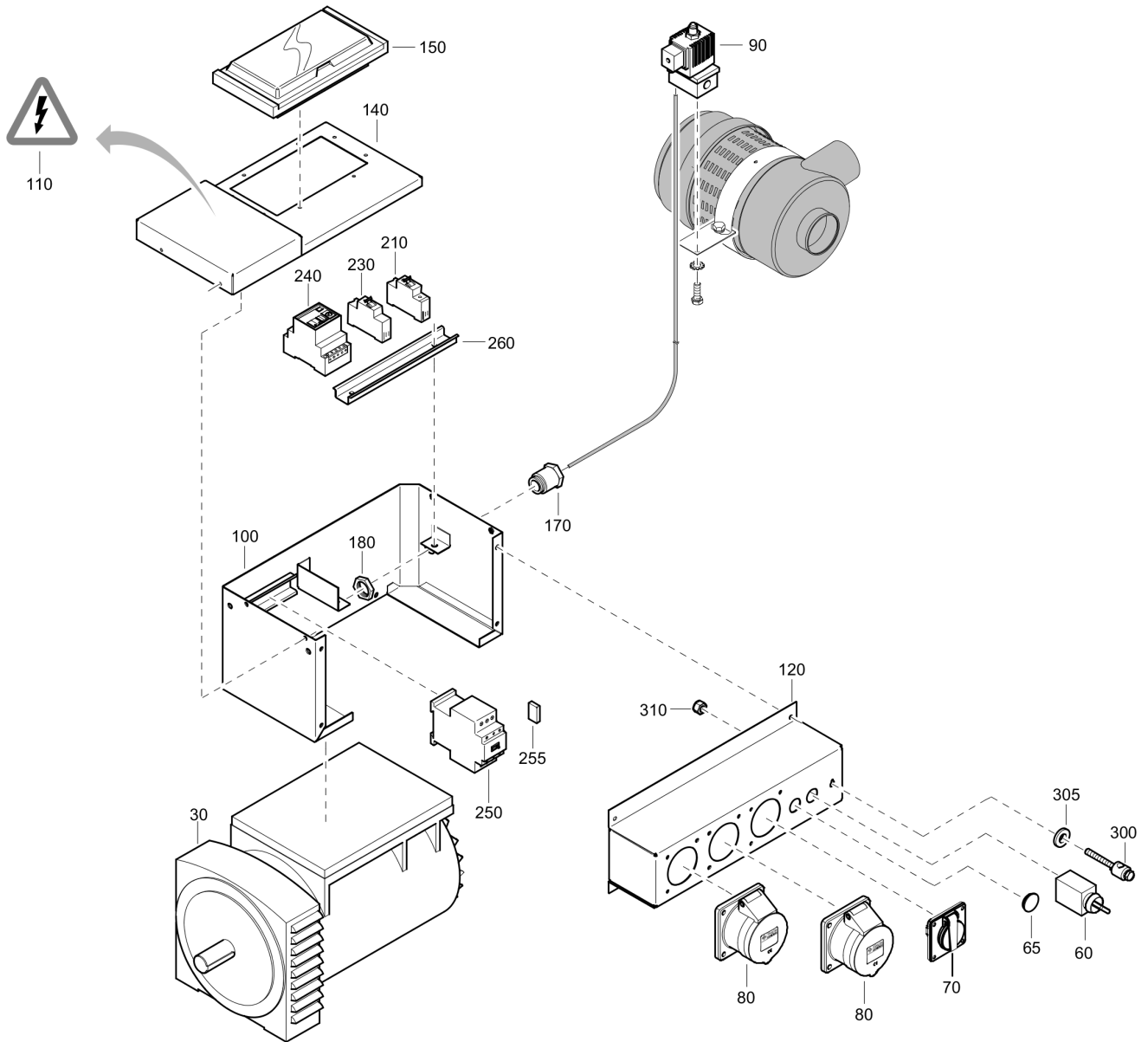
Options 1604399596_01 GENERATOR 6KVA 110 V



Refer to the Parts Online web page for most up-to-date information. The printed information might be outdated.

Item	Part No.	Name	Qty	L
40	1604798400	ALTERNATOR	1	
60	1089026346	Knob	1	
65	1089036259	Plug	1	
70	1089066214	Socket outlet	2	
80	1089066215	Socket outlet	1	
90	1089062144	Solenoid valve	1	
100	1604399504	Cubicle	1	
110	1088100101	Information label	1	
120	1604399604	Panel	1	
130	1604389302	Plate	1	
150	1615842900	Door	1	
190	0698612564	Conduit fitting	1	
210	1089947205	CIRCUIT BREAKER	1	
215	1089947215	CIRCUIT BRAKER	1	
220	1089947203	CIRCUIT BREAKER	2	
230	1089947354	Relay regulable	1	
240	1089957830	Contactora	1	
250	1089947355	Toroidal transformer	1	
260	0090140002	Mounting rail	AR	
300	1615728000	Terminal	1	
305	0300027411	Washer	1	
310	0266211000	Nut DIN934	1	

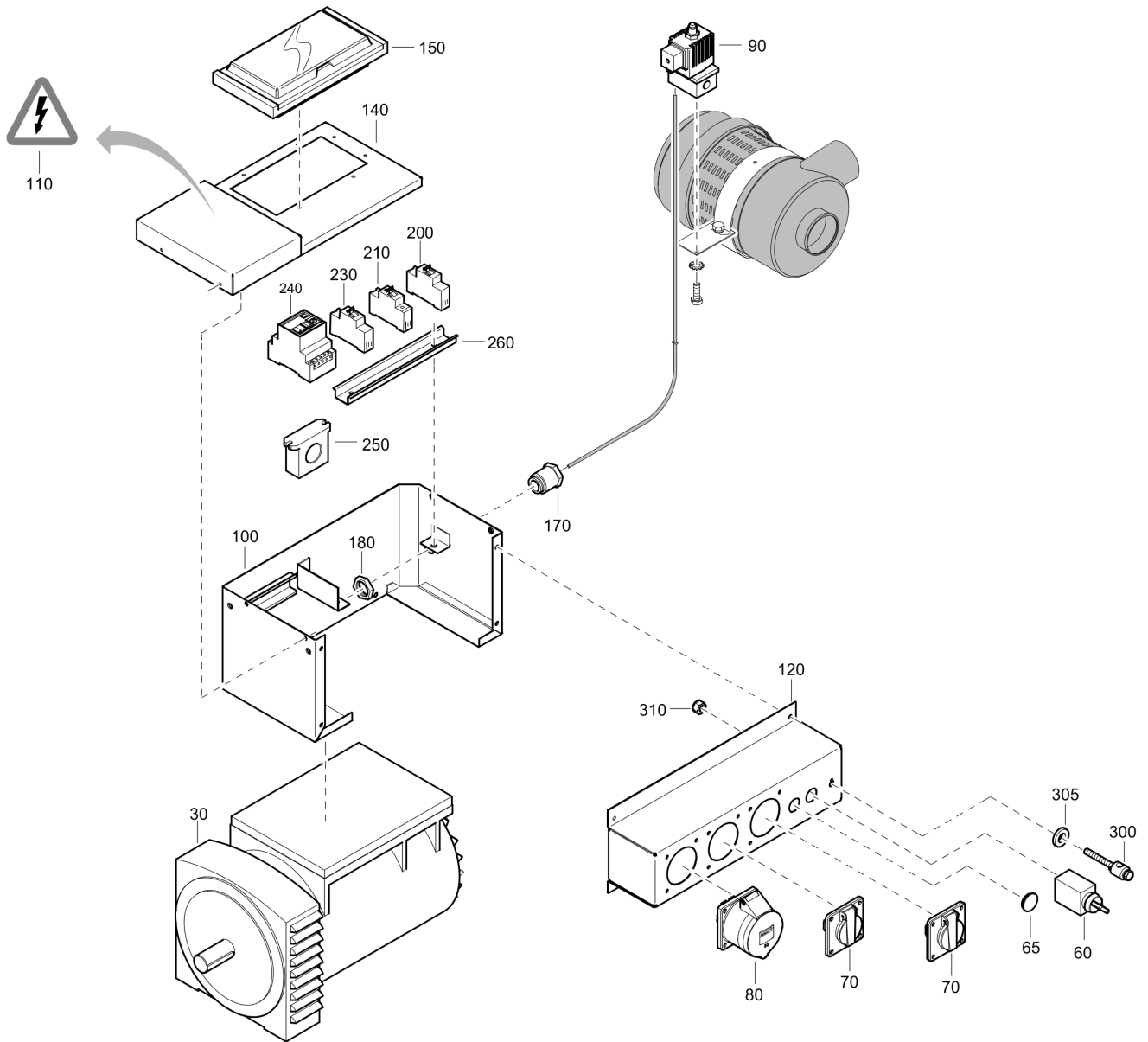
Options 1604399787_01 GENERATOR 12 KVA 230 / 400 V



Refer to the Parts Online web page for most up-to-date information. The printed information might be outdated.

Item	Part No.	Name	Qty	L
30	1604798600	ALTERNATOR	1	
60	1089026346	Knob	1	
65	1089036259	Plug	1	
70	1089066201	Socket outlet	1	
80	1089066212	Socket outlet	2	
90	1089062144	Solenoid valve	1	
100	1604399705	CUBICLE	1	
110	1088100101	Information label	1	
120	1604399806	PANEL	1	
140	1604389302	Plate	1	
150	1615842900	Door	1	
170	0698612564	Conduit fitting	1	
180	1088030204	Nut	1	
210	1089947208	CIRCUIT BREAKER	1	
230	1089947311	SHUNT TRIP COIL	1	
240	1626990900	Relay	1	
250	1089957831	Contactoer	1	
255	1089957829	Diode	1	
260	0090140002	Mounting rail	AR	
300	1615728000	Terminal	1	
305	0300027411	Washer	1	
310	0266211000	Nut DIN934	1	

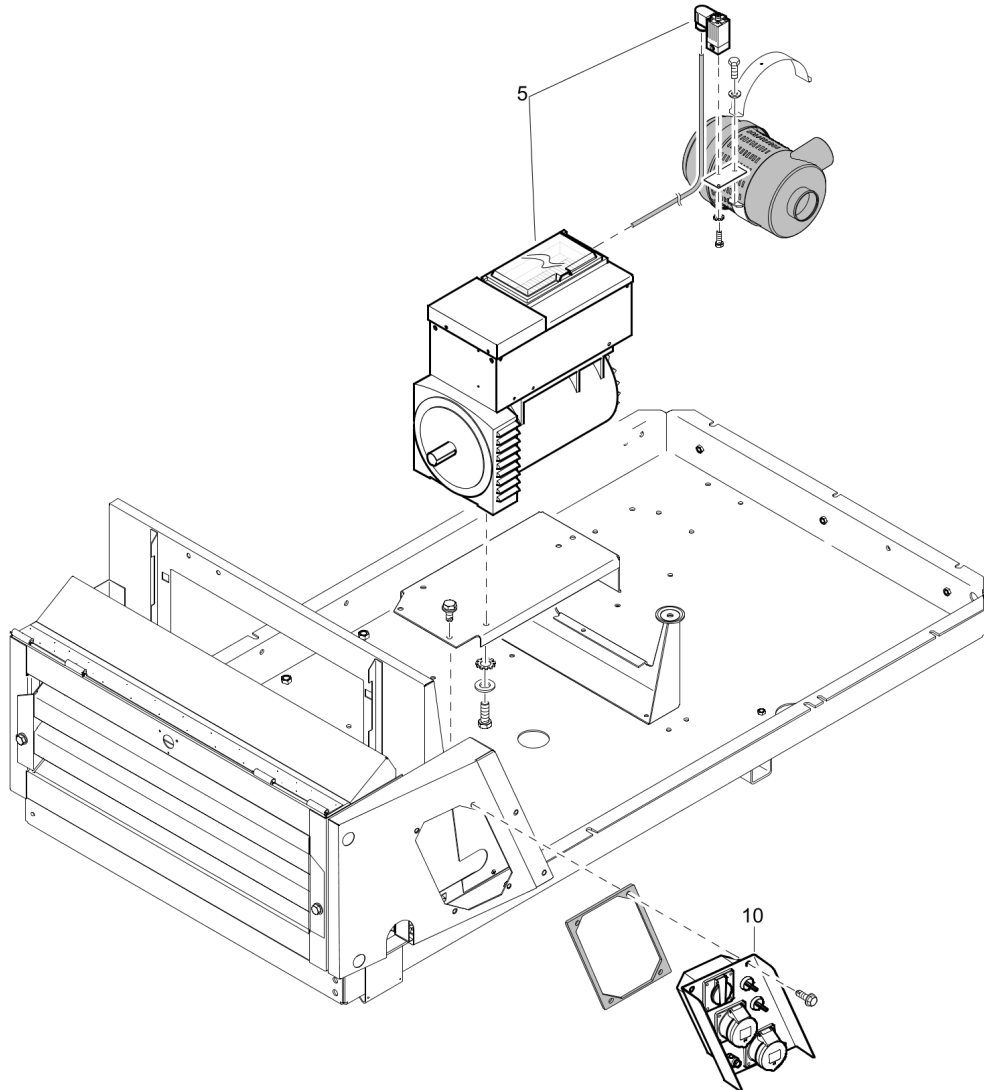
Options 1604399786_02 GENERATOR 12 KVA 230 V



Refer to the Parts Online web page for most up-to-date information. The printed information might be outdated.

Item	Part No.	Name	Qty	L
30	1604798600	ALTERNATOR	1	
60	1089026346	Knob	1	
65	1089036259	Plug	1	
70	1089066201	Socket outlet	2	
80	1089066216	SOCKET OUTLET	1	
90	1089062144	Solenoid valve	1	
100	1604399705	CUBICLE	1	
110	1088100101	Information label	1	
120	1604399806	PANEL	1	
140	1604389302	Plate	1	
150	1615842900	Door	1	
170	0698612564	Conduit fitting	1	
180	1088030204	Nut	1	
200	1089947203	CIRCUIT BREAKER	1	
210	1089966104	CIRCUIT BREAK.	1	
230	1089947311	SHUNT TRIP COIL	1	
240	1626990900	Relay	1	
250	1089957807	CONTACTOR	1	
260	0090140002	Mounting rail	AR	
300	1615728000	Terminal	1	
305	0300027411	Washer	1	
310	0266211000	Nut DIN934	1	

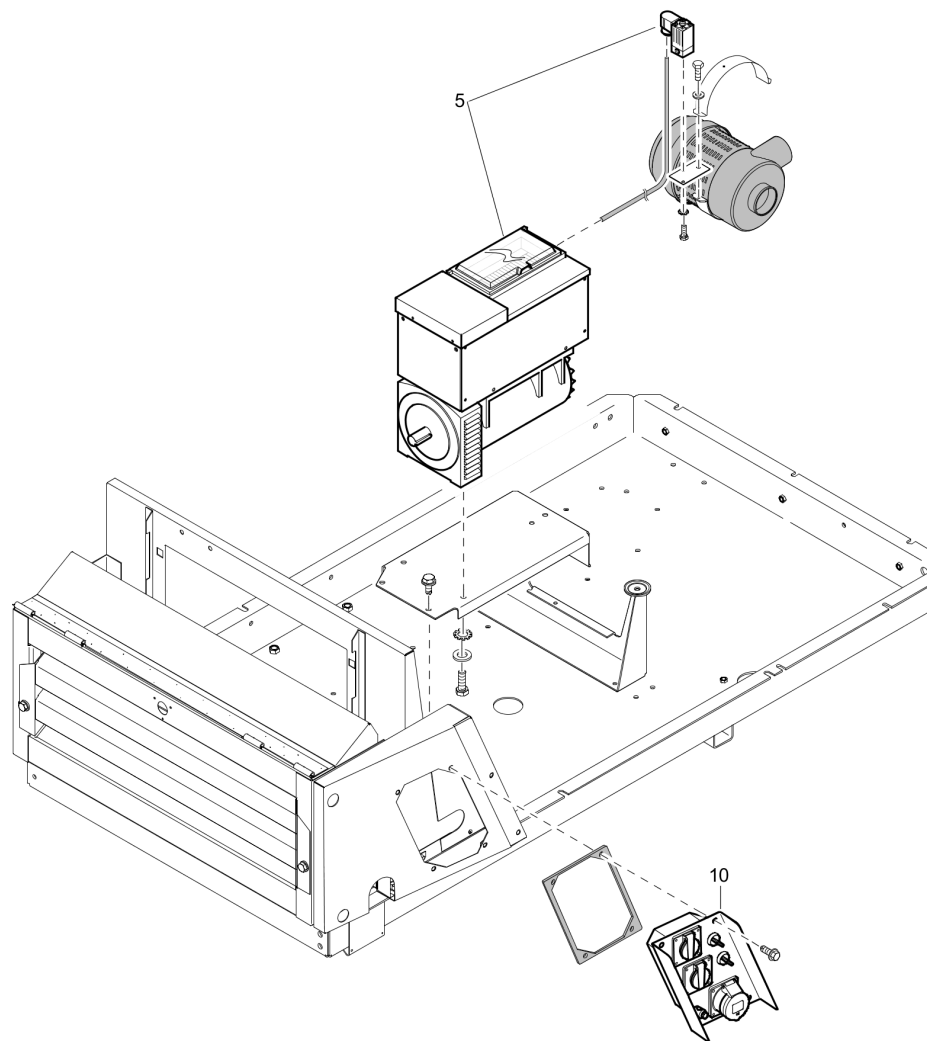
Options 1626251700_01 GENERATOR 12 KVA, 230/400V



Refer to the Parts Online web page for most up-to-date information. The printed information might be outdated.

Item	Part No.	Name	Qty	L
5	1626251780	GENERATOR	1	
10	1626251781	OUTLET SOCKETS	1	

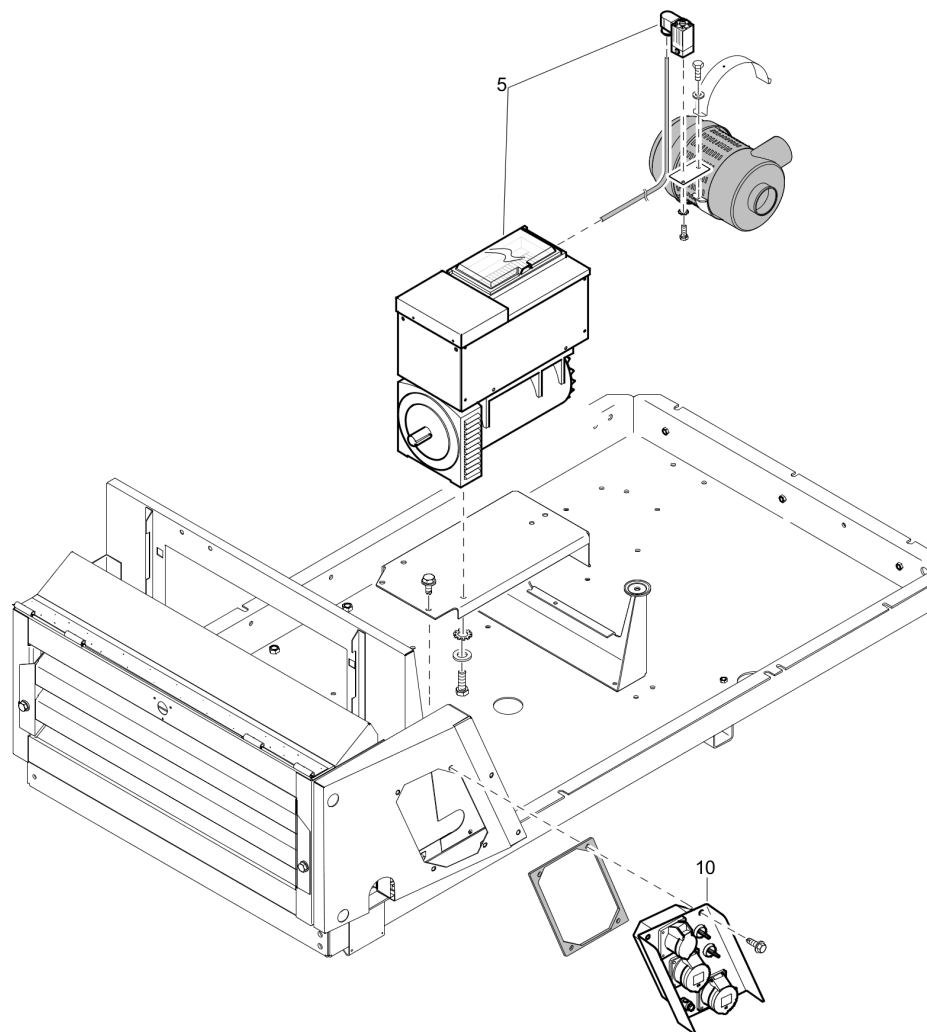
Options 1626271800_01 GENERATOR 6.5 KVA



Refer to the Parts Online web page for most up-to-date information. The printed information might be outdated.

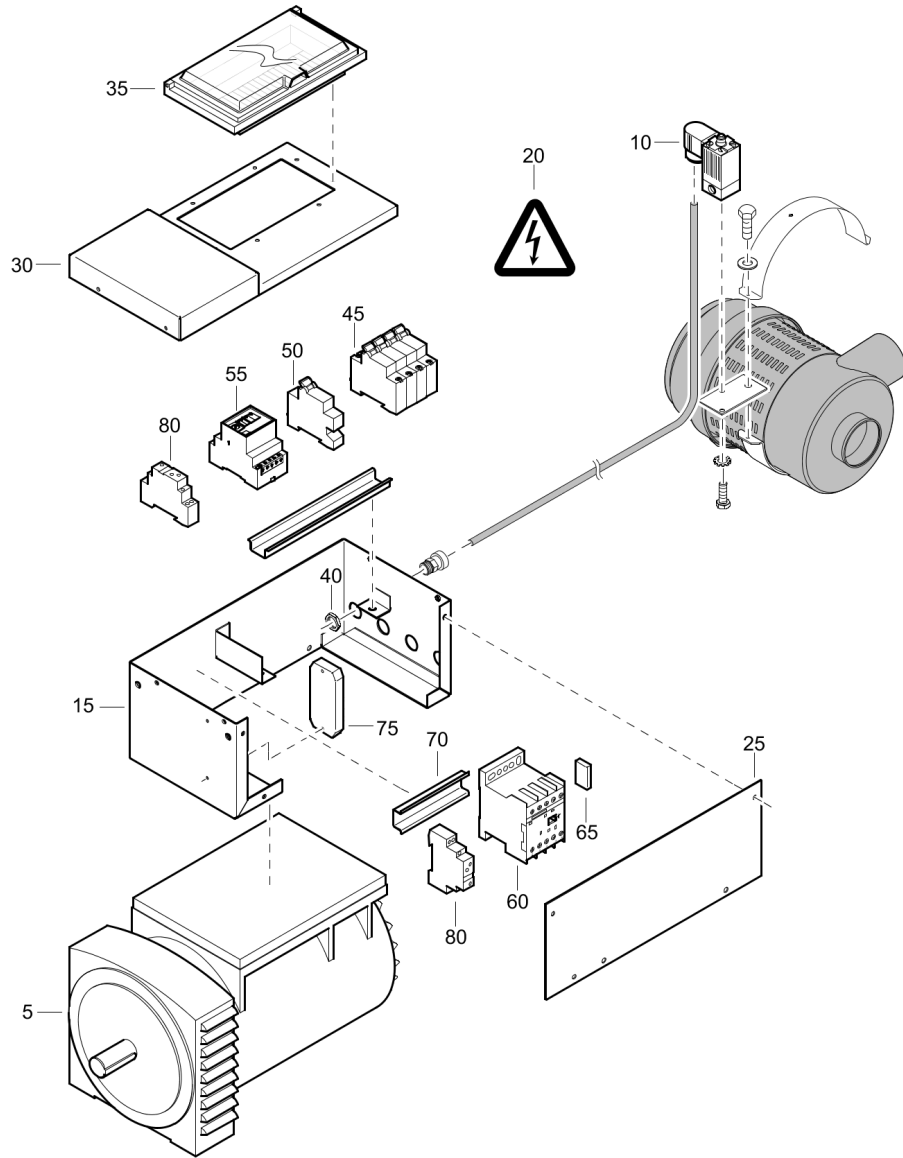
Item	Part No.	Name	Qty	L
5	1626271880	GENERATOR	1	
10	1626271881	Outlet sockets	1	

Options 1626271900_01 GENERATOR 6KVA 55/110V



Item	Part No.	Name	Qty	L
5	1626271980	GENERATOR	1	
10	1626271981	OUTLET SOCKETS	1	

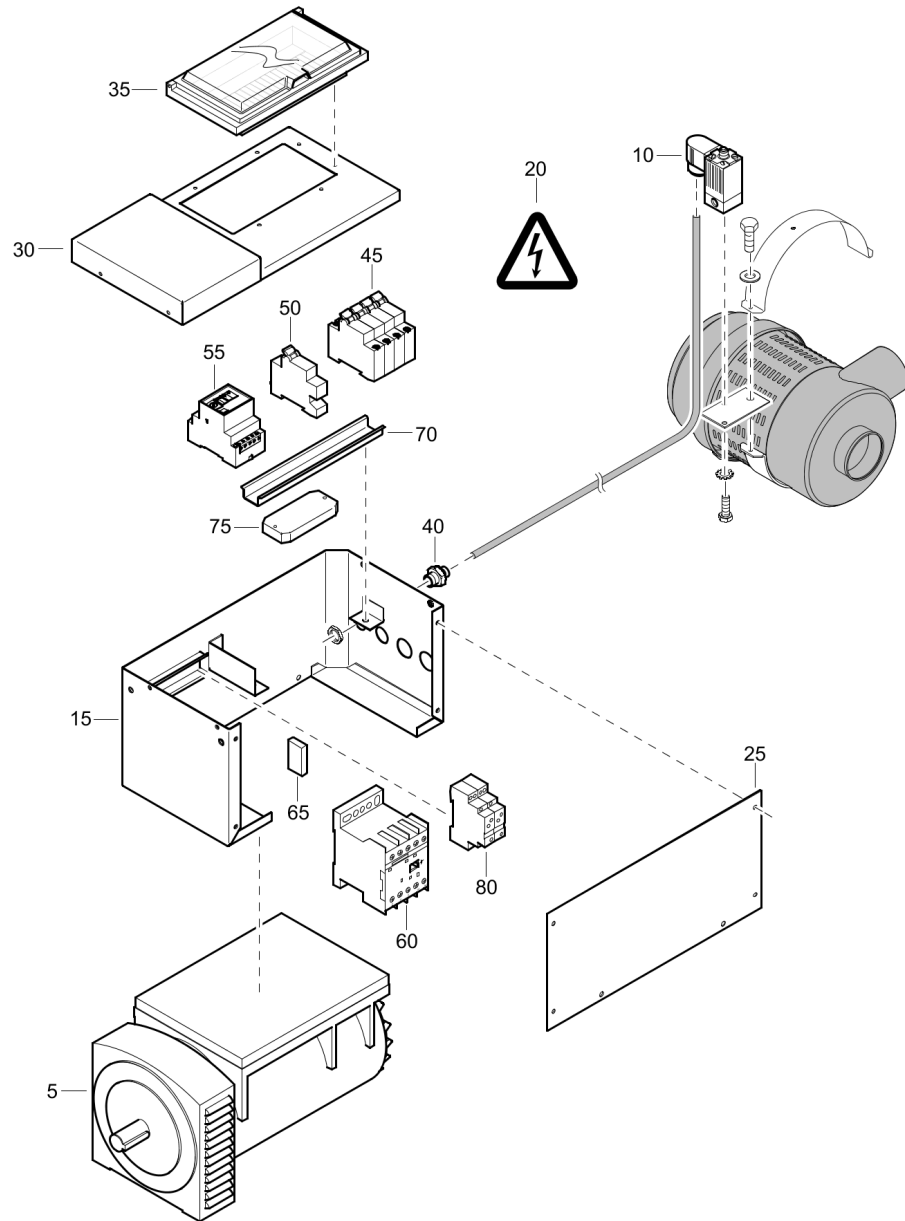
Options 1626251780_02 GENERATOR 12 KVA, 230/400V



Refer to the Parts Online web page for most up-to-date information. The printed information might be outdated.

Item	Part No.	Name	Qty	L
5	1604798600	ALTERNATOR	1	
10	1089062144	Solenoid valve	1	
15	1626251732	CUBICLE	1	
20	1088100101	Information label	1	
25	1626251730	PLATE	1	
30	1604389302	Plate	1	
35	1615842900	Door	1	
40	1088030204	Nut	1	
45	1089947208	CIRCUIT BREAKER	1	
50	1089947311	SHUNT TRIP COIL	1	
55	1626990900	Relay	1	
60	1089957831	Contactoer	1	
65	1089957829	Diode	1	
70	0090140002	Mounting rail	AR	
75	1604580700	Ecologizer	1	
80	1089953701	Time relay	2	

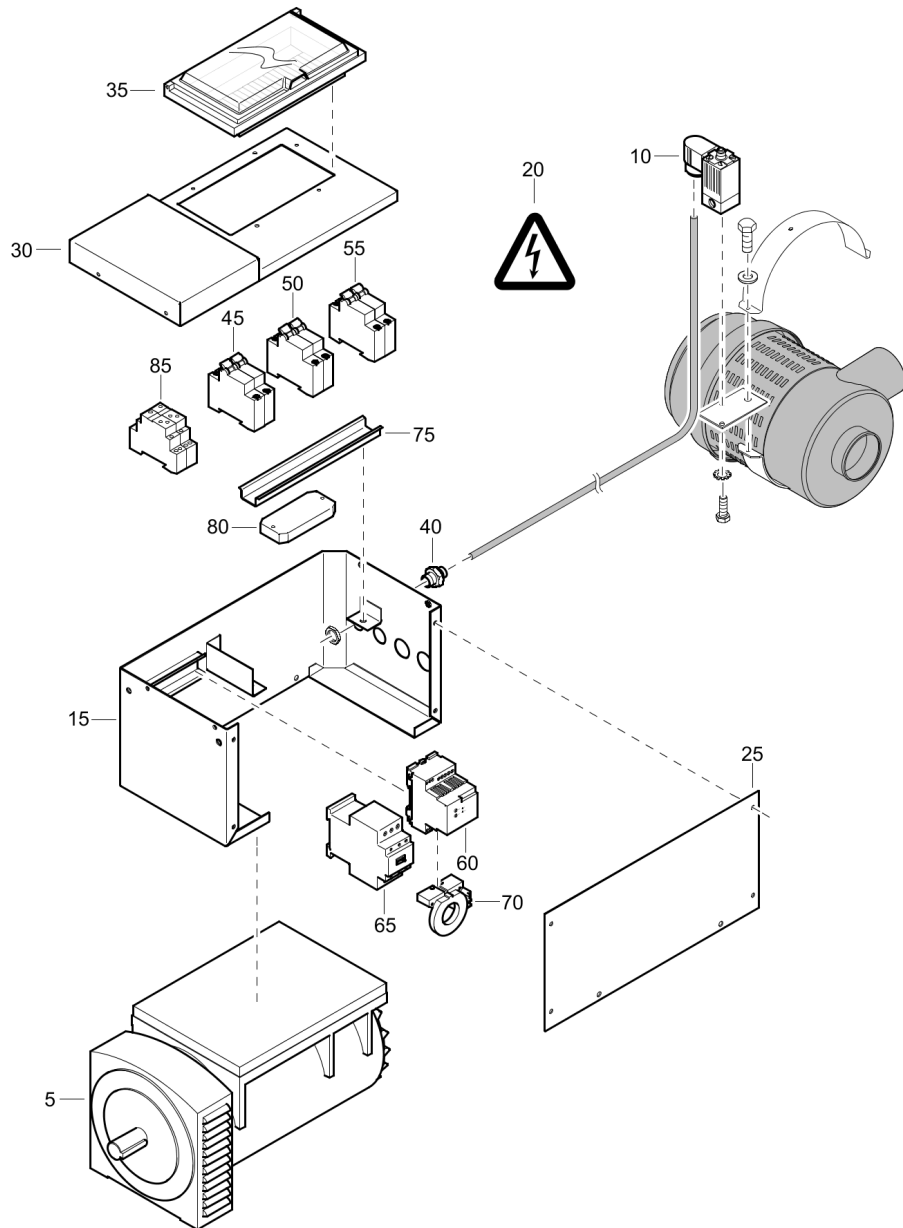
Options 1626271880_02 GENERATOR 6.5 KVA



Refer to the Parts Online web page for most up-to-date information. The printed information might be outdated.

Item	Part No.	Name	Qty	L
5	1604798500	Alternator	1	
10	1089062144	Solenoid valve	1	
15	1626271930	Cubicle	1	
20	1088100101	Information label	1	
25	1626271931	Plate	1	
30	1604389302	Plate	1	
35	1615842900	Door	1	
40	0698612564	Conduit fitting	1	
45	1089947219	CIRCUIT BREAKER	1	
50	1089947311	SHUNT TRIP COIL	1	
55	1626990900	Relay	1	
60	1089957831	Contactoer	1	
65	1089957829	Diode	1	
70	0090140002	Mounting rail	AR	
75	1604580700	Ecologizer	1	
80	1089953701	Time relay	2	

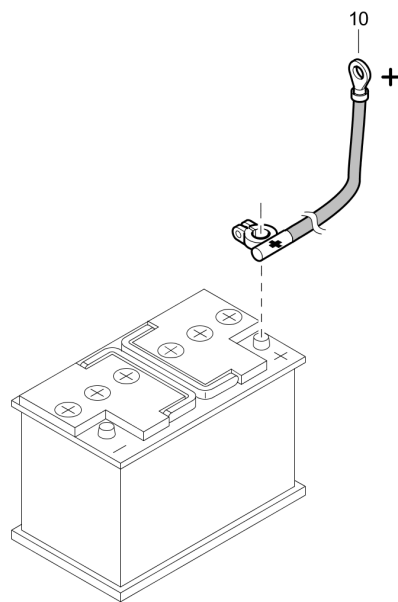
Options 1626271980_01 GENERATOR 6KVA 55/110V



Refer to the Parts Online web page for most up-to-date information. The printed information might be outdated.

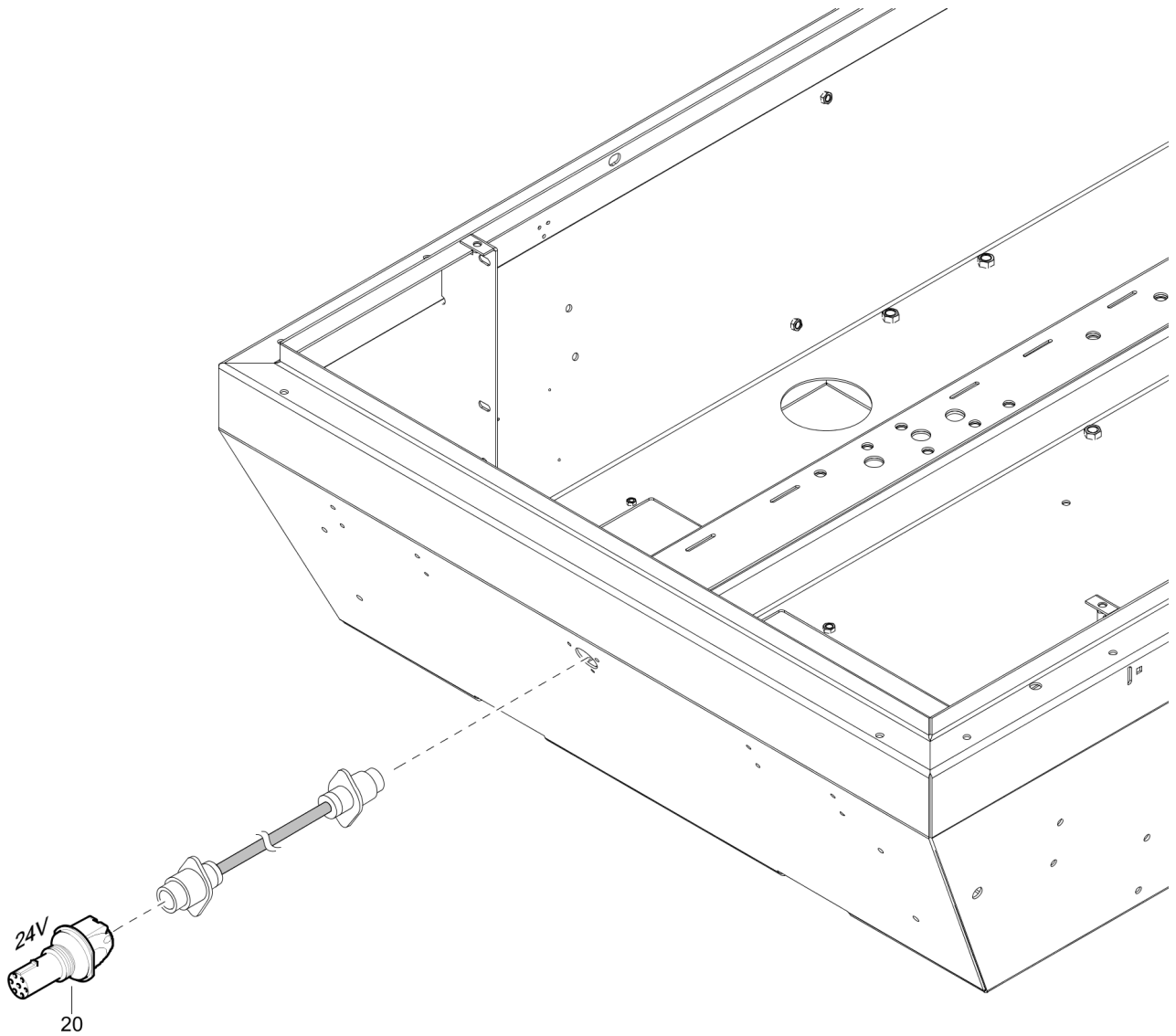
Item	Part No.	Name	Qty	L
5	1604798400	ALTERNATOR	1	
10	1089062144	Solenoid valve	1	
15	1626271930	Cubicle	1	
20	1088100101	Information label	1	
25	1626271931	Plate	1	
30	1604389302	Plate	1	
35	1615842900	Door	1	
40	0698612564	Conduit fitting	1	
45	1089947205	CIRCUIT BREAKER	1	
50	1089947215	CIRCUIT BRAKER	1	
55	1089947203	CIRCUIT BREAKER	1	
60	1089947354	Relay regulable	1	
65	1089957830	Contactora	1	
70	1089947355	Toroidal transformer	1	
75	0090140002	Mounting rail	AR	
80	1604580700	Ecologizer	1	
85	1089953701	Time relay	2	

Options 1611749514_00 BATTERY CABLE



Item	Part No.	Name	Qty	L
10	1615772501	Ttery cable	1	

Options 1611864514_02 Adapter - for road light system



Item	Part No.	Name	Qty	L
20	1626450000	Voltage convertor	1	

Any unauthorized use or copying of the contents or any part thereof is prohibited.
This applies in particular to trademarks, model denominations, part numbers, and drawings.

