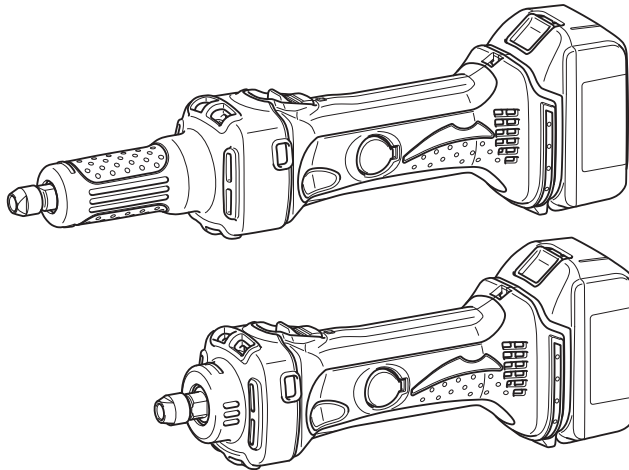
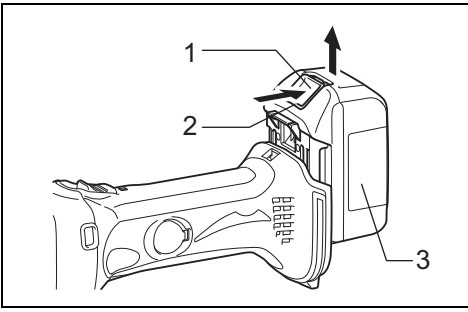




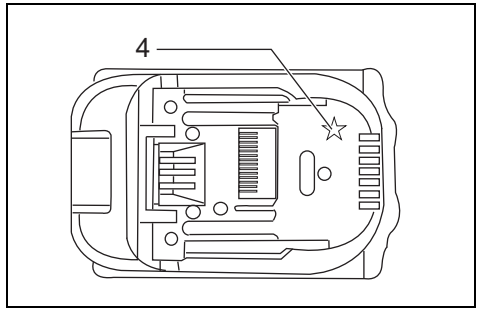
<b>GB</b>	<b>Cordless Die Grinder</b>	<b>Instruction Manual</b>
<b>F</b>	<b>Meuleuse Droite Sans Fil</b>	<b>Manuel d'instructions</b>
<b>D</b>	<b>Akku- Geradschleifer</b>	<b>Betriebsanleitung</b>
<b>I</b>	<b>Smerigliatrice per stampi a batteria</b>	<b>Istruzioni per l'uso</b>
<b>NL</b>	<b>Accustempelslijpmachine</b>	<b>Gebruiksaanwijzing</b>
<b>E</b>	<b>Rectificador Inalámbrico</b>	<b>Manual de instrucciones</b>
<b>P</b>	<b>Retificadeira a Bateria</b>	<b>Manual de instruções</b>
<b>DK</b>	<b>Akku-ligesliber</b>	<b>Brugsanvisning</b>
<b>GR</b>	<b>Εργαλείο λείανσης καλουπιών μπαταρίας</b>	<b>Οδηγίες χρήσεως</b>

**DGD800**  
**DGD801**

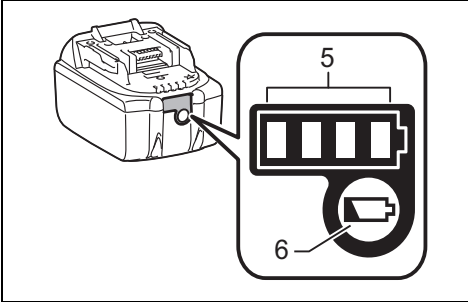




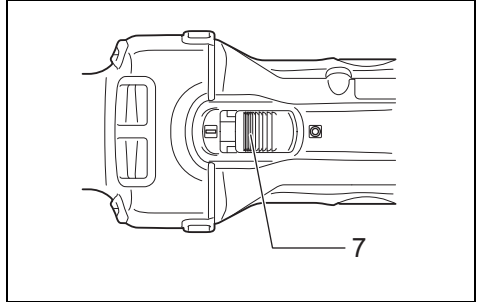
1 014130



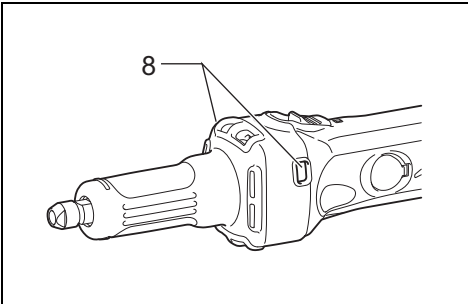
2 012128



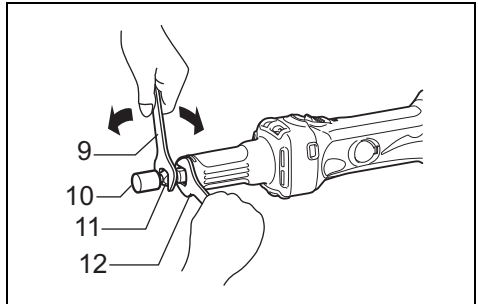
3 015676



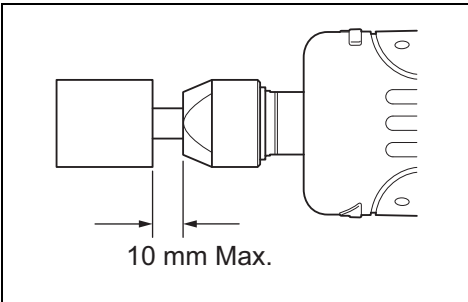
4 011466



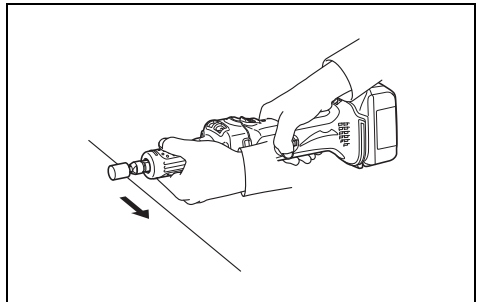
5 011472



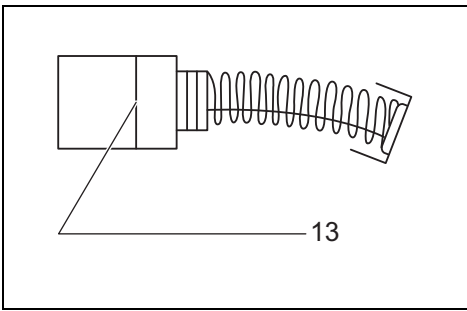
6 011468



7 015814

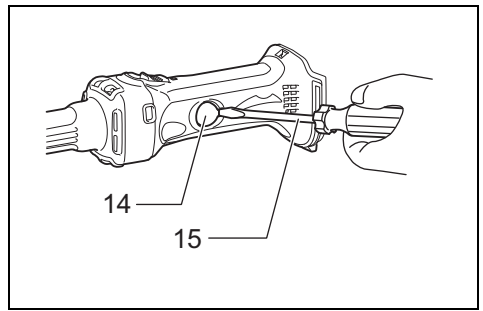


8 1049201



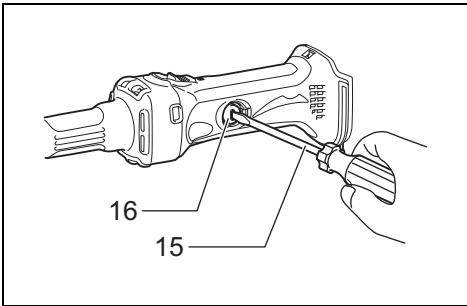
9

001145



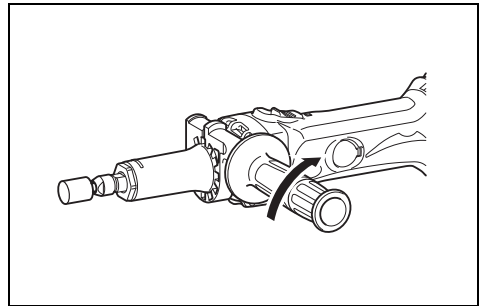
10

011473



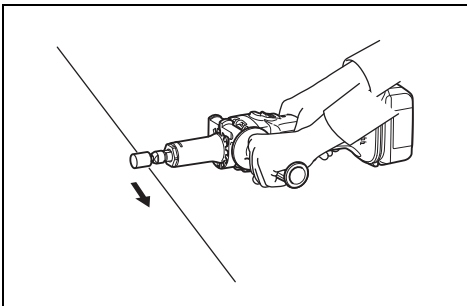
11

011474



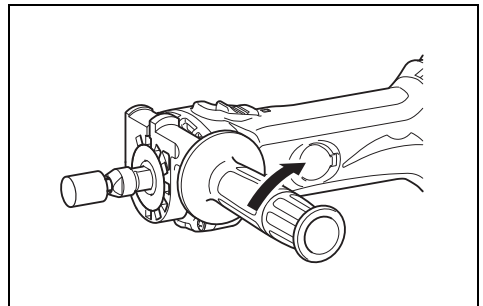
12

011467



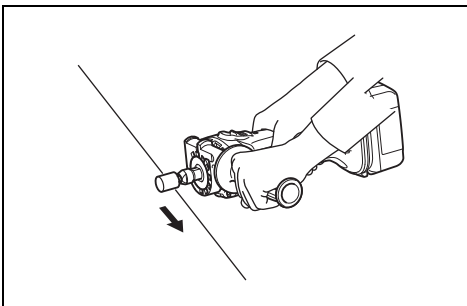
13

011470



14

011479



15

011480

**Explanation of general view**

1 Button	7 Slide switch	13 Limit mark
2 Red indicator	8 Indication lamp	14 Holder cap cover
3 Battery cartridge	9 Wrench 13	15 Screwdriver
4 Star marking	10 Wheel point	16 Brush holder cap
5 Indicator lamps	11 Collet nut	
6 CHECK button	12 Wrench 13	

**SPECIFICATIONS**

Model	DGD800	DGD801
Collet capacity .....	6 mm or 6.35 mm (1/4")	6 mm or 6.35 mm (1/4")
Max. wheel point diameter .....	36 mm	36 mm
Max. mandrel (shank) length.....	46 mm	46 mm
No load speed (n <sub>0</sub> ) / Rated speed (n).....	26,000 (min <sup>-1</sup> )	26,000 (min <sup>-1</sup> )
Overall length .....	402 mm	307 mm
Net weight .....	2.0 kg	1.7 kg
Rated voltage.....	D.C. 18 V	D.C. 18 V

- Due to our continuing program of research and development, the specifications herein are subject to change without notice.
- Specifications and battery cartridge may differ from country to country.
- Weight, with battery cartridge, according to EPTA-Procedure 01/2003

ENE050-1

**Intended use**

The tool is intended for grinding ferrous materials or deburring castings.

GEA010-1

**General Power Tool Safety Warnings**

**⚠ WARNING** Read all safety warnings and all instructions. Failure to follow the warnings and instructions may result in electric shock, fire and/or serious injury.

Save all warnings and instructions for future reference.

GEB124-2

**CORDLESS DIE GRINDER SAFETY WARNINGS**

**Safety Warnings Common for Grinding Operation:**

1. **This power tool is intended to function as a grinder. Read all safety warnings, instructions, illustrations and specifications provided with this power tool.** Failure to follow all instructions listed below may result in electric shock, fire and/or serious injury.
2. **Operations such as sanding, wire brushing, polishing or cutting-off are not recommended to be performed with this power tool.** Operations for which the power tool was not designed may create a hazard and cause personal injury.
3. **Do not use accessories which are not specifically designed and recommended by the tool manufacturer.** Just because the accessory can be attached to your power tool, it does not assure safe operation.
4. **The rated speed of the grinding accessories must be at least equal to the maximum speed marked on the power tool.** Grinding accessories running faster than their rated speed can break and fly apart.

5. **The outside diameter and the thickness of your accessory must be within the capacity rating of your power tool.** Incorrectly sized accessories cannot be adequately controlled.
6. **The arbour size of accessories must properly fit the collet of the power tool.** Accessories that do not match the mounting hardware of the power tool will run out of balance, vibrate excessively and may cause loss of control.
7. **Mandrel mounted accessories must be fully inserted into the collet or chuck.** If the mandrel is insufficiently held and/or the overhang of the wheel is too long, the mounted accessory may become loose and be ejected at high velocity.
8. **Do not use a damaged accessory. Before each use inspect the accessory such as abrasive wheels for chips and cracks. If power tool or accessory is dropped, inspect for damage or install an undamaged accessory. After inspecting and installing an accessory, position yourself and bystanders away from the plane of the rotating accessory and run the power tool at maximum no-load speed for one minute.** Damaged accessories will normally break apart during this test time.
9. **Wear personal protective equipment. Depending on application, use face shield, safety goggles or safety glasses. As appropriate, wear dust mask, hearing protectors, gloves and workshop apron capable of stopping small abrasive or workpiece fragments.** The eye protection must be capable of stopping flying debris generated by various operations. The dust mask or respirator must be capable of filtrating particles generated by your operation. Prolonged exposure to high intensity noise may cause hearing loss.
10. **Keep bystanders a safe distance away from work area. Anyone entering the work area must wear personal protective equipment.** Fragments of workpiece or of a broken accessory may fly away and cause injury beyond immediate area of operation.

11. **Hold the power tool by insulated gripping surfaces only, when performing an operation where the cutting tool may contact hidden wiring.** Cutting accessory contacting a "live" wire may make exposed metal parts of the power tool "live" and could give the operator an electric shock.
  12. **Always hold the tool firmly in your hand(s) during the start-up.** The reaction torque of the motor, as it accelerates to full speed, can cause the tool to twist.
  13. **Use clamps to support workpiece whenever practical. Never hold a small workpiece in one hand and the tool in the other hand while in use.** Clamping a small workpiece allows you to use your hand(s) to control the tool. Round material such as dowel rods, pipes or tubing have a tendency to roll while being cut, and may cause the bit to bind or jump toward you.
  14. **Never lay the power tool down until the accessory has come to a complete stop.** The spinning accessory may grab the surface and pull the power tool out of your control.
  15. **After changing the bits or making any adjustments, make sure the collet nut, chuck or any other adjustment devices are securely tightened.** Loose adjustment devices can unexpectedly shift, causing loss of control, loose rotating components will be violently thrown.
  16. **Do not run the power tool while carrying it at your side.** Accidental contact with the spinning accessory could snag your clothing, pulling the accessory into your body.
  17. **Regularly clean the power tool's air vents.** The motor's fan will draw the dust inside the housing and excessive accumulation of powdered metal may cause electrical hazards.
  18. **Do not operate the power tool near flammable materials.** Sparks could ignite these materials.
  19. **Do not use accessories that require liquid coolants.** Using water or other liquid coolants may result in electrocution or shock.
- b) **Use special care when working corners, sharp edges etc. Avoid bouncing and snagging the accessory.** Corners, sharp edges or bouncing have a tendency to snag the rotating accessory and cause loss of control or kickback.
  - c) **Do not attach a toothed saw blade.** Such blades create frequent kickback and loss of control.
  - d) **Always feed the bit into the material in the same direction as the cutting edge is exiting from the material (which is the same direction as the chips are thrown).** Feeding the tool in the wrong direction causes the cutting edge of the bit to climb out of the work and pull the tool in the direction of this feed.

#### Safety Warnings Specific for Grinding:

- a) **Use only wheel types that are recommended for your power tool and only for recommended applications.**

#### Additional Safety Warnings:

20. **The tool is intended for use with bonded abrasive wheel points (grinding stones) permanently mounted on plain, unthreaded mandrel (shanks).**
21. **Make sure the wheel is not contacting the workpiece before the switch is turned on.**
22. **Before using the tool on an actual workpiece, let it run for a while. Watch for vibration or wobbling that could indicate poor installation or a poorly balanced wheel.**
23. **Use the specified surface of the wheel to perform the grinding.**
24. **Watch out for flying sparks. Hold the tool so that sparks fly away from you and other persons or flammable materials.**
25. **Do not leave the tool running. Operate the tool only when hand-held.**
26. **Do not touch the workpiece immediately after operation; it may be extremely hot and could burn your skin.**
27. **Do not touch accessories immediately after operation; it may be extremely hot and could burn your skin.**
28. **Observe the instructions of the manufacturer for correct mounting and use of wheels. Handle and store wheels with care.**
29. **Check that the workpiece is properly supported.**
30. **If working place is extremely hot and humid, or badly polluted by conductive dust, use a short-circuit breaker (30 mA) to assure operator safety.**
31. **Do not use the tool on any materials containing asbestos.**
32. **Always be sure you have a firm footing. Be sure no one is below when using the tool in high locations.**

#### Kickback and Related Warnings

Kickback is a sudden reaction to a pinched or snagged rotating accessory. Pinching or snagging causes rapid stalling of the rotating accessory which in turn causes the uncontrolled power tool to be forced in the direction opposite of the accessory's rotation.

For example, if an abrasive wheel is snagged or pinched by the workpiece, the edge of the wheel that is entering into the pinch point can dig into the surface of the material causing the wheel to climb out or kick out. The wheel may either jump toward or away from the operator, depending on direction of the wheel's movement at the point of pinching. Abrasive wheels may also break under these conditions.

Kickback is the result of power tool misuse and/or incorrect operating procedures or conditions and can be avoided by taking proper precautions as given below.

- a) **Maintain a firm grip on the power tool and position your body and arm to allow you to resist kickback forces.** The operator can control kickback forces, if proper precautions are taken.

#### SAVE THESE INSTRUCTIONS.

#### WARNING:

**DO NOT** let comfort or familiarity with product (gained from repeated use) replace strict adherence to safety rules for the subject product. **MISUSE** or failure to follow the safety rules stated in this instruction manual may cause serious personal injury.

## IMPORTANT SAFETY INSTRUCTIONS

### FOR BATTERY CARTRIDGE

1. Before using battery cartridge, read all instructions and cautionary markings on (1) battery charger, (2) battery, and (3) product using battery.
  2. Do not disassemble battery cartridge.
  3. If operating time has become excessively shorter, stop operating immediately. It may result in a risk of overheating, possible burns and even an explosion.
  4. If electrolyte gets into your eyes, rinse them out with clear water and seek medical attention right away. It may result in loss of your eyesight.
  5. Do not short the battery cartridge:
    - (1) Do not touch the terminals with any conductive material.
    - (2) Avoid storing battery cartridge in a container with other metal objects such as nails, coins, etc.
    - (3) Do not expose battery cartridge to water or rain.
- A battery short can cause a large current flow, overheating, possible burns and even a breakdown.
6. Do not store the tool and battery cartridge in locations where the temperature may reach or exceed 50°C (122°F).
  7. Do not incinerate the battery cartridge even if it is severely damaged or is completely worn out. The battery cartridge can explode in a fire.
  8. Be careful not to drop or strike battery.
  9. Do not use damaged battery.
  10. The contained lithium-ion batteries are subject to the Dangerous Goods Legislation requirements.

For commercial transports e.g. by third parties, forwarding agents, special requirement on packaging and labeling must be observed.

For preparation of the item being shipped, consulting an expert for hazardous material is required. Please also observe possibly more detailed national regulations.

Tape or mask off open contacts and pack up the battery in such a manner that it cannot move around in the packaging.

11. Follow your local regulations relating to disposal of battery.

### SAVE THESE INSTRUCTIONS.

**⚠ CAUTION: Only use genuine Makita batteries.**

Use of non-genuine Makita batteries, or batteries that have been altered, may result in the battery bursting causing fires, personal injury and damage. It will also void the Makita warranty for the Makita tool and charger.

### Tips for maintaining maximum battery life

1. Charge the battery cartridge before completely discharged.  
Always stop tool operation and charge the battery cartridge when you notice less tool power.
2. Never recharge a fully charged battery cartridge. Overcharging shortens the battery service life.

3. Charge the battery cartridge with room temperature at 10°C – 40°C (50°F – 104°F). Let a hot battery cartridge cool down before charging it.
4. Charge the battery cartridge if you do not use it for a long period (more than six months).

### FUNCTIONAL DESCRIPTION

#### ⚠ CAUTION:

- Always be sure that the tool is switched off and the battery cartridge is removed before adjusting or checking function on the tool.

#### Installing or removing battery cartridge (Fig. 1)

#### ⚠ CAUTION:

- Always switch off the tool before installing or removing of the battery cartridge.
- Hold the tool and the battery cartridge firmly when installing or removing battery cartridge. Failure to hold the tool and the battery cartridge firmly may cause them to slip off your hands and result in damage to the tool and battery cartridge and a personal injury.

To remove the battery cartridge, slide it from the tool while sliding the button on the front of the cartridge.

To install the battery cartridge, align the tongue on the battery cartridge with the groove in the housing and slip it into place. Insert it all the way until it locks in place with a little click. If you can see the red indicator on the upper side of the button, it is not locked completely.

#### ⚠ CAUTION:

- Always install the battery cartridge fully until the red indicator cannot be seen. If not, it may accidentally fall out of the tool, causing injury to you or someone around you.
- Do not install the battery cartridge forcibly. If the cartridge does not slide in easily, it is not being inserted correctly.

#### Battery protection system (Fig. 2)

The tool is equipped with a battery protection system. This system automatically cuts off power to the motor to extend battery life.

The tool will automatically stop during operation if the tool and/or battery are placed under one of the following conditions:

- Overloaded:  
The tool is operated in a manner that causes it to draw an abnormally high current.  
In this situation, turn the tool off and stop the application that caused the tool to become overloaded. Then turn the tool on to restart.  
If the tool does not start, the battery is overheated. In this situation, let the battery cool before turning the tool on again.
- Low battery voltage:  
The remaining battery capacity is too low and the tool will not operate. In this situation, remove and recharge the battery.

#### NOTE:

- The overheat protection works only with a battery cartridge with a star mark.

**Indicating the remaining battery capacity (Fig. 3)**  
(Only for battery cartridges with “B” at the end of the model number.)

Press the check button on the battery cartridge to indicate the remaining battery capacity. The indicator lamps light up for few seconds.

Indicator lamps			Remaining capacity
Lighted	Off	Blinking	
			75% to 100%
			50% to 75%
			25% to 50%
			0% to 25%
			Charge the battery.
			The battery may have malfunctioned.

015658

**NOTE:**

- Depending on the conditions of use and the ambient temperature, the indication may differ slightly from the actual capacity.

**Switch action (Fig. 4)**

**CAUTION:**

- Before inserting the battery cartridge into the tool, always check to see that the slide switch actuates properly and returns to the “OFF” position when the rear of the slide switch is depressed.
- Switch can be locked in “ON” position for ease of operator comfort during extended use. Apply caution when locking tool in “ON” position and maintain firm grasp on tool.

To start the tool, slide the slide switch toward the “I (ON)” position. For continuous operation, press the front of the slide switch to lock it.

To stop the tool, press the rear of the slide switch, then slide it toward the “O (OFF)” position.

**Indication lamp with multi function (Fig. 5)**

Indication lamps are located in two positions.

When the battery cartridge is inserted on the tool with the slide switch positioned in the “O (OFF)” position, the indication lamp flickers quickly for approximately one second. If it does not flicker so, the battery cartridge or indication lamp has broken.

**– Overload protection**

- When the tool is overloaded, the indication lamp lights up. When the load on the tool is reduced, the lamp goes out.

- If the tool continues to be overloaded and the indication lamp continues to light up for approximately two seconds, the tool stops. This prevents the motor and its related parts from being damaged.
- In this case, to start the tool again, move the slide switch to the “O (OFF)” position once and then to the “I (ON)” position.

**– Battery cartridge replacing signal**

- When the remaining battery capacity gets small, the indicator lamp lights up during operation earlier than enough capacity battery use.

**– Accidental re-start preventive function**

- Even if the battery cartridge is inserted on the tool with the slide switch in the “I (ON)” position, the tool does not start. At this time, the lamp flickers slowly and this shows that the accidental re-start preventive function is at work.
- To start the tool, first slide the slide switch toward the “O (OFF)” position and then slide it toward the “I (ON)” position.

**ASSEMBLY**

**CAUTION:**

- Always be sure that the tool is switched off and the battery cartridge is removed before carrying out any work on the tool.

**Installing or removing wheel point (Fig. 6 & 7)**

Loosen the collet nut and insert the wheel point into the collet nut. Use one wrench to hold the spindle and the other one to tighten the collet nut securely.

The wheel point should not be mounted more than 10 mm from the collet nut. Exceeding this distance could cause vibration or a broken shaft.

To remove the wheel point, follow the installation procedure in reverse.

**CAUTION:**

- Use the correct size collet cone for the wheel point which you intend to use.

**OPERATION (Fig. 8)**

Turn the tool on without the wheel point making any contact with the workpiece and wait until the wheel point attains full speed. Then apply the wheel point to the workpiece gently. To obtain a good finish, move the tool in the leftward direction slowly.

**CAUTION:**

- Apply light pressure on the tool. Excessive pressure on the tool will only cause a poor finish and overloading of the motor.

**MAINTENANCE**

**CAUTION:**

- Always be sure that the tool is switched off and the battery cartridge is removed before attempting to perform inspection or maintenance.
- Never use gasoline, benzene, thinner, alcohol or the like. Discoloration, deformation or cracks may result.

## Replacing carbon brushes

Remove and check the carbon brushes regularly. Replace when they wear down to the limit mark. Keep the carbon brushes clean and free to slip in the holders. Both carbon brushes should be replaced at the same time. Use only identical carbon brushes. **(Fig. 9)**

Insert the top end of slotted bit screwdriver into the notch in the tool and remove the holder cap cover by lifting it up. **(Fig. 10)**

Use a screwdriver to remove the brush holder caps. Take out the worn carbon brushes, insert the new ones and secure the brush holder caps. **(Fig. 11)**

Reinstall the holder cap cover on the tool.

To maintain product SAFETY and RELIABILITY, repairs, any other maintenance or adjustment should be performed by Makita Authorized Service Centers, always using Makita replacement parts.

## OPTIONAL ACCESSORIES

### CAUTION:

- These accessories or attachments are recommended for use with your Makita tool specified in this manual. The use of any other accessories or attachments might present a risk of injury to persons. Only use accessory or attachment for its stated purpose.

If you need any assistance for more details regarding these accessories, ask your local Makita Service Center.

### Side handle (accessory) (Fig. 12, 13, 14 & 15)

When using the side handle, remove the rubber protector, insert the side handle on the tool barrel as far as it will go and rotate it to the desired angle. Then tighten the handle firmly by turning clockwise.

### CAUTION:

- When using the tool without handle, always install the rubber protector on the tool.
- When installing the rubber protector, always push it onto the tool so that the top round recessed shape of the rubber is positioned near the switch position.

- Wheel points
- Collet cone (3 mm, 6 mm, 8 mm, 1/4", 1/8")
- Collet nut
- Wrench 13
- Side handle set
- Makita genuine battery and charger

### NOTE:

- Some items in the list may be included in the tool package as standard accessories. They may differ from country to country.

ENG905-1

## Noise

The typical A-weighted noise level determined according to EN60745:

Sound pressure level ( $L_{pA}$ ): 72 dB (A)

Uncertainty (K): 3 dB (A)

The noise level under working may exceed 80 dB (A).

### Wear ear protection

## Vibration

The vibration total value (tri-axial vector sum) determined according to EN60745:

### Model DGD800

Work mode: surface grinding  
Vibration emission ( $a_{h, SG}$ ): 6.5 m/s<sup>2</sup>  
Uncertainty (K): 1.5 m/s<sup>2</sup>

### Model DGD801

Work mode: surface grinding  
Vibration emission ( $a_{h, SG}$ ): 2.5 m/s<sup>2</sup> or less  
Uncertainty (K): 1.5 m/s<sup>2</sup>

ENG901-1

- The declared vibration emission value has been measured in accordance with the standard test method and may be used for comparing one tool with another.
- The declared vibration emission value may also be used in a preliminary assessment of exposure.

### WARNING:

- The vibration emission during actual use of the power tool can differ from the declared emission value depending on the ways in which the tool is used.
- Be sure to identify safety measures to protect the operator that are based on an estimation of exposure in the actual conditions of use (taking account of all parts of the operating cycle such as the times when the tool is switched off and when it is running idle in addition to the trigger time).

## EC DECLARATION OF CONFORMITY

### For European countries only

The EC declaration of conformity is included as Annex A to this instruction manual.



**Descriptif**

1 Bouton	7 Interrupteur à glissière	13 Marque de limite
2 Indicateur rouge	8 Voyant	14 Cache du bouchon de porte-charbon
3 Batterie	9 Clé 13	15 Tournevis
4 Marque étoilée	10 Meule sur tige	16 Bouchon de porte-charbon
5 Voyants lumineux	11 Écrou de mandrin	
6 Bouton de vérification	12 Clé 13	

**SPÉCIFICATIONS**

Modèle	DGD800	DGD801
Capacité du mandrin .....	6 mm ou 6,35 mm (1/4")	6 mm ou 6,35 mm (1/4")
Diamètre max. de meule sur tige .....	36 mm	36 mm
Longueur max. du mandrin (tige).....	46 mm	46 mm
Vitesse à vide (n <sub>0</sub> ) / Vitesse nominale (n) .....	26 000 min <sup>-1</sup>	26 000 min <sup>-1</sup>
Longueur totale .....	402 mm	307 mm
Poids net .....	2,0 kg	1,7 kg
Tension nominale.....	C.C. 18 V	C.C. 18 V

- Étant donné l'évolution constante de notre programme de recherche et de développement, les spécifications contenues dans ce manuel sont sujettes à modification sans préavis.
  - Les spécifications et la batterie peuvent être différentes suivant les pays.
  - Poids, avec la batterie, conformément à la procédure EPTA-01/2003
- ENE050-1
- Utilisations**
- Cet outil est conçu pour le meulage des matériaux de fer ou pour l'ébavurage des pièces moulées.
- GEA010-1
- Consignes de sécurité générales pour outils électriques**
- ⚠ AVERTISSEMENT** Veuillez lire toutes les mises en garde et toutes les instructions. Il y a risque de choc électrique, d'incendie et/ou de blessure grave si les mises en garde et les instructions ne sont pas respectées.
- Conservez toutes les mises en garde et instructions pour référence ultérieure.**
- GEB124-2

**MISES EN GARDE DE SÉCURITÉ POUR MEULEUSE DROITE SANS FIL**

**Consignes de sécurité communes aux opérations de meulage :**

1. **Cet outil électrique est conçu pour fonctionner en tant que meuleuse. Veuillez lire toutes les consignes de sécurité, instructions, illustrations et spécifications qui accompagnent cet outil électrique.** Si vous ne suivez pas toutes les instructions ci-dessous, il y a risque d'électrocution, d'incendie et de blessure grave.
2. **Il est déconseillé d'effectuer des travaux de ponçage, de brossage à la brosse métallique, de polissage et de tronçonnage avec cet outil électrique.** L'utilisation de l'outil électrique pour effectuer un travail pour lequel il n'a pas été conçu peut être dangereuse et peut entraîner une blessure.
3. **N'utilisez pas d'accessoires qui ne sont pas conçus spécifiquement et recommandés par le fabricant de l'outil.** Le fait qu'un accessoire puisse être fixé sur votre outil électrique ne garantit pas son fonctionnement sûr.
4. **La vitesse nominale des accessoires de meulage doit être au moins égale à la vitesse maximale indiquée sur l'outil électrique.** Les accessoires de meulage risqueront de se rompre et de voler en éclats s'ils tournent plus vite que leur vitesse nominale.
5. **Le diamètre extérieur et l'épaisseur de l'accessoire ne doivent pas dépasser les valeurs nominales de capacité de l'outil électrique.** La maîtrise de l'outil n'est pas possible avec des accessoires de taille incorrecte.
6. **Le diamètre de la tige des accessoires doit être adapté à celui de la douille de serrage de l'outil électrique.** Des accessoires inadaptés au matériel de montage de l'outil électrique présenteront un déséquilibre et des vibrations excessives, et risquent d'entraîner une perte de contrôle de l'outil.
7. **Les accessoires montés sur tige doivent être insérés à fond dans la douille de serrage ou le mandrin.** Si la tige n'est pas maintenue correctement ou si le porte-à-faux de la meule est trop important, l'accessoire risque de se libérer et d'être éjecté à vitesse élevée.
8. **N'utilisez aucun accessoire endommagé. Avant chaque utilisation, vérifiez l'absence de copeaux et de fissures sur les accessoires tels que les meules abrasives. Si vous échappez l'outil électrique ou un accessoire, vérifiez l'absence de dommages et posez un accessoire en bon état. Après avoir vérifié et posé un accessoire, faites tourner l'outil électrique à vitesse maximale et à vide pendant environ une minute, en vous assurant que personne, y compris vous-même, ne se trouve dans la trajectoire de l'accessoire en rotation.** En général, l'accessoire se disjoindra pendant ce test s'il est endommagé.

9. **Portez des protections personnelles. Suivant le type de travail à effectuer, portez un écran facial, des lunettes à coques ou des lunettes de sécurité. Au besoin, portez un masque antipoussières, des protections d'oreilles, des gants de travail et un tablier de travail pouvant résister aux petits éclats abrasifs et aux fragments de pièce.** La protection pour les yeux doit pouvoir résister aux débris projetés lors des diverses opérations. Le masque antipoussières ou le respirateur doit pouvoir filtrer les fines particules générées lors du travail. L'exposition prolongée à des bruits intenses peut affecter l'ouïe.
  10. **Ne laissez pas les autres personnes approcher de la zone de travail. Toute personne pénétrant dans la zone de travail doit porter des dispositifs de protection.** Des fragments de la pièce ou un accessoire cassé peuvent être éjectés et causer une blessure aux environs de la zone de travail.
  11. **Saisissez l'outil électrique uniquement par ses surfaces de poigne isolées lorsque vous effectuez des travaux au cours desquels l'outil tranchant peut entrer en contact avec des fils cachés.** Le contact de l'accessoire de coupe avec un fil sous tension pourra mettre sous tension les parties métalliques exposées de l'outil électrique, pouvant ainsi causer un choc électrique chez l'utilisateur.
  12. **Tenez toujours l'outil fermement lorsque vous le mettez en marche.** Le couple de réaction du moteur risque de faire tourner l'outil lorsque celui-ci accélère pour atteindre le plein régime.
  13. **Utilisez des dispositifs de serrage pour soutenir la pièce lorsque c'est possible. Ne tenez jamais une petite pièce dans une main et l'outil dans l'autre lorsque celui-ci est en marche.** Fixer une petite pièce vous permet d'utiliser votre (vos) main(s) pour contrôler l'outil. Des matériaux cylindriques comme les tiges, les tuyaux et les tubes ont tendance à rouler lorsqu'on les coupe, et l'accessoire risque de se coincer ou de rebondir vers vous.
  14. **Ne déposez jamais l'outil électrique avant que l'accessoire ne se soit complètement arrêté.** L'accessoire en rotation risquerait d'accrocher la surface de la pièce et de vous faire perdre le contrôle de l'outil.
  15. **Après avoir changé d'accessoire ou effectué des réglages, vérifiez que l'écrou de la douille de serrage, le mandrin ou tout autre dispositif de réglage sont bien serrés.** Les dispositifs de réglage mal serrés peuvent bouger de manière inattendue, et entraîner une perte de contrôle et l'éjection violente des composants en rotation.
  16. **Ne transportez pas l'outil le long de votre corps sans l'avoir d'abord éteint.** En cas de contact accidentel avec l'accessoire en rotation, celui-ci risquerait d'accrocher vos vêtements et d'être entraîné vers vous.
  17. **Nettoyez régulièrement les orifices de ventilation de l'outil électrique.** Le ventilateur du moteur attire les poussières vers l'intérieur du carter, et il y a risque d'électrocution en cas d'accumulation excessive de poussières métalliques.
  18. **N'utilisez pas l'outil électrique près des matériaux inflammables.** Les étincelles peuvent allumer ces matériaux.
  19. **N'utilisez pas d'accessoires qui requièrent un liquide de refroidissement.** L'utilisation d'eau ou autres liquides de refroidissement peut entraîner une électrocution ou un choc électrique.
- Chocs en retour et mises en gardes concernant ces derniers**
- Le choc en retour est une réaction soudaine de l'accessoire en rotation lorsque celui-ci se coince ou accroche sur quelque chose. L'accessoire en rotation s'immobilise alors rapidement, et entraîne l'outil électrique dans le sens opposé si vous ne le contrôlez pas.
- Par exemple, si une meule abrasive est accrochée ou pincée par la pièce à travailler, le rebord de la meule qui entrait dans le point de pincement peut creuser dans la surface du matériau, ce qui peut faire sortir la meule. La meule risque de sauter en direction de l'opérateur ou dans la direction opposée, en fonction du sens de rotation de la meule au point de pincement. Les meules abrasives peuvent également se casser dans certaines conditions.
- Le choc en retour est dû à une mauvaise utilisation de l'outil électrique ou à des procédures ou conditions de travail inappropriées. Il peut être évité en prenant des précautions appropriées, telles que celles indiquées ci-dessous.
- a) **Maintenez une prise ferme sur l'outil électrique et placez corps et bras de façon à pouvoir résister aux forces du choc en retour.** L'utilisateur peut maîtriser les chocs en retour en prenant les précautions appropriées.
  - b) **Soyez particulièrement prudent lorsque vous travaillez dans des recoins, sur des rebords tranchants, etc. Évitez de faire rebondir ou d'accrocher l'accessoire.** Les recoins, les rebords tranchants ou les rebonds ont tendance à faire accrocher l'accessoire en rotation et à provoquer une perte de contrôle ou un choc en retour.
  - c) **N'installez jamais de lame de scie dentée sur l'outil.** De telles lames entraînent fréquemment des chocs en retour et des pertes de contrôle.
  - d) **Déplacez toujours l'accessoire sur le matériau dans le sens dans lequel le bord de coupe quitte le matériau (sens de projection des copeaux).** Déplacer l'outil dans le mauvais sens repousse le bord de coupe de l'accessoire vers le haut et tire l'outil dans le sens du déplacement.
- Consignes de sécurité spécifiques aux opérations de meulage :**
- a) **Utilisez uniquement les types de meule recommandés pour votre outil électrique, et uniquement pour les applications recommandées.**
- Consignes de sécurité additionnelles :**
20. **L'outil est conçu pour être utilisé avec des meules sur tige en abrasif aggloméré, montées à demeure sur des tiges lisses non filetées.**
  21. **Assurez-vous que la meule n'entre pas en contact avec la pièce à travailler avant de mettre l'outil sous tension.**

22. Avant d'utiliser l'outil sur la pièce elle-même, laissez-le tourner un instant. Soyez attentif à toute vibration ou sautellement pouvant indiquer que la meule n'est pas bien installée ou qu'elle est mal équilibrée.
  23. Utilisez la face spécifiée de la meule pour meuler.
  24. Prenez garde aux étincelles qui jaillissent. Tenez l'outil de sorte que les étincelles ne jaillissent pas vers vous, vers une autre personne présente ou vers un matériau inflammable.
  25. N'abandonnez pas l'outil alors qu'il tourne. Ne faites fonctionner l'outil qu'une fois que vous l'avez bien en main.
  26. Ne touchez jamais la pièce juste après l'opération ; elle peut être extrêmement chaude et vous risquez de vous brûler.
  27. Ne touchez pas les accessoires immédiatement après avoir terminé le travail ; ils peuvent être très chauds et vous brûler la peau.
  28. Pour installer et utiliser correctement la meule, veuillez suivre les instructions du fabricant. Manipulez les meules avec soin et rangez-les en lieu sûr.
  29. Assurez-vous que la pièce à travailler est correctement soutenue.
  30. Si le site de travail est extrêmement chaud et humide ou s'il y a beaucoup de poussières conductrices dans l'air, utilisez un coupe-circuit (30 mA) pour assurer votre sécurité.
  31. N'utilisez l'outil sur aucun matériau contenant de l'amiante.
  32. Assurez-vous toujours d'une bonne prise au sol. Assurez-vous que personne ne se trouve sous vous si vous utilisez l'outil dans un emplacement élevé.
- (2) Évitez de ranger la batterie dans un contenant où se trouvent d'autres objets métalliques tels que des clous, des pièces de monnaie, etc.
  - (3) N'exposez pas la batterie à l'eau ou à la pluie. Un court-circuit de la batterie peut provoquer un fort courant, une surchauffe, des brûlures et même une panne.
6. Ne rangez pas l'outil ou la batterie dans des endroits où la température risque d'atteindre ou de dépasser 50°C.
  7. Ne jetez pas la batterie au feu même si elle est sérieusement endommagée ou complètement épuisée. La batterie peut exploser au contact du feu.
  8. Veillez à ne pas laisser tomber ou heurter la batterie.
  9. N'utilisez pas la batterie si elle est abîmée.
  10. Les batteries au lithium-ion contenues sont soumises aux exigences de la législation en matière de marchandises dangereuses.  
Pour le transport commercial, par exemple par des tierces parties ou des transitaires, les exigences spéciales figurant sur l'emballage et l'étiquetage doivent être respectées.  
Pour préparer l'article à expédier, il est nécessaire de consulter un expert en matériaux dangereux. Veuillez également observer les réglementations nationales éventuellement plus détaillées.  
Recouvrez de ruban adhésif les contacts exposés et emballez la batterie de telle sorte qu'elle ne puisse pas bouger dans l'emballage.
  11. La batterie doit être éliminée conformément aux réglementations locales en vigueur.

## CONSERVEZ CES INSTRUCTIONS.

### ⚠ AVERTISSEMENT :

NE vous laissez PAS tromper (au fil d'une utilisation répétée) par un sentiment d'aisance et de familiarité avec le produit, en négligeant le respect rigoureux des consignes de sécurité qui accompagnent le produit en question. La MAUVAISE UTILISATION de l'outil ou l'ignorance des consignes de sécurité indiquées dans ce manuel d'instructions peut entraîner une blessure grave.

ENC007-11

## CONSIGNES DE SÉCURITÉ IMPORTANTES

### POUR LA BATTERIE

1. Avant d'utiliser la batterie, veuillez lire toutes les instructions et tous les avertissements inscrits sur (1) le chargeur, (2) la batterie et (3) l'appareil alimenté par la batterie.
2. Ne démontez pas la batterie.
3. Cessez immédiatement d'utiliser l'outil si la durée de fonctionnement devient excessivement courte. Il y a risque de surchauffe, de brûlures, voire d'explosion.
4. Si l'électrolyte pénètre dans vos yeux, rincez-les à l'eau claire et consultez immédiatement un médecin. Il y a risque de perte de la vue.
5. Évitez de court-circuiter la batterie :
  - (1) Ne touchez pas les bornes avec un matériau conducteur.

## CONSERVEZ CES INSTRUCTIONS.

### ⚠ ATTENTION : Utilisez uniquement des batteries authentiques Makita.

Utilisez uniquement des batteries authentiques Makita. L'utilisation de batteries autres que des batteries authentiques Makita ou de batteries qui ont été modifiées risque d'explosion de la batterie entraînant un incendie, des blessures et des dommages. Ceci annulera de plus la garantie Makita pour l'outil et le chargeur Makita.

### Conseils pour assurer la durée de vie optimale de la batterie

1. Rechargez la batterie avant qu'elle ne soit complètement épuisée.  
Arrêtez toujours l'outil et rechargez la batterie quand vous constatez que la puissance de l'outil diminue.
2. Ne rechargez jamais une batterie complètement chargée. La surcharge réduit la durée de service de la batterie.
3. Rechargez la batterie à une température ambiante de 10°C – 40°C. Si une batterie est chaude, laissez-la refroidir avant de la charger.
4. Chargez la batterie si vous prévoyez de ne pas l'utiliser pendant une période prolongée (plus de six mois).

## DESCRIPTION DU FONCTIONNEMENT

### ⚠ ATTENTION :

- Assurez-vous toujours que l'outil est hors tension et que sa batterie est retirée avant d'ajuster l'outil ou de vérifier son fonctionnement.

## Installation et retrait de la batterie (Fig. 1)

### ⚠ ATTENTION :

- Mettez toujours l'outil hors tension avant de poser ou de retirer la batterie.
- **Lorsque vous posez ou retirez la batterie, tenez fermement l'outil et la batterie.** Si vous ne tenez pas fermement l'outil et la batterie, ils risquent de s'abîmer en vous glissant des mains, et vous courez un risque de blessure corporelle.

Pour retirer la batterie, faites-la glisser hors de l'outil tout en faisant glisser le bouton qui se trouve à l'avant de la batterie.

Pour poser la batterie, alignez sa languette sur la rainure à l'intérieur du carter, et faites-la glisser en place. Insérez-la à fond, jusqu'à ce qu'elle se mette en place avec un léger déclic. Si vous pouvez voir l'indicateur rouge du côté supérieur du bouton, la batterie n'est pas complètement verrouillée.

### ⚠ ATTENTION :

- Insérez toujours la batterie à fond, jusqu'à ce que l'indicateur rouge ne soit plus visible. Sinon, elle pourrait tomber accidentellement de l'outil, au risque de vous blesser ou de blesser quelqu'un se trouvant près de vous.
- Ne forcez pas pour insérer la batterie. Si elle ne glisse pas facilement, c'est que vous ne l'insérez pas correctement.

## Dispositif de protection de la batterie (Fig. 2)

L'outil est doté d'un dispositif de protection de la batterie. Ce dispositif coupe automatiquement l'alimentation de l'outil pour prolonger la durée de service de la batterie.

Si l'outil ou la batterie se trouve dans l'une ou l'autre des situations suivantes, l'outil cessera automatiquement de fonctionner :

### • Surchargé :

L'outil est utilisé de manière telle qu'il consomme un courant anormalement élevé.

Il faut mettre l'outil hors tension et arrêter l'application qui cause la surcharge. Remettez ensuite l'outil sous tension pour redémarrer.

Si l'outil ne démarre pas, cela signifie que la batterie est trop chaude. Il faut alors laisser refroidir la batterie avant de remettre l'outil sous tension.

### • Faible tension de la batterie :

La charge restante de la batterie étant trop faible, l'outil ne fonctionne pas. Le cas échéant, retirez la batterie et rechargez-la.







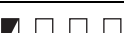




### NOTE :

- La protection contre la surchauffe ne fonctionne qu'avec une batterie portant une marque en forme d'étoile.

## Affichage de la charge restante de la batterie (Fig. 3)

(Uniquement pour les batteries dont le numéro de modèle finit par "B".)

Appuyez sur le bouton de vérification situé sur la batterie pour afficher la charge restante de la batterie. Les voyants lumineux s'allument pendant quelques secondes.

Voyants lumineux			Capacité restante
 allumé	 éteint	 clignotant	
			75 % à 100 %
			50 % à 75 %
			25 % à 50 %
			0 % à 25 %
			Chargez la batterie.
			La batterie est probablement défectueuse.

015658

### NOTE :

- En fonction des conditions d'utilisation et de la température ambiante, la charge restante affichée peut différer légèrement de la valeur réelle.

## Interrupteur (Fig. 4)

### ⚠ ATTENTION :

- Avant d'insérer la batterie dans l'outil, vérifiez toujours que la gâchette à glissière fonctionne bien et revient en position d'arrêt lorsque vous enfoncez sa partie arrière.
- Lors d'une utilisation prolongée, l'utilisateur peut verrouiller l'interrupteur en position de marche pour un plus grand confort. Soyez très prudent si vous verrouillez l'outil en position de marche, et maintenez une poigne ferme sur l'outil.

Pour mettre l'outil en marche, glissez l'interrupteur à glissière sur la position "I (ON)". Pour une utilisation continue, appuyez sur la partie avant de l'interrupteur à glissière pour le verrouiller.

Pour arrêter l'outil, appuyez sur la partie arrière de l'interrupteur à glissière, puis glissez ce dernier vers la position "O (OFF)".

## Voyant à fonctions multiples (Fig. 5)

Des voyants se trouvent en deux positions.

Si vous insérez la batterie dans l'outil alors que l'interrupteur à glissière se trouve en position "O (OFF)", le voyant clignote rapidement pendant environ une seconde. S'il ne clignote pas, la batterie ou le voyant est cassé.

### – Protection contre la surcharge

- Le voyant s'allume lorsque l'outil est soumis à une surcharge. Le voyant s'éteint lorsque la charge de l'outil diminue.
- Si l'outil demeure soumis à une surcharge et que le voyant demeure allumé pendant environ deux secondes, l'outil s'arrête. Cela prévient l'endommagement du moteur et des pièces qui lui sont liées.

- Le cas échéant, redémarrez l'outil, déplacez l'interrupteur à glissière sur la position "O (OFF)" puis à nouveau sur la position "I (ON)".
- **Signal de remplacement de la batterie**
  - Lorsque la charge de la batterie devient basse, le voyant s'allume plus tôt que lorsqu'elle est encore suffisante.
- **Fonction de prévention des redémarrages accidentels**
  - Même si la batterie est insérée dans l'outil alors que l'interrupteur à glissière se trouve en position "I (ON)", l'outil ne démarre pas. Le voyant clignote alors lentement pour indiquer que la fonction de prévention des redémarrages accidentels est activée.
  - Pour démarrer l'outil, glissez d'abord l'interrupteur à glissière vers la position "O (OFF)" puis glissez-le vers la position "I (ON)".

## ASSEMBLAGE

### ATTENTION :

- Assurez-vous toujours que l'outil est hors tension et que la batterie est retirée avant d'effectuer toute intervention sur l'outil.

### Installation ou retrait de la meule sur tige (Fig. 6 et 7)

Desserrez l'écrou de mandrin et insérez-y la meule sur tige. Utilisez une clé pour immobiliser l'arbre, et une autre clé pour serrer fermement l'écrou de mandrin. La meule sur tige ne doit pas être montée à plus de 10 mm du mandrin. Une trop grande distance peut entraîner des vibrations ou la cassure de l'arbre.

Pour retirer la meule sur tige, suivez la procédure d'installation en sens inverse.

### ATTENTION :

- Utilisez un cône de mandrin dont la dimension correspond à celle de la meule sur tige que vous désirez utiliser.

## UTILISATION (Fig. 8)

Mettez l'appareil en marche sans mettre la meule sur tige en contact avec la pièce à travailler, et attendez que la meule sur tige atteigne sa pleine vitesse. Puis appuyez légèrement la meule sur tige sur la pièce à travailler. Pour obtenir une bonne finition, déplacez lentement l'outil vers la gauche.

### ATTENTION :

- N'appliquez qu'une légère pression sur l'outil. Une pression trop grande sur l'outil résulterait en une piètre finition et entraînerait une surcharge du moteur.

## ENTRETIEN

### ATTENTION :

- Assurez-vous toujours que l'outil est hors tension et que la batterie est retirée avant d'y effectuer tout travail d'inspection ou d'entretien.
- N'utilisez jamais d'essence, benzine, diluant, alcool ou autre produit similaire. Cela risquerait de provoquer la décoloration, la déformation ou la fissuration de l'outil.

## Remplacement des charbons

Retirez et vérifiez les charbons régulièrement.

Remplacez-les lorsqu'ils atteignent la marque de limite. Gardez les charbons propres et libres de glisser dans les porte-charbons. Il faut remplacer les deux charbons en même temps. Utilisez uniquement des charbons identiques. (Fig. 9)

Insérez le bout d'un tournevis à tête fendue dans l'entaille de l'outil et retirez le cache du bouchon de porte-charbon en le soulevant. (Fig. 10)

Retirez les bouchons de porte-charbon à l'aide d'un tournevis. Enlevez les charbons usés, insérez les neufs et remettez en place les bouchons de porte-charbon. (Fig. 11)

Remettez le cache de bouchon de porte-charbon en place sur l'outil.

Pour assurer la SÉCURITÉ et la FIABILITÉ du produit, toute réparation et tout travail d'entretien ou de réglage doivent être effectués par un centre de service après-vente agréé Makita, avec des pièces de rechange Makita.

## ACCESSOIRES EN OPTION

### ATTENTION :

- Ces accessoires ou pièces complémentaires sont recommandés pour l'utilisation avec l'outil Makita spécifié dans ce manuel. L'utilisation de tout autre accessoire ou pièce complémentaire peut comporter un risque de blessure. Utilisez uniquement l'accessoire ou la pièce complémentaire dans le but spécifié.

Si vous désirez obtenir plus de détails concernant ces accessoires, veuillez contacter le centre de service après-vente Makita le plus proche.

### Poignée latérale (accessoire) (Fig. 12, 13, 14 et 15)

Lors de l'utilisation de la poignée latérale, retirez le protecteur de caoutchouc, insérez à fond la poignée latérale dans le barillet de l'outil et tournez-la jusqu'à l'angle désiré. Serrez ensuite fermement la poignée en tournant dans le sens des aiguilles d'une montre.

### ATTENTION :

- Lors de l'utilisation de l'outil sans la poignée, installez toujours le protecteur de caoutchouc sur l'outil.
- Lors de l'installation du protecteur de caoutchouc, poussez-le toujours dans l'outil de sorte que sa partie supérieure saillante et ronde se trouve près de la position de l'interrupteur.
- Meules sur tige
- Cône de mandrin (3 mm, 6 mm, 8 mm, 1/4", 1/8")
- Écrou de mandrin
- Clés 13
- Jeu de poignée latérale
- Batterie et chargeur Makita authentiques

### NOTE :

- Il se peut que certains éléments de la liste soient compris dans l'emballage de l'outil en tant qu'accessoires standard. Ils peuvent varier d'un pays à l'autre.

**Bruit**

Niveau de bruit pondéré A typique, déterminé selon EN60745 :

Niveau de pression sonore ( $L_{pA}$ ) : 72 dB (A)

Incertitude (K) : 3 dB (A)

Le niveau de bruit en cours d'opération peut dépasser 80 dB (A).

**Porter des protecteurs anti-bruit**

ENG900-1

**Vibrations**

Valeur totale de vibrations (somme de vecteur triaxial) déterminée selon EN60745 :

**Modèle DGD800**

Mode de travail : meulage de surface

Émission de vibrations ( $a_{h, SG}$ ) : 6,5 m/s<sup>2</sup>

Incertitude (K) : 1,5 m/s<sup>2</sup>

**Modèle DGD801**

Mode de travail : meulage de surface

Émission de vibrations ( $a_{h, SG}$ ) : 2,5 m/s<sup>2</sup> ou moins

Incertitude (K) : 1,5 m/s<sup>2</sup>

ENG901-1

- La valeur d'émission de vibrations déclarée a été mesurée conformément à la méthode de test standard et peut être utilisée pour comparer les outils entre eux.
- La valeur d'émission de vibrations déclarée peut aussi être utilisée pour l'évaluation préliminaire de l'exposition.

** AVERTISSEMENT :**

- L'émission de vibrations lors de l'usage réel de l'outil électrique peut être différente de la valeur d'émission déclarée, suivant la façon dont l'outil est utilisé.
- Les mesures de sécurité à prendre pour protéger l'utilisateur doivent être basées sur une estimation de l'exposition dans des conditions réelles d'utilisation (en tenant compte de toutes les composantes du cycle d'utilisation, comme par exemple le moment de sa mise hors tension, lorsqu'il tourne à vide et le moment de son déclenchement).

**DÉCLARATION DE CONFORMITÉ CE****Pour les pays européens uniquement**

La déclaration de conformité CE est fournie en Annexe A à ce mode d'emploi.

**Übersicht**

1 Taste	7 Schiebeschalter	13 Verschleißgrenze
2 Rote Anzeige	8 Anzeigenleuchte	14 Halterkappenabdeckung
3 Akkublock	9 Gabelschlüssel 13	15 Schraubendreher
4 Sternsymbol	10 Schleifstift	16 Bürstenhalterkappe
5 Anzeigelampen	11 Spannzangenmutter	
6 Prüftaste	12 Gabelschlüssel 13	

**TECHNISCHE DATEN**

Modell	DGD800	DGD801
Spannzangenkapazität .....	6 mm oder 6,35 mm (1/4")	6 mm oder 6,35 mm (1/4")
Max. Schleifstiftdurchmesser .....	36 mm	36 mm
Max. Spindel-(Schaft)-Länge .....	46 mm	46 mm
Leerlaufdrehzahl (n <sub>0</sub> ) / Nenndrehzahl (n).....	26 000 (min <sup>-1</sup> )	26 000 (min <sup>-1</sup> )
Gesamtlänge .....	402 mm	307 mm
Nettogewicht .....	2,0 kg	1,7 kg
Nennspannung .....	Gleichspannung 18 V	Gleichspannung 18 V

- Wir behalten uns vor, Änderungen im Zuge der Entwicklung und des technischen Fortschritts ohne vorherige Ankündigung vorzunehmen.
- Die technischen Daten und der Akku können von Land zu Land unterschiedlich sein.
- Gewicht mit Akku nach EPTA-Verfahren 01/2003

ENE050-1

**Vorgesehene Verwendung**

Die Maschine ist für das Schleifen von Eisenmaterial oder das Entgraten von Gussmaterial vorgesehen.

GEA010-1

**Allgemeine Sicherheitswarnungen für Elektrowerkzeuge**

**⚠ WARNUNG Lesen Sie alle Sicherheitswarnungen und Anweisungen durch.** Eine Missachtung der unten aufgeführten Warnungen und Anweisungen kann zu einem elektrischen Schlag, Brand und/oder schweren Verletzungen führen.

**Bewahren Sie alle Warnungen und Anweisungen für spätere Bezugnahme auf.**

GEB124-2

**SICHERHEITSWARNUNGEN FÜR AKKU-GERADSCHLEIFER**

**Allgemeine Sicherheitshinweise für Schleifbetrieb:**

1. **Dieses Elektrowerkzeug ist für den Einsatz als Schleifer vorgesehen. Lesen Sie alle mit diesem Elektrowerkzeug gelieferten Sicherheitswarnungen, Anweisungen, Abbildungen und technischen Daten durch.** Eine Missachtung der unten aufgeführten Anweisungen kann zu einem elektrischen Schlag, Brand und/oder schweren Verletzungen führen.
2. **Arbeiten, wie Schleifen, Drahtbürsten, Polieren oder Abschneiden mit diesem Elektrowerkzeug, sind nicht zu empfehlen.** Benutzungsweisen, für die das Elektrowerkzeug nicht ausgelegt ist, können Gefahren erzeugen und Verletzungen verursachen.
3. **Verwenden Sie kein Zubehör, das nicht speziell vom Werkzeughersteller vorgesehen ist und empfohlen wird.** Die bloße Tatsache, dass ein Zubehörteil an Ihrem Elektrowerkzeug angebracht werden kann, gewährleistet noch keinen sicheren Betrieb.

4. **Die Nenndrehzahl der Schleifzubehöerteile muss mindestens der am Elektrowerkzeug angegebenen Maximaldrehzahl entsprechen.** Schleifzubehöerteile, die schneller als ihre Nenndrehzahl rotieren, können bersten und auseinander fliegen.
5. **Außendurchmesser und Dicke des Zubehöerteils müssen innerhalb der Kapazitätsgrenzen Ihres Elektrowerkzeugs liegen.** Zubehöerteile der falschen Größe können nicht angemessen kontrolliert werden.
6. **Die Spindel von Zubehöerteilen muss genau in die Spannzange des Elektrowerkzeugs passen.** Zubehöerteile, die nicht genau an den Montageflansch des Elektrowerkzeugs angepasst sind, laufen unruhig, vibrieren übermäßig und können einen Verlust der Kontrolle verursachen.
7. **Spindelmontierte Zubehöerteile müssen vollständig in die Spannzange oder das Spannfutter eingeführt werden.** Falls die Spindel nicht sicher genug gehalten wird und/oder der Überhang des Schleifrads zu lang ist, kann sich das montierte Zubehöerteil lockern und mit hoher Geschwindigkeit weggeschleudert werden.
8. **Verwenden Sie keine beschädigten Zubehöerteile. Untersuchen Sie das Zubehöerteil, wie z. B. eine Schleifscheibe, vor jedem Gebrauch auf Absplitterungen und Risse.** Falls das Elektrowerkzeug oder das Zubehöerteil herunterfällt, überprüfen Sie es auf Beschädigung, oder montieren Sie ein unbeschädigtes Zubehöerteil. Achten Sie nach der Überprüfung und Installation eines Zubehöerteils darauf, dass Sie selbst und Umstehende nicht in der Rotationsebene des Zubehöerteils stehen, und lassen Sie das Elektrowerkzeug eine Minute lang mit maximaler Leerlaufdrehzahl laufen. Ein beschädigtes Zubehöerteil bricht normalerweise während dieses Probelaufs auseinander.

9. **Tragen Sie Schutzausrüstung. Benutzen Sie je nach der Arbeit einen Gesichtsschutz bzw. eine Sicherheits- oder Schutzbrille. Tragen Sie bei Bedarf eine Staubmaske, Ohrenschützer, Handschuhe und eine Arbeitsschürze, die in der Lage ist, kleine Schleifpartikel oder Werkstücksplitter abzuwehren.** Der Augenschutz muss in der Lage sein, den bei verschiedenen Arbeiten anfallenden Flugstaub abzuwehren. Die Staubmaske oder Atemschutzmaske muss in der Lage sein, durch die Arbeit erzeugte Partikel herauszufiltern. Lang anhaltende Lärmbelastung kann zu Gehörschäden führen.
  10. **Halten Sie Umstehende in sicherem Abstand vom Arbeitsbereich. Jeder, der den Arbeitsbereich betritt, muss Schutzausrüstung tragen.** Bruchstücke des Werkstücks oder eines beschädigten Zubehörs können weggeschleudert werden und Verletzungen über den unmittelbaren Arbeitsbereich hinaus verursachen.
  11. **Halten Sie das Elektrowerkzeug nur an den isolierten Griffflächen, wenn Sie Arbeiten ausführen, bei denen die Gefahr besteht, dass das Schneidwerkzeug verborgene Kabel kontaktiert.** Bei Kontakt des Schneidzubehörs mit einem Strom führenden Kabel können die freiliegenden Metallteile des Elektrowerkzeugs ebenfalls Strom führend werden, so dass der Benutzer einen elektrischen Schlag erleiden kann.
  12. **Halten Sie die Maschine während des Anlaufs immer mit beiden Händen fest.** Während der Motor auf volle Drehzahl beschleunigt, kann das Reaktionsdrehmoment eine Verdrehung der Maschine verursachen.
  13. **Stützen Sie das Werkstück mit Klemmen ab, wenn dies durchführbar ist. Halten Sie während des Betriebs niemals ein kleines Werkstück in der einen, und die Maschine in der anderen Hand.** Durch Einspannen eines kleinen Werkstücks können Sie die Maschine mit beiden Händen unter Kontrolle halten. Rundmaterial, wie z. B. Stangen, Leitungen oder Rohre, neigt beim Schneiden zum Rollen, was dazu führen kann, dass der Einsatz klemmt oder auf den Bediener zu springt.
  14. **Legen Sie das Elektrowerkzeug erst ab, nachdem das Zubehörteil zum vollständigen Stillstand gekommen ist.** Anderenfalls kann das rotierende Zubehörteil die Oberfläche erfassen und das Elektrowerkzeug aus Ihren Händen reißen.
  15. **Nachdem Sie den Einsatz gewechselt oder Einstellungen vorgenommen haben, sollten Sie sich vergewissern, dass die Spannzangenmutter, das Spannfutter oder andere Einstellvorrichtungen einwandfrei festgezogen sind.** Lockere Einstellvorrichtungen können unerwartet verrutschen, was zum Verlust der Kontrolle führen kann, und lockere rotierende Komponenten können heftig weggeschleudert werden.
  16. **Lassen Sie das Elektrowerkzeug nicht laufen, während Sie es an Ihrer Seite tragen.** Das rotierende Zubehörteil könnte sonst bei versehentlichem Kontakt Ihre Kleidung erfassen und auf Ihren Körper zu gezogen werden.
  17. **Reinigen Sie die Ventilationsöffnungen des Elektrowerkzeugs regelmäßig.** Der Lüfter des Motors saugt Staub in das Gehäuse an, und starke Ablagerungen von Metallstaub können elektrische Gefahren verursachen.
  18. **Betreiben Sie das Elektrowerkzeug nicht in der Nähe von brennbaren Materialien.** Funken könnten diese Materialien entzünden.
  19. **Verwenden Sie keine Zubehörteile, die Kühlfüssigkeiten erfordern.** Die Verwendung von Wasser oder anderen Kühlfüssigkeiten kann zu einem Stromschlag führen.
- Ein Rückschlag und damit zusammenhängende**  
Rückstoß ist eine plötzliche Reaktion auf ein eingeklemmtes oder stockendes Zubehör. Klemmen oder Hängenbleiben verursacht ruckartiges Stocken des rotierenden Zubehörteils, was wiederum dazu führt, dass das außer Kontrolle geratene Elektrowerkzeug am Stockpunkt in die entgegengesetzte Drehrichtung des Zubehörs geschleudert wird.  
Wenn beispielsweise eine Schleifscheibe vom Werkstück erfasst oder eingeklemmt wird, kann sich die in den Klemmpunkt eindringende Schleifscheibenkante in die Materialoberfläche bohren, so dass sie herausspringt oder zurückschlägt. Je nach der Drehrichtung der Schleifscheibe am Klemmpunkt kann die Schleifscheibe auf die Bedienungsperson zu oder von ihr weg springen.  
Schleifscheiben können unter solchen Bedingungen auch brechen.  
Rückschlag ist das Resultat falscher Handhabung des Elektrowerkzeugs und/oder falscher Arbeitsverfahren oder -bedingungen und kann durch Anwendung der nachstehenden Vorsichtsmaßnahmen vermieden werden.
- a) **Halten Sie das Elektrowerkzeug mit festem Griff, und positionieren Sie Ihren Körper und Arm so, dass Sie die Rückschlagkräfte auffangen können.** Drehbewegungen oder Rückschlagkräfte können kontrolliert werden, wenn entsprechende Vorkehrungen getroffen werden.
  - b) **Lassen Sie beim Bearbeiten von Ecken und scharfen Kanten usw. besondere Vorsicht walten. Vermeiden Sie Anstoßen und Verhaken des Zubehörteils.** Ecken, scharfe Kanten oder Anstoßen führen leicht zu Hängenbleiben des rotierenden Zubehörs und verursachen Verlust der Kontrolle oder Rückschlag.
  - c) **Montieren Sie keine gezahnten Sägeblätter.** Solche Zubehörteile verursachen häufige Rückschläge und Verlust der Kontrolle.
  - d) **Schieben Sie den Einsatz immer in derselben Richtung in das Material vor, da die Schneidkante aus dem Material austritt (in Flugrichtung der Späne).** Wird die Maschine in der falschen Richtung vorgeschoben, klettert die Schneidkante des Einsatzes aus dem Werkstück heraus und zieht die Maschine in die Richtung dieses Vorschubs.
- Spezielle Sicherheitshinweise für Schleifarbeiten:**
- a) **Verwenden Sie nur Schleifradtypen, die für Ihr Elektrowerkzeug empfohlen werden, und nur für die empfohlenen Anwendungen.**



**Zusätzliche Sicherheitshinweise:**

20. Die Maschine ist für den Gebrauch mit gebundenen Schleifspitzen (Schleifsteinen) vorgesehen, die dauerhaft auf einer glatten Spindel (Schaft) ohne Gewinde montiert sind.
21. Vergewissern Sie sich vor dem Einschalten der Maschine, dass die Schleifscheibe nicht das Werkstück berührt.
22. Lassen Sie das Werkzeug vor der eigentlichen Bearbeitung eines Werkstücks eine Weile laufen. Achten Sie auf Vibrationen oder Taumelbewegungen, die Anzeichen für schlechte Montage oder eine schlecht ausgewuchtete Schleifscheibe sein können.
23. Verwenden Sie nur die vorgeschriebene Fläche der Schleifscheibe für Schleifarbeiten.
24. Nehmen Sie sich vor Funkenflug in Acht. Halten Sie die Maschine so, dass Sie und andere Personen oder leicht entzündliche Materialien nicht von den Funken getroffen werden.
25. Lassen Sie die Maschine nicht unbeaufsichtigt laufen. Benutzen Sie die Maschine nur mit Handhaltung.
26. Vermeiden Sie eine Berührung des Werkstücks unmittelbar nach der Bearbeitung, weil es dann noch sehr heiß ist und Hautverbrennungen verursachen kann.
27. Vermeiden Sie eine Berührung von Zubehörteilen unmittelbar nach der Bearbeitung, weil sie dann noch sehr heiß sind und Hautverbrennungen verursachen können.
28. Befolgen Sie die Anweisungen des Herstellers für korrekte Montage und Verwendung von Schleifscheiben. Behandeln und lagern Sie Schleifscheiben mit Sorgfalt.
29. Vergewissern Sie sich, dass das Werkstück sicher abgestützt ist.
30. Falls der Arbeitsplatz sehr heiß, feucht oder durch leitfähigen Staub stark verschmutzt ist, verwenden Sie einen Kurzschlusschalter (30 mA) zum Schutz des Bedieners.
31. Verwenden Sie diese Maschine nicht zur Bearbeitung von asbesthaltigen Materialien.
32. Achten Sie stets auf sicheren Stand. Vergewissern Sie sich bei Einsatz der Maschine an hochgelegenen Arbeitsplätzen, dass sich keine Personen darunter aufhalten.

**BEWAHREN SIE DIESE HINWEISE SORGFÄLTIG AUF.****⚠ WARNUNG:**

Lassen Sie sich NICHT durch Bequemlichkeit oder Vertrautheit mit dem Produkt (durch wiederholten Gebrauch erworben) von der strikten Einhaltung der Sicherheitsregeln für das vorliegende Produkt abhalten. MISSBRAUCH oder Missachtung der Sicherheitsvorschriften in dieser Anleitung können schwere Verletzungen verursachen.

**WICHTIGE SICHERHEITSGESAMTREGELN****FÜR AKKUBLOCK**

1. Lesen Sie vor der Verwendung des Akkublocks alle Anweisungen und Sicherheitshinweise für das Akkuladegerät (1), den Akku (2) und das Produkt (3), für das der Akku verwendet wird.
2. Der Akkublock darf nicht zerlegt werden.
3. Falls die Betriebsdauer erheblich kürzer wird, beenden Sie den Betrieb umgehend. Andernfalls besteht die Gefahr einer Überhitzung sowie das Risiko möglicher Verbrennungen und sogar einer Explosion.
4. Wenn Elektrolyt in Ihre Augen gerät, waschen Sie diese mit klarem Wasser aus und suchen Sie sofort einen Arzt auf. Andernfalls können Sie Ihr Augenlicht verlieren.
5. Vermeiden Sie einen Kurzschluss des Akkublocks:
  - (1) Die Kontakte dürfen nicht mit leitendem Material in Berührung kommen.
  - (2) Der Akkublock darf nicht in einem Behälter aufbewahrt werden, in dem sich andere metallische Gegenstände (beispielsweise Nägel, Münzen usw.) befinden.
  - (3) Der Akkublock darf weder Feuchtigkeit noch Regen ausgesetzt werden.
 Ein Kurzschluss des Akkus kann zu einem hohem Stromfluss, Überhitzung, möglichen Verbrennungen und sogar zu einer Zerstörung führen.
6. Werkzeug und Akkublock dürfen nicht an Orten aufbewahrt werden, an denen die Temperatur 50°C oder höher erreichen kann.
7. Selbst wenn der Akkublock schwer beschädigt oder völlig verbraucht ist, darf er nicht angezündet werden. Der Akkublock kann in den Flammen explodieren.
8. Lassen Sie den Akku nicht fallen und vermeiden Sie Schläge gegen den Akku.
9. Keinen beschädigten Akku benutzen.
10. Die enthaltenen Lithium-Ionen-Akkus unterliegen den Anforderungen der Gefahrgut-Gesetzgebung.
 

Für kommerzielle Transporte, z. B. durch Dritte oder Spediteure, müssen besondere Anforderungen zu Verpackung und Etikettierung beachtet werden. Zur Vorbereitung des zu transportierenden Artikels ist eine Beratung durch einen Experten für Gefahrgut erforderlich. Bitte beachten Sie möglicherweise ausführlichere nationale Vorschriften.

Überkleben oder verdecken Sie offene Kontakte, und verpacken Sie den Akku so, dass er sich in der Verpackung nicht umher bewegen kann.
11. Befolgen Sie die örtlichen Bestimmungen bezüglich der Entsorgung von Akkus.

**BEWAHREN SIE DIESE HINWEISE SORGFÄLTIG AUF.**

**⚠ VORSICHT:** Verwenden Sie nur Original-Makita-Akkus.

Die Verwendung von Nicht-Original-Makita-Akkus oder von Akkus, die abgeändert worden sind, kann zum Bersten des Akkus und daraus resultierenden Bränden, Personenschäden und Beschädigung führen. Außerdem wird dadurch die Makita-Garantie für das Makita-Werkzeug und -Ladegerät ungültig.

**Tipps für den Erhalt der maximalen Akku-Nutzungsdauer**

1. **Laden Sie den Akkublock auf, bevor er ganz entladen ist.**  
Sobald Sie eine verringerte Werkzeugleistung bemerken, beenden Sie stets den Betrieb des Werkzeugs und laden Sie den Akkublock auf.
2. **Ein voll aufgeladener Akkublock darf niemals erneut geladen werden.**  
Durch Überladungen wird die Lebensdauer des Akkus verkürzt.
3. **Der Akkublock muss bei einer Zimmertemperatur zwischen 10°C und 40°C aufgeladen werden.**  
Lassen Sie einen heißen Akkublock vor dem Aufladen abkühlen.
4. **Der Akku muss geladen werden, wenn er lange Zeit (länger als sechs Monate) nicht benutzt wird.**

**FUNKTIONSBESCHREIBUNG**

**⚠ VORSICHT:**

- Schalten Sie das Werkzeug stets aus und entfernen Sie den Akkublock, bevor Sie Einstellungen oder eine Funktionsprüfung des Werkzeugs vornehmen.

**Montage und Demontage des Akkublocks (Abb. 1)**

**⚠ VORSICHT:**

- Schalten Sie stets die Maschine aus, bevor Sie den Akku anbringen oder abnehmen.
- **Halten Sie Maschine und Akku beim Anbringen oder Abnehmen des Akkus sicher fest.** Wenn Sie Maschine und Akku nicht sicher festhalten, können sie Ihnen aus der Hand rutschen, was zu einer Beschädigung der Maschine und des Akkus und zu Körperverletzungen führen kann.

Ziehen Sie den Akku zum Abnehmen von der Maschine ab, während Sie den Knopf an der Vorderseite des Akkus verschieben.

Richten Sie zum Anbringen des Akkus dessen Führungsfeder auf die Nut im Gehäuse aus, und schieben Sie den Akku hinein. Schieben Sie ihn vollständig ein, bis er mit einem hörbaren Klicken einrastet. Falls die rote Anzeige an der Oberseite des Knopfes sichtbar ist, ist der Akku-Adapter nicht vollständig verriegelt.

**⚠ VORSICHT:**

- Schieben Sie den Akku stets bis zum Anschlag ein, bis die rote Anzeige nicht mehr sichtbar ist. Anderenfalls kann er aus der Maschine herausfallen und Sie oder umstehende Personen verletzen.
- Unterlassen Sie Gewaltanwendung beim Anbringen des Akkus. Falls der Akku nicht reibungslos hineingleitet, ist er nicht richtig ausgerichtet.

**Akku-Schutzsystem (Abb. 2)**

Die Maschine ist mit einem Akku-Schutzsystem ausgestattet. Dieses System schaltet die Stromversorgung des Motors automatisch ab, um die Akku-Lebensdauer zu verlängern.

Die Maschine schaltet sich während des Betriebs automatisch ab, wenn Maschine und/oder Akku einer der folgenden Bedingungen unterliegen:

- **Überlastung:**  
Die Maschine wird auf eine Weise benutzt, die eine ungewöhnlich hohe Stromaufnahme bewirkt. Schalten Sie in dieser Situation die Maschine aus, und brechen Sie die Anwendung ab, die eine Überlastung der Maschine verursacht hat. Schalten Sie dann die Maschine wieder ein, um sie neu zu starten. Falls die Maschine nicht startet, ist der Akku überhitzt. Lassen Sie den Akku in dieser Situation abkühlen, bevor Sie die Maschine wieder einschalten.
- **Niedrige Akkuspannung:**  
Die Akku-Restkapazität ist zu niedrig, und die Maschine funktioniert nicht. Nehmen Sie in dieser Situation den Akku ab, und laden Sie ihn auf.









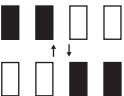
**HINWEIS:**

- Der Überhitzungsschutz funktioniert nur mit einem Akku mit Sternsymbol.

**Anzeigen der Akku-Restkapazität (Abb. 3)**

(Nur für Akkus mit "B" am Ende der Modellnummer.)

Drücken Sie die Prüftaste am Akku, um die Akku-Restkapazität anzuzeigen. Die Anzeigelampen leuchten wenige Sekunden lang auf.

Anzeigelampen			Restkapazität
			
Erleuchtet	Aus	Blinkend	
			75% bis 100%
			50% bis 75%
			25% bis 50%
			0% bis 25%
			Den Akku aufladen.
			Möglicherweise liegt eine Funktionsstörung im Akku vor.

015658

**HINWEIS:**

- Abhängig von den Benutzungsbedingungen und der Umgebungstemperatur kann die Anzeige geringfügig von der tatsächlichen Kapazität abweichen.

## Bedienung des Schalters (Abb. 4)

### ⚠ VORSICHT:

- Achten Sie vor dem Einsetzen des Akkublocks in das Werkzeug darauf, dass sich der Schiebeshalter korrekt bedienen lässt und auf die Position "OFF" (AUS) zurückkehrt, sobald das hintere Ende des Schiebeshalters nach unten gedrückt wird.
- Der Schalter kann zur Arbeitserleichterung bei längerem Einsatz in der "ON" (EIN)-Stellung verriegelt werden. Lassen Sie Vorsicht walten, wenn Sie den Schalter in der "ON" (EIN)-Stellung verriegeln, und halten Sie die Maschine mit festem Griff.

Um das Werkzeug einzuschalten, schieben Sie den Schiebeshalter auf die Position "I (ON)". Zum Dauerbetrieb muss das vordere Ende des Schiebeshalters gedrückt werden, um den Schalter zu arretieren. Wenn Sie das Werkzeug anhalten möchten, drücken Sie das hintere Ende des Schiebeshalters, und schieben Sie diesen dann in die Position "O (OFF)".

## Kombinationsanzeigenleuchte (Abb. 5)

Die Anzeigenleuchten befinden sich an zwei Stellen. Wenn der Akkublock in das Werkzeug eingesetzt wird und der Schiebeshalter auf der Position "O (OFF)" steht, leuchtet die Anzeigenleuchte etwa eine Sekunde lang kurz auf. Ist dies nicht der Fall, ist entweder der Akkublock oder die Anzeigenleuchte beschädigt.

### – Überlastungsschutz

- Bei einer Überlastung des Werkzeugs leuchtet die Anzeigenleuchte auf. Sobald die Werkzeuglast verringert wird, erlischt die Anzeige.
- Wenn das Werkzeug weiterhin überlastet wird und die Anzeigenleuchte etwa zwei Sekunden lang leuchtet, wird das Werkzeug angehalten. Auf diese Weise wird eine Beschädigung des Motors sowie der zugehörigen Teile verhindert.
- Stellen Sie in diesem Fall den Schiebeshalter zum Neustart des Werkzeugs einmal in die Position "O (OFF)" und dann wieder in die Position "I (ON)".

### – Warnsignal für erforderlichen Akku-Austausch

- Wenn die Restladung des Akkus nur noch gering ist, leuchtet die Anzeigenleuchte während des Betriebs mit dem Akku frühzeitig auf.

### – Funktion zur Vermeidung eines versehentlichen Neustarts

- Selbst wenn sich der Schiebeshalter auf der Position "I (ON)" befindet und der Akkublock eingesetzt wurde, wird das Werkzeug nicht gestartet. Dabei flackert die Anzeigenleuchte langsam, was bedeutet, dass die Funktion zur Vermeidung eines versehentlichen Neustarts aktiv ist.
- Schieben Sie zum Start des Werkzeugs zunächst den Schiebeshalter in die Position "O (OFF)" und anschließend in die Position "I (ON)".

## MONTAGE

### ⚠ VORSICHT:

- Schalten Sie das Werkzeug stets aus, und entfernen Sie den Akkublock, bevor Sie Arbeiten am Werkzeug ausführen.

## Montage und Demontage des Schleifstifts (Abb. 6 u. 7)

Die Spannzangenmutter lösen, und den Schleifstift in die Spannzangenmutter einführen. Benutzen Sie den einen Schraubenschlüssel, um die Spindel festzuhalten, und den anderen, um die Spannzangenmutter sicher anzuziehen.

Der Schleifstift sollte nicht mehr als 10 mm von der Spannzangenmutter überstehen. Eine Überschreitung dieses Abstands kann zu Vibrationen oder Schaftbruch führen.

Zum Demontieren des Schleifstifts ist das Montageverfahren umgekehrt anzuwenden.

### ⚠ VORSICHT:

- Verwenden Sie einen passenden Spannzangenkonus für den zu benutzenden Schleifstift.

## BETRIEB (Abb. 8)

Das Werkzeug einschalten, ohne dass der Schleifstift das Werkstück berührt, und warten, bis er die volle Drehzahl erreicht. Dann den Schleifstift sachte an das Werkstück ansetzen. Um einen sauberen Schliff zu erhalten, das Werkzeug langsam nach links bewegen.

### ⚠ VORSICHT:

- Üben Sie nur leichten Druck auf das Werkzeug aus. Übermäßiger Druck auf das Werkzeug führt nur zu schlechtem Schliff und Überlastung des Motors.

## WARTUNG

### ⚠ VORSICHT:

- Schalten Sie das Werkzeug stets aus und entfernen Sie den Akkublock, bevor Sie Inspektionen oder Wartungsarbeiten am Werkzeug vornehmen.
- Verwenden Sie auf keinen Fall Benzin, Benzol, Verdünnern, Alkohol oder dergleichen. Solche Mittel können Verfärbung, Verformung oder Rissbildung verursachen.

## Austausch der Kohlebürsten

Entfernen und überprüfen Sie die Kohlebürsten in regelmäßigen Abständen. Ersetzen Sie diese, wenn sie bis zur Verschleißgrenze abgenutzt sind. Halten Sie die Kohlebürsten sauber und sorgen Sie dafür, dass sie locker in den Halterungen liegen. Beide Kohlebürsten sollten gleichzeitig ersetzt werden. Verwenden Sie nur identische Kohlebürsten. (Abb. 9)

Setzen Sie das obere Ende des Schlitzschraubendrehers in die Kerbe am Werkzeug, und entfernen Sie die Abdeckung der Halterkappe, indem Sie diese anheben. (Abb. 10)

Verwenden Sie einen Schraubendreher, um die Bürstenhalterkappen zu entfernen. Entnehmen Sie die verbrauchten Kohlebürsten, legen Sie die neuen ein und bringen Sie die Bürstenhalterkappen wieder fest an. (Abb. 11)

Befestigen Sie die Abdeckung der Halterkappe wieder am Gerät.

Um die SICHERHEIT und ZUVERLÄSSIGKEIT des Produkts zu gewährleisten, sollten Reparaturen, Wartungsarbeiten und Einstellungen nur durch von Makita autorisierte Servicecenter durchgeführt und immer Makita-Ersatzteile verwendet werden.

## SONDERZUBEHÖR

### ⚠ VORSICHT:

- Die folgenden Zubehör- und Zusatzteile werden für das in diesem Handbuch beschriebene Makita-Werkzeug empfohlen. Die Verwendung anderer Zubehör- und Zusatzteile kann zu Personenschäden führen. Verwenden Sie Zubehör- und Zusatzteile nur für den vorgesehenen Zweck.

Informationen zu diesem Zubehör erhalten Sie bei einem Makita-Servicecenter in Ihrer Nähe.

### Seitengriff (Zubehör) (Abb. 12, 13, 14, u. 15)

Wenn Sie den Seitengriff benutzen, entfernen Sie den Gummischutz, führen Sie den Seitengriff bis zum Anschlag in das Maschinengehäuse ein, und drehen Sie ihn auf den gewünschten Winkel. Ziehen Sie dann den Griff durch Drehen im Uhrzeigersinn an.

### ⚠ VORSICHT:

- Wenn Sie die Maschine ohne den Griff benutzen, bringen Sie stets den Gummischutz an der Maschine an.
- Drücken Sie den Gummischutz zum Anbringen immer auf die Maschine, so dass die oben abgerundete Vertiefung des Gummis in der Nähe der Schalterposition liegt.

- Schleifstifte
- Spannzangenkonus (3 mm, 6 mm, 8 mm, 1/4", 1/8")
- Spannzangenmutter
- Gabelschlüssel 13
- Seitengriffsatz
- Original-Makita-Akku und -Ladegerät

### HINWEIS:

- Manche Teile in der Liste können als Standardzubehör im Werkzeugsatz enthalten sein. Sie können von Land zu Land unterschiedlich sein.

ENG905-1

### Geräusch

Typischer A-bewerteter Geräuschpegel ermittelt gemäß EN60745:

Schalldruckpegel ( $L_{pA}$ ): 72 dB (A)

Ungewissheit (K): 3 dB (A)

Der Geräuschpegel während des Betriebs kann 80 dB (A) überschreiten.

### Gehörschutz tragen

ENG900-1

### Vibration

Vibrationsgesamt看wert (Drei-Achsen-Vektorsumme) ermittelt gemäß EN60745:

#### Modell DGD800

Arbeitsmodus: Oberflächenschleifen

Vibrationsemission ( $a_{h,SG}$ ): 6,5 m/s<sup>2</sup>

Ungewissheit (K): 1,5 m/s<sup>2</sup>

#### Modell DGD801

Arbeitsmodus: Oberflächenschleifen

Vibrationsemission ( $a_{h,SG}$ ): 2,5 m/s<sup>2</sup> oder weniger

Ungewissheit (K): 1,5 m/s<sup>2</sup>

ENG901-1

- Der angegebene Vibrationsemissionswert wurde im Einklang mit der Standardprüfmethode gemessen und kann für den Vergleich zwischen Maschinen herangezogen werden.
- Der angegebene Vibrationsemissionswert kann auch für eine Vorbewertung des Gefährdungsgrads verwendet werden.

### ⚠ WARNUNG:

- Die Vibrationsemission während der tatsächlichen Benutzung des Elektrowerkzeugs kann je nach der Benutzungsweise der Maschine vom angegebenen Emissionswert abweichen.
- Identifizieren Sie Sicherheitsmaßnahmen zum Schutz des Benutzers anhand einer Schätzung des Gefährdungsgrads unter den tatsächlichen Benutzungsbedingungen (unter Berücksichtigung aller Phasen des Arbeitszyklus, wie z. B. Ausschalt- und Leerlaufzeiten der Maschine zusätzlich zur Betriebszeit).

## EG-KONFORMITÄTSERKLÄRUNG

### Nur für europäische Länder

Die EG-Konformitätserklärung ist als Anhang A in dieser Bedienungsanleitung enthalten.

### Visione generale

1 Pulsante	7 Interruttore scorrevole	13 Indicatore di limite
2 Indicatore rosso	8 Spia luminosa	14 Coperchio supporto
3 Batteria	9 Chiave 13	15 Cacciavite
4 Marchio di stella	10 Punta disco	16 Coperchio portaspaZZola
5 Spie	11 Dado bussola di chiusura	
6 Bottone di controllo	12 Chiave 13	

### DATI TECNICI

Modello	DGD800	DGD801
Capacità bussola di chiusura .....	6 mm o 6,35 mm (1/4")	6 mm o 6,35 mm (1/4")
Diametro punta disco .....	36 mm	36 mm
Lunghezza massima del mandrino (codolo).....	46 mm	46 mm
Velocità a vuoto ( $n_0$ ) / Velocità nominale (n) .....	26.000 ( $\text{min}^{-1}$ )	26.000 ( $\text{min}^{-1}$ )
Lunghezza totale .....	402 mm	307 mm
Peso netto .....	2,0 kg	1,7 kg
Tensione nominale.....	18 V CC	18 V CC

- Per il nostro programma di ricerca e sviluppo continui, i dati tecnici sono soggetti a modifiche senza preavviso.
- I dati tecnici e la cartuccia batteria potrebbero differire da paese a paese.
- Peso, con batteria, secondo la Procedura EPTA 01/2003

ENE050-1

#### Utilizzo previsto

Questo utensile è progettato per la smerigliatura dei materiali ferrosi o la sbavatura degli stampi.

GEA010-1

#### Avvertimenti generali per la sicurezza dell'utensile elettrico

**⚠ AVVERTIMENTO** Leggere tutti gli avvertimenti per la sicurezza e le istruzioni. La mancata osservanza degli avvertimenti e delle istruzioni può causare scosse elettriche, incendio e/o gravi incidenti.

**Conservare tutti gli avvertimenti e le istruzioni per riferimenti futuri.**

GEB124-2

### AVVERTIMENTI PER LA SICUREZZA DELLA SMERIGLIATRICE PER STAMPI A BATTERIA

Avvertimenti per la sicurezza generali per le operazioni di smerigliatura:

1. **Questo utensile elettrico è progettato per i lavori di smerigliatura. Leggere tutti gli avvertimenti per la sicurezza, le istruzioni, le illustrazioni e i dati tecnici forniti con questo utensile elettrico.** La mancata osservanza di tutte le istruzioni elencate di seguito potrebbe causare una scossa elettrica, un incendio e/o un serio incidente.
2. **Con questo utensile si sconsiglia di eseguire operazioni quali la sabbatura, la spazzolatura metallica, la lucidatura o la troncatura.** Le operazioni per le quali questo utensile elettrico non è stato progettato potrebbero creare un pericolo e causare un incidente all'operatore.
3. **Non si devono usare accessori che non sono specificamente progettati e consigliati dal produttore dell'utensile.** Il solo fatto che un accessorio possa essere montato su questo utensile elettrico non garantisce un funzionamento sicuro.

4. **La velocità nominale degli accessori di smerigliatura deve essere almeno uguale alla velocità massima indicata sull'utensile elettrico.** Gli accessori di smerigliatura che girano più velocemente della loro velocità nominale possono spaccarsi e i frammenti possono venire scagliati in aria.
5. **Il diametro esterno e lo spessore dell'accessorio devono essere entro la capacità nominale dell'utensile elettrico.** Gli accessori con dimensioni scorrette non possono essere protetti o controllati adeguatamente.
6. **Le dimensioni dell'albero degli accessori devono entrare correttamente nella bussola di chiusura dell'utensile elettrico.** Gli accessori inadatti all'hardware di montaggio dell'utensile elettrico diventano sbilanciati, vibrano eccessivamente e potrebbero causare la perdita di controllo.
7. **Gli accessori montati sul mandrino devono essere inseriti completamente nella bussola di chiusura o portapunta.** Se il mandrino non è tenuto saldamente e/o se il disco sporge eccessivamente, l'accessorio montato potrebbe staccarsi e venire espulso ad alta velocità.
8. **Non si deve usare un accessorio danneggiato.** Prima di ogni utilizzo, ispezionare che gli accessori, come i dischi abrasivi, non presentino scheggiature o crepe. Se l'utensile elettrico o l'accessorio sono caduti, controllare che non presentino danni o installare un accessorio che non sia danneggiato. Dopo aver ispezionato e installato un accessorio, posizionare sé stessi e gli astanti fuori dal piano di rotazione dell'accessorio e far funzionare l'utensile elettrico per un minuto alla velocità massima senza carico. Gli accessori danneggiati si rompono normalmente durante questo tempo di prova.

9. **Indossare l'equipaggiamento personale di protezione. A seconda dell'applicazione, usare una visiera, occhiali di sicurezza o occhiali di protezione. Indossare una mascherina antipolvere, protezioni per le orecchie, guanti e un grembiule di lavoro in grado di arrestare piccoli frammenti abrasivi o del pezzo.** Gli occhiali di protezione devono essere in grado di arrestare i frammenti volanti generati dalle varie operazioni. La mascherina antipolvere o il respiratore devono essere in grado di filtrare le particelle generate dall'operazione in corso. L'esposizione prolungata al rumore ad alta intensità potrebbe causare la perdita dell'udito.
  10. **Mantenere gli astanti a una distanza di sicurezza dall'area di lavoro. Chiunque entri nell'area di lavoro deve indossare l'equipaggiamento personale di protezione.** I frammenti del pezzo o un accessorio rotto potrebbero volare via e causare un incidente oltre l'area immediata dell'operazione.
  11. **Mantenere l'utensile elettrico solo per le superfici di impugnatura isolate quando si intende eseguire un'operazione in cui l'utensile da taglio potrebbe entrare in contatto con fili elettrici nascosti.** Il contatto dell'accessorio da taglio con un filo elettrico sotto tensione potrebbe mettere sotto tensione le parti metalliche esposte dell'utensile elettrico e potrebbe trasmettere una scossa elettrica all'operatore.
  12. **Tenere sempre saldamente in mano l'utensile durante l'avviamento.** La coppia di reazione del motore quando accelera fino alla velocità massima può far deviare l'utensile.
  13. **Ogni volta possibile, usare morsetti per supportare il pezzo. Durante l'uso non si devono mai tenere i piccoli pezzi con una mano e l'utensile con l'altra.** Fissando i piccoli pezzi si possono usare le mani per controllare l'utensile. I materiali rotondi, come le aste dei perni, i tubi o le tubature tendono a ruotare quando vengono tagliati e potrebbero causare l'inceppamento della punta o farla rimbalzare verso l'operatore.
  14. **L'utensile elettrico non va mai posato finché l'accessorio non si è arrestato completamente.** L'accessorio che gira potrebbe far presa sulla superficie e causare la perdita di controllo dell'utensile elettrico.
  15. **Dopo il cambiamento delle punte o qualsiasi regolazione, accertarsi che il dado della bussola di chiusura, il portapunta o qualsiasi altro dispositivo di regolazione siano fissati saldamente.** I dispositivi di regolazione allentati potrebbero spostarsi inaspettatamente causando la perdita di controllo, e scagliare violentemente le parti rotanti allentate.
  16. **L'utensile non deve essere fatto funzionare mentre viene trasportato sul fianco.** L'accessorio rotante potrebbe fare accidentalmente contatto con il vestito impigliandosi e attirare l'utensile nel corpo dell'operatore.
  17. **Pulire regolarmente le aperture di ventilazione dell'utensile elettrico.** La ventola del motore attira la polvere all'interno dell'alloggiamento, e l'accumulazione eccessiva della polvere metallica potrebbe causare pericoli di scosse elettriche.
  18. **L'utensile elettrico non deve essere usato vicino a materiali infiammabili.** Le scintille che sprigiona potrebbero incendiarli.
  19. **Non si devono usare accessori che richiedono refrigeranti liquidi.** L'impiego d'acqua o di altri refrigeranti liquidi potrebbe causare elettrocuzione o scosse elettriche.
- Contraccolpi e avvertimenti relativi**
- Il contraccolpo è l'improvvisa reazione a un accessorio rotante incastrato o trattenuto. L'accessorio rotante incastrato o trattenuto subisce un improvviso stallo, che a sua volta causa la spinta dell'utensile elettrico fuori controllo nella direzione opposta a quella di rotazione dell'accessorio.
- Per esempio, se un disco abrasivo viene catturato dal pezzo o vi rimane incastrato, il filo del disco che entra nel punto di incastramento può penetrare nella superficie del materiale causando la fuoriuscita o il contraccolpo dell'utensile. Il disco potrebbe rimbalzare verso o discosto dall'operatore, a seconda della direzione del movimento del disco sul punto di incastramento. In queste condizioni, i dischi abrasivi potrebbero anche rompersi.
- I contraccolpi sono il risultato dell'utilizzo sbagliato dell'utensile elettrico e/o di procedure o condizioni scorrette, e possono essere evitati prendendo le precauzioni appropriate come indicato di seguito.
- a) **Tenere saldamente l'utensile elettrico, e posizionare il corpo e il braccio in modo da poter resistere alla forza dei contraccolpi.** Con le dovute precauzioni l'operatore può controllare la forza del contraccolpo.
  - b) **Fare particolarmente attenzione lavorando gli angoli, i bordi aguzzi, ecc. Evitare di far rimbalzare o catturare l'accessorio.** Gli angoli, i bordi aguzzi o i rimbalzi tendono a catturare l'accessorio rotante e a causare la perdita di controllo dell'utensile o un contraccolpo.
  - c) **Non si deve attaccare una lama di sega dentata.** Tali lame causano frequenti contraccolpi e perdita di controllo dell'utensile.
  - d) **Spingere sempre la punta nel materiale nella stessa direzione di uscita del bordo di taglio dal materiale (che è la stessa direzione di espulsione dei trucioli).** Spingendo l'utensile nella direzione sbagliata si fa venire fuori dal pezzo il bordo tagliente della punta, e l'utensile viene tirato nella direzione della spinta.
- Avvertimenti specifici per la sicurezza per la smerigliatura:**
- a) **Usare soltanto i dischi consigliati per l'utensile elettrico, e soltanto per le applicazioni consigliate.**
- Avvertimenti aggiuntivi per la sicurezza:**
20. **Questo utensile è progettato per l'uso con punte dischi abrasivi (mole) montate permanentemente su mandrini (codoli) comuni senza filettature.**
  21. **Accertarsi che il disco non faccia contatto con il pezzo prima di avviare l'utensile.**
  22. **Prima di usare l'utensile sul pezzo da lavorare, lasciarlo girare per qualche momento. Guardare se ci sono vibrazioni od ondeggiamenti, che potrebbero indicare una installazione scarsa o sbilanciata del disco.**
  23. **Usare la superficie specificata del disco per eseguire la smerigliatura.**
  24. **Fare attenzione alle scintille. Tenere l'utensile in modo che le scintille non siano dirette verso di sé e altre persone, o materiali infiammabili.**

25. L'utensile non deve essere posato mentre gira. Far funzionare l'utensile soltanto tenendolo in mano.
26. Il pezzo non deve essere toccato immediatamente dopo il lavoro, perché potrebbe essere estremamente caldo e bruciare la pelle.
27. Non toccare gli accessori subito dopo l'utilizzo; la loro temperatura potrebbe essere estremamente elevata e potrebbero causare ustioni.
28. Osservare le istruzioni del produttore per il corretto montaggio e utilizzo dei dischi. Maneggiare e conservare i dischi con cura.
29. Accertarsi che il pezzo sia supportato correttamente.
30. Se il luogo di lavoro è estremamente caldo e umido o molto inquinato da polvere conduttiva, usare un interruttore di corrente (30 mA) per garantire la sicurezza dell'operatore.
31. L'utensile non deve essere usato su nessun materiale contenente amianto.
32. Accertarsi sempre di avere i piedi appoggiati saldamente. Controllare sempre che non ci sia qualcuno sotto quando si usa l'utensile in un luogo alto.

## CONSERVARE QUESTE ISTRUZIONI.

### ⚠ AVVERTIMENTO:

NON lasciare che comodità o la familiarità d'utilizzo con il prodotto (acquisita con l'uso ripetuto) sostituisca la stretta osservanza delle norme di sicurezza. L'utilizzo SBAGLIATO o la mancata osservanza delle norme di sicurezza di questo manuale di istruzioni potrebbero causare lesioni serie.

ENC007-11

## ISTRUZIONI IMPORTANTI PER LA SICUREZZA

### PER LA BATTERIA

1. Prima di utilizzare la batteria, leggere tutte le istruzioni e gli avvisi di sicurezza relativi a (1) caricabatteria, (2) batteria e (3) prodotto utilizzato con la batteria.
2. Non smontare la batteria.
3. Se il tempo di funzionamento è diventato eccessivamente breve, non utilizzare l'utensile. Potrebbero verificarsi surriscaldamenti, ustioni o esplosioni.
4. In caso di contatto dell'elettrolita della batteria con gli occhi, sciacquare con acqua fresca e rivolgersi immediatamente a un medico. Potrebbero verificarsi danni permanenti alla funzionalità visiva.
5. Non cortocircuitare la batteria:
  - (1) Non toccare i terminali della batteria con materiale in grado di condurre elettricità.
  - (2) Evitare di riporre le batterie a contatto con oggetti metallici quali chiodi, monete e così via.
  - (3) Non esporre le batterie all'acqua o alla pioggia.

Un cortocircuito può provocare un elevato flusso di corrente, surriscaldamento, ustioni o rotture.
6. Non conservare l'utensile e la batteria a una temperatura superiore a 50°C.
7. Evitare di smaltire le batterie danneggiate o esaurite bruciandole. Se esposte al fuoco, le batterie possono esplodere.

8. Evitare di far cadere o di colpire la batteria.
9. Non usare una batteria danneggiata.
10. Le batterie a ioni di litio contenute sono soggette ai requisiti della legislazione sulle merci pericolose (Dangerous Goods Legislation). Per i trasporti commerciali, ad es. da parte di terzi e spedizionieri, è necessario osservare i requisiti speciali sull'imballaggio e sulle etichette. Per la preparazione dell'articolo da spedire è richiesta la consulenza di un esperto sui materiali pericolosi. Osservare anche le normative nazionali, che potrebbero essere più dettagliate. Coprire con del nastro adesivo o con una maschera i contatti aperti e imballare la batteria in modo che non possa spostarsi liberamente all'interno dell'imballaggio.
11. Seguire le norme locali relative al modo di disfarsi della batteria.

## CONSERVARE QUESTE ISTRUZIONI.

⚠ ATTENZIONE: Usare soltanto batterie Makita genuine.

L'utilizzo di batterie Makita non genuine, o di batterie che sono state modificate, potrebbe causare lo scoppio delle batterie con conseguenti incendi, incidenti e danni. Ciò rende anche invalida la garanzia per l'utensile e il caricatore Makita.

### Suggerimenti il prolungamento della durata della batteria

1. Caricare le batterie prima di scaricarle completamente. Se si nota una diminuzione di potenza dell'utensile, interrompere il lavoro e ricaricare la batteria.
2. Non ricaricare una batteria già completamente carica. In caso contrario, la durata operativa della batteria potrebbe ridursi.
3. Caricare la batteria in ambienti con una temperatura compresa tra 10°C e 40°C. Prima di caricare una batteria surriscaldata, lasciarla raffreddare.
4. Caricare la cartuccia batteria se non si intende usarla per un lungo periodo di tempo (più di sei mesi).

## DESCRIZIONE FUNZIONALE

### ⚠ ATTENZIONE:

- Prima di regolare o controllare le funzioni dell'utensile, verificare sempre di averlo spento e di aver rimosso la batteria.

### Installazione o rimozione della batteria (Fig. 1)

#### ⚠ ATTENZIONE:

- Spegnerne sempre l'utensile prima di installare o di rimuovere la batteria.
- Tenere saldamente l'utensile e la batteria quando si installa o si rimuove la batteria. Se non si tengono saldamente l'utensile e la cartuccia batteria, potrebbero sfuggire di mano danneggiandosi e causare un incidente.

Per rimuovere la batteria, toglierla dall'utensile spingendo allo stesso tempo il bottone sulla parte anteriore della batteria.

Per installare la batteria, allineare l'appendice della batteria sulla scanalatura dell'alloggiamento e spingerla in posizione. Inserirla completamente finché si blocca in posizione con uno piccolo scatto. Se si vede l'indicatore rosso sul lato superiore del bottone, vuol dire che la batteria non è bloccata completamente.

#### ⚠ ATTENZIONE:

- Installare sempre completamente la batteria finché l'indicatore rosso non è più visibile. In caso contrario, potrebbe cadere accidentalmente fuori dall'utensile causando un incidente all'operatore o a chi gli è vicino.
- Non installare forzatamente la batteria. Se la batteria non scivola dentro facilmente, vuol dire che non viene inserita correttamente.

#### Sistema di protezione della batteria (Fig. 2)

L'utensile è dotato di un sistema di protezione della batteria. Questo sistema interrompe automaticamente la corrente al motore per estendere la vita della batteria.

L'utensile si arresta automaticamente mentre sta funzionando se esso e/o la batteria vengono a trovarsi in una delle condizioni seguenti:

##### • Sovraccarico:

L'utensile viene usato in un modo che causa un suo assorbimento anormalmente alto di corrente.

In tal caso, spegnere l'utensile e arrestare l'applicazione che ha causato il sovraccarico dell'utensile. Riaccendere poi l'utensile per riavviarlo.

Se l'utensile non si riavvia, vuol dire che è sovraccarica la batteria. In tal caso, lasciar raffreddare la batteria prima di riaccendere l'utensile.

##### • Bassa tensione della batteria:

La capacità restante della batteria è troppo bassa e l'utensile non funziona. In tal caso, rimuovere e ricaricare la batteria.

#### NOTA:

- La protezione del sovraccarico si attiva soltanto con una cartuccia batteria che ha il marchio di una stella.

#### Indicazione della capacità restante della batteria (Fig. 3)

(Soltanto per le cartucce batteria con "B" alla fine del numero del modello.)

Premere il bottone di controllo sulla cartuccia batteria per visualizzare la capacità restante della batteria. Le spie si accendono per pochi secondi.

Spie			Capacità restante
Accesa	Spenta	Lampeggiante	
■	□	◻	
■ ■ ■ ■			dal 75% al 100%
■ ■ ■ □			dal 50% al 75%
■ ■ □ □			dal 25% al 50%
■ □ □ □			dal 0% al 25%
◻ □ □ □			Caricare la batteria.
■ ■ □ □	↑ ↓	■ ■	Si potrebbe essere verificato un malfunzionamento della batteria.

015658

#### NOTA:

- A seconda delle condizioni d'utilizzo e della temperatura ambiente, l'indicazione potrebbe differire leggermente dalla capacità reale.

#### Azionamento dell'interruttore (Fig. 4)

##### ⚠ ATTENZIONE:

- Prima di inserire la batteria nell'utensile, controllare se l'interruttore scorrevole funziona correttamente e ritorna alla posizione "OFF" quando viene premuta la parte posteriore dell'interruttore.
- L'interruttore può essere posizionato su "ON" per la comodità d'uso dell'operatore durante l'utilizzo prolungato. Fare attenzione quando si blocca l'interruttore sulla posizione "ON", e tenere saldamente l'utensile.

Per avviare l'utensile, portare l'interruttore scorrevole in posizione "I (ON)". Per il funzionamento continuo, premere la parte anteriore dell'interruttore scorrevole per bloccarne la posizione.

Per fermare l'utensile, premere la parte posteriore dell'interruttore scorrevole, quindi portarlo nella posizione "O (OFF)".

#### Spia luminosa multifunzione (Fig. 5)

Le spie luminose sono presenti in due posizioni.

Quando la batteria è inserita nell'utensile e l'interruttore scorrevole si trova nella posizione "O (OFF)", la spia luminosa lampeggia rapidamente per circa un secondo.

Se non lampeggia, significa che la batteria o la spia luminosa presenta un malfunzionamento.

##### – Protezione dal sovraccarico

- Se l'utensile è sovraccaricato, si accende la spia luminosa. La spia si spegne quando il carico sull'utensile viene ridotto.



- Se l'utensile continua ad essere sovraccaricato e la spia luminosa rimane accesa per circa due secondi, l'utensile si ferma per impedire danni al motore e ai componenti collegati.
  - In questo caso, per riprendere l'utilizzo dell'utensile, spostare l'interruttore scorrevole prima nella posizione "O (OFF)", quindi nella posizione "I (ON)".
- **Segnale di sostituzione della batteria**
- Quando la capacità rimanente della batteria è limitata, la spia luminosa si accende durante il funzionamento quando è ancora disponibile una carica della batteria sufficiente.
- **Funzione di prevenzione del riavvio accidentale**
- Anche se la batteria è inserita nell'utensile con l'interruttore scorrevole nella posizione "I (ON)", l'utensile non si accende. In questo caso, la spia lampeggia lentamente per indicare che è in uso la funzione di prevenzione del riavvio accidentale.
  - Per accendere l'utensile, portare l'interruttore scorrevole prima nella posizione "O (OFF)", quindi nella posizione "I (ON)".

## MONTAGGIO

### ATTENZIONE:

- Prima di eseguire qualsiasi operazione sull'utensile, verificare sempre di averlo spento e di aver rimosso la batteria.

### Installazione e rimozione della punta disco

#### (Fig. 6 e 7)

Allentare il dado della bussola di chiusura e inserire la punta disco nel dado. Usare una chiave per mantenere fermo il mandrino e l'altra per stringere saldamente il dado della bussola di chiusura.

La punta disco non deve essere montata a più di 10 mm dal dado della bussola di chiusura. Il superamento di questa distanza potrebbe causare vibrazioni o la rottura dell'albero.

Per rimuovere la punta disco, usare la procedura opposta di installazione.

### ATTENZIONE:

- Usare un cono della bussola di chiusura delle dimensioni corrette per la punta disco che si intende usare.

## FUNZIONAMENTO (Fig. 8)

Accendere l'utensile senza che la punta disco faccia contatto con il pezzo, e aspettare finché non ha raggiunto la velocità massima. Far contattare poi delicatamente la punta disco con il pezzo. Per ottenere una buona rifinitura, spostare lentamente l'utensile verso sinistra.

### ATTENZIONE:

- Esercitare una leggera pressione sull'utensile. Una pressione eccessiva produce soltanto una rifinitura scarsa e sovraccarica il motore.

## MANUTENZIONE

### ATTENZIONE:

- Prima di effettuare controlli o operazioni di manutenzione, verificare sempre di aver spento l'utensile e di aver rimosso la batteria.
- Mai usare benzina, benzene, solventi, alcol e altre sostanze simili. Potrebbero causare scolorimenti, deformazioni o crepe.

## Sostituzione delle spazzole di carbone

Rimuovere e controllare periodicamente le spazzole di carbone. Sostituire le spazzole quando sono consumate fino all'indicatore di limite. Mantenere le spazzole di carbone pulite e libere di scorrere nei supporti. Entrambe le spazzole di carbone devono essere sostituite contemporaneamente. Utilizzare solo spazzole di carbone dello stesso tipo. (Fig. 9)

Inserire l'estremità superiore della punta del cacciavite nella tacca sull'utensile, quindi rimuovere il coperchio del supporto mediante sollevamento. (Fig. 10)

Rimuovere i coperchi dei portaspazzola con un cacciavite. Estrarre le spazzole di carbone consumate, inserire le nuove spazzole e fissare i coperchi dei portaspazzola. (Fig. 11)

Rimontare il coperchio del supporto sull'utensile. Per mantenere la SICUREZZA e l'AFFIDABILITÀ del prodotto, le riparazioni e qualsiasi altra operazione di manutenzione o regolazione devono essere eseguite dai centri di assistenza autorizzati Makita utilizzando sempre parti di ricambio Makita.

## ACCESSORI OPZIONALI

### ATTENZIONE:

- L'utensile Makita descritto in questo manuale può essere utilizzato con questi accessori. L'uso di qualsiasi altro accessorio potrebbe provocare lesioni personali. Utilizzare gli accessori esclusivamente per l'uso dichiarato.

Per l'assistenza e ulteriori informazioni su tali accessori, rivolgersi al centro di assistenza locale Makita.

### Manico laterale (accessorio) (Fig. 12, 13, 14 e 15)

Per usare il manico laterale, rimuovere la protezione di gomma, inserire il manico laterale nel cilindro dell'utensile finché non può andare oltre e girarlo sull'angolo desiderato. Stringere poi saldamente il manico girandolo in senso orario.

### ATTENZIONE:

- Quando si usa l'utensile senza il manico, installare sempre la protezione di gomma sull'utensile.
- Per installare la protezione di gomma, spingerla sempre nell'utensile in modo che la forma incavata rotonda superiore della gomma sia posizionata vicina alla posizione dell'interruttore.

- Punta disco
- Bussola di chiusura (3 mm, 6 mm, 8 mm, 1/4", 1/8")
- Dado bussola di chiusura
- Chiave 13
- Gruppo manico laterale
- Batteria e caricatore genuini Makita

### NOTA:

- Alcuni articoli nella lista potrebbero essere inclusi nell'imballo dell'utensile come accessori standard. Essi potrebbero differire da Paese a Paese.

ENG905-1

### Rumore

Il tipico livello di rumore pesato A determinato secondo EN60745:

Livello pressione sonora ( $L_{pA}$ ): 72 dB (A)

Incertezza (K): 3 dB (A)

Il livello del rumore durante il lavoro potrebbe superare gli 80 dB (A).

### Indossare i paraorecchi

## Vibrazione

Il valore totale di vibrazione (somma vettore triassiale) determinato secondo EN60745:

### Modello DGD800

Modalità operativa: smerigliatura superficie

Emissione di vibrazione ( $a_{h,SG}$ ):  $6,5 \text{ m/s}^2$

Incertezza (K):  $1,5 \text{ m/s}^2$

### Modello DGD801

Modalità operativa: smerigliatura superficie

Emissione di vibrazione ( $a_{h,SG}$ ):  $2,5 \text{ m/s}^2$  o meno

Incertezza (K):  $1,5 \text{ m/s}^2$

ENG901-1

- Il valore di emissione delle vibrazioni dichiarato è stato misurato conformemente al metodo di test standard, e può essere usato per paragonare un utensile con un altro.
- Il valore di emissione delle vibrazioni dichiarato può anche essere usato per una valutazione preliminare dell'esposizione.

### AVVERTIMENTO:

- L'emissione delle vibrazioni durante l'uso reale dell'utensile elettrico può differire dal valore di emissione dichiarato a seconda dei modi in cui viene usato l'utensile.
- Identificare le misure di sicurezza per la protezione dell'operatore basate sulla stima dell'esposizione nelle condizioni reali d'utilizzo (tenendo presente tutte le parti del ciclo operativo, come le volte in cui l'utensile viene spento e quando gira a vuoto, oltre al tempo di funzionamento).

## DICHIARAZIONE DI CONFORMITÀ CE

### Solo per i paesi europei

La dichiarazione di conformità CE è inclusa nell'Allegato A al presente manuale di istruzioni.

**Verklaring van algemene gegevens**

1 Knop	7 Schuifknop	13 Slijtgrensmarkering
2 Rode indicator	8 Bedrijfslampje	14 Houderafdekking
3 Accu	9 Sleutel 13	15 Schroevendraaier
4 Stermarkering	10 Opzetdeel	16 Koolborsteldop
5 Spanningslampjes	11 Spantangbout	
6 Controletoets	12 Sleutel 13	

**TECHNISCHE GEGEVENS**

Model	DGD800	DGD801
Capaciteit van spankop .....	6 mm of 6,35 mm (1/4")	6 mm of 6,35 mm (1/4")
Max. diameter slijpsteen .....	36 mm	36 mm
Max. lengte inzetspil (as) .....	46 mm	46 mm
Toerental onbelast (n <sub>0</sub> ) / Nominaal toerental (n) .....	26 000 (min <sup>-1</sup> )	26 000 (min <sup>-1</sup> )
Totale lengte .....	402 mm	307 mm
Netto gewicht .....	2,0 kg	1,7 kg
Nominale spanning .....	18 V gelijkstroom	18 V gelijkstroom

- In verband met ononderbroken research en ontwikkeling behouden wij ons het recht voor bovenstaande technische gegevens te wijzigen zonder voorafgaande kennisgeving.
- De technische gegevens de accu kunnen van land tot land verschillen.
- Gewicht, inclusief accu, volgens de EPTA-procedure 01/2003

ENE050-1

**Doeleinden van gebruik**

Het gereedschap is bedoeld voor het schuren van ferrometalen en het afbramen van gegoten metaaldelen.

GEA010-1

**Algemene veiligheidsaanschuivingen voor elektrisch gereedschap**

**⚠ WAARSCHUWING!** Lees alle veiligheidsaanschuivingen en alle instructies. Het niet volgen van de waarschuivingen en instructies kan leiden tot elektrische schokken, brand en/of ernstig letsel.

**Bewaar alle waarschuivingen en instructies om in de toekomst te kunnen raadplegen.**

GEB124-2

**VEILIGHEIDSWAARSCHUIVINGEN SPECIFIEK VOOR ACCUSTEMPELSLIJPMACHINE**

**Gemeenschappelijke veiligheidsaanschuivingen voor slijpwerkzaamheden:**

1. Dit elektrisch gereedschap is bedoeld voor gebruik als slijpgereedschap. Lees alle veiligheidsaanschuivingen, instructies, afbeeldingen en technische gegevens die bij dit elektrisch gereedschap worden geleverd. Als u nalaat alle onderstaande instructies te volgen, kan dit leiden tot een elektrische schok, brand en/of ernstig letsel.
2. Wij adviseren u werkzaamheden zoals schuren, draadborstelen, polijsten of doorslijpen niet uit te voeren met dit elektrisch gereedschap. Werkzaamheden waarvoor dit elektrisch gereedschap niet is bedoeld kunnen gevaarlijke situaties opleveren en tot persoonlijk letsel leiden.

3. **Gebruik geen accessoires die niet specifiek zijn ontworpen en aanbevolen door de fabrikant van het gereedschap.** Ook wanneer het accessoire kan worden bevestigd op uw elektrisch gereedschap, is een veilige werking niet gegarandeerd.
4. **Het nominaal toerental van de slijpaccessoires moet minstens gelijk zijn aan het maximumtoerental vermeld op het elektrisch gereedschap.** Slijpaccessoires die met een hoger toerental draaien dan hun nominaal toerental kunnen stuk breken en in het rond vliegen.
5. **De buitendiameter en de dikte van het accessoire moet binnen het capaciteitsbereik van het elektrisch gereedschap vallen.** Accessoires met verkeerde afmetingen kunnen niet afdoende worden afgeschermd of beheerst.
6. **De asdiameter van accessoires moet goed passen in de klembus van het elektrisch gereedschap.** Accessoires met een asdiameter die niet past binnen de montagedelen van het elektrisch gereedschap zullen niet in evenwicht draaien, buitensporig trillen en kunnen leiden tot verlies van controle over het gereedschap.
7. **Accessoires met een inzetspil moeten volledig in de klembus of spantang worden gestoken.** Als de inzetspil niet stevig genoeg wordt vastgehouden en/of het slijpwielt te ver uitsteekt, kan het accessoire losraken en met hoge snelheid worden weggeslingerd.
8. **Gebruik nooit een beschadigd accessoire.** Inspecteer het accessoire vóór ieder gebruik, bijvoorbeeld een slijpschijf op ontbrekende schijfers en barsten. Nadat het elektrisch gereedschap is gevallen, inspecteert u het op schade of monteert u een onbeschadigd accessoire. Na inspectie en montage van een accessoire, zorgt u ervoor dat u en omstanders niet in het rotatievlak van het accessoire staan, en laat u het elektrisch gereedschap draaien op het maximaal nullasttoerental gedurende één minuut. Beschadigde accessoires breken normaal gesproken in stukken gedurende deze testduur.

9. **Gebruik persoonlijke-veiligheidsmiddelen.** Afhankelijk van de toepassing gebruikt u een spatscherm, een beschermende bril of een veiligheidsbril. Al naar gelang van toepassing draagt u een stofmasker, gehoorbeschermers, handschoenen en een werkschort die in staat zijn kleine stukjes slijpsel of werkstukfragmenten te weerstaan. De oogbescherming moet in staat zijn rondvliegend afval te stoppen dat ontstaat bij de diverse werkzaamheden. Het stofmasker of ademhalingsapparaat moet in staat zijn deeltjes te filteren die ontstaat bij de werkzaamheden. Langdurige blootstelling aan zeer intens geluid kan leiden tot gehoorbeschadiging.
  10. **Houd omstanders op veilige afstand van het werkgebied.** Iedereen die zich binnen het werkgebied begeeft, moet persoonlijke-veiligheidsmiddelen gebruiken. Fragmenten van het werkstuk of van een uiteengevallen accessoire kunnen rondvliegen en letsel veroorzaken buiten de onmiddellijke werkomgeving.
  11. **Houd het elektrisch gereedschap alleen vast aan het geïsoleerde oppervlak van de handgrepen, wanneer u werkt op plaatsen waar het zaag-/slijpgereedschap met verborgen bedrading in aanraking kan komen.** Zaag-/slijpaccessoires die in aanraking komen met stroomvoerende draden kunnen blootliggende metalen delen van het elektrisch gereedschap onder spanning zetten en de gebruiker een elektrische schok geven.
  12. **Houd het gereedschap altijd stevig in de hand(en) tijdens het opstarten.** Het reactiekoppel van de motor bij het op volle toeren komen zou het gereedschap uit uw handen kunnen wringen.
  13. **Gebruik zo mogelijk altijd een bankschroef of klemmen om uw werkstuk vast te zetten. Houd een klein werkstuk tijdens het werk nooit in één hand met het gereedschap in de andere hand.** Als u een klein werkstuk vastklemt houdt u de handen vrij om het gereedschap te bedienen. Ronde werkstukken zoals paspenen, pijpen of buizen hebben de neiging tijdens het doorsnijden weg te rollen, waarbij het slijpwieltje vast kan raken of naar u toe kan springen.
  14. **Leg het elektrisch gereedschap nooit neer voordat het accessoire volledig tot stilstand is gekomen.** Het ronddraaiende accessoire kan de ondergrond pakken zodat u de controle over het elektrisch gereedschap verliest.
  15. **Na het verwisselen van het slijpwieltje of het maken van afstellingen dient u te zorgen dat de klembusmoer, spantang of andere montagegedelen weer stevig vast zitten.** Loszittende montagegedelen kunnen onverwachts verschuiven, waardoor u de controle over het gereedschap kunt verliezen en er losgeraakte onderdelen kunnen worden weggeslingerd.
  16. **Laat het elektrisch gereedschap niet draaien terwijl u het naast u draagt.** Als het ronddraaiende accessoire u per ongeluk raakt, kan het verstrikt raken in uw kleding waardoor het accessoire in uw lichaam wordt getrokken.
  17. **Maak de ventilatieopeningen van het gereedschap regelmatig schoon.** De ventilator van de motor zal het stof de behuizing in trekken, en een grote opeenhoping van metaalslijpsel kan leiden tot elektrisch gevaarlijke situaties.
  18. **Gebruik het elektrisch gereedschap niet in de buurt van brandbare materialen.** Vonken kunnen deze materialen doen ontvlammen.
  19. **Gebruik geen accessoires die met vloeistof moeten worden gekoeld.** Het gebruik van water of andere vloeibare koelmiddelen kan leiden tot elektrocutie of elektrische schokken.
- Terugslag en aanverwante waarschuwingen**
- Terugslag is een plotselinge heftige reactie op een bekneld of vastgelopen draaiend accessoire. Het knel raken of vastlopen veroorzaakt een snelle stilstand van het draaiende accessoire, wat op zijn beurt ertoe leidt dat het elektrisch gereedschap zich ongecontroleerd beweegt in de richting tegengesteld aan de draairichting van het accessoire.
- Bijvoorbeeld, als een slijpschijf bekneld raakt of vastloopt in het werkstuk, kan de rand van de schijf die het beknellingspunt ingaat, zich invreten in het oppervlak van het materiaal waardoor de schijf eruit klimt of eruit slaat. De schijf kan daarbij naar de gebruiker toe of weg springen, afhankelijk van de draairichting van de schijf op het beknellingspunt. Slijpschijven kunnen in dergelijke situaties ook breken.
- Terugslag is het gevolg van misbruik van het elektrisch gereedschap en/of onjuiste gebruiksprocedures of -omstandigheden, en kan worden voorkomen door goede voorzorgsmaatregelen te treffen, zoals hieronder vermeld:
- a) **Houd het gereedschap stevig vast en houd uw armen en lichaam zodanig dat u in staat bent een terugslag op te vangen.** De gebruiker kan een terugslag of de koppelreactiekrachten opvangen indien de juiste voorzorgsmaatregelen worden getroffen.
  - b) **Wees bijzonder voorzichtig bij het werken met hoeken, scherpe randen, enz. Voorkom dat het accessoire springt of bekneld raakt.** Hoeken, scherpe randen of springen veroorzaken vaak beknellen van het draaiende accessoire wat leidt tot terugslag of verlies van controle over het gereedschap.
  - c) **Bevestig nooit een zaagblad met vertanding.** Dergelijke bladen leiden vaak tot terugslag of verlies van controle over het gereedschap.
  - d) **Beweeg altijd het slijpwieltje in het materiaal in dezelfde richting als de snijrand uit het materiaal tevoorschijn komt (dus dezelfde richting als waarin spaanders en slijpsel wegspringen).** Als u het gereedschap in de verkeerde richting beweegt, kan de snijrand uit het materiaal omhoog klimmen en het gereedschap verder in die toevoerrichting trekken.
- Veiligheidsaankomsten specifiek voor slijpwerkzaamheden:**
- a) **Gebruik alleen de slijpwielen die voor uw gereedschap zijn aanbevolen en dan alleen voor de aanbevolen toepassingen.**
- Aanvullende veiligheidsaankomsten:**
20. **Het gereedschap is bestemd voor gebruik met gelijmde gruislijpwielen (slijpstenen) die vast zijn gemonteerd op een gladde inzetpijl (as) zonder schroefdraad.**
  21. **Zorg ervoor dat de schijf niet in aanraking is met het werkstuk voordat u het gereedschap hebt ingeschakeld.**

22. Laat het gereedschap een tijdje draaien voordat u het op het werkstuk gebruikt. Controleer op trillingen of schommelingen die op onjuiste montage of een slecht uitgebalanceerde schijf kunnen wijzen.
  23. Gebruik de aangegeven kant van de schijf om mee te slijpen.
  24. Wees alert op rondvliegende vonken. Houd het gereedschap zodanig vast dat de vonken wegvliegen van u en andere personen of brandbare materialen.
  25. Laat het gereedschap niet ingeschakeld liggen. Bedien het gereedschap alleen wanneer u het vasthoudt.
  26. Raak de schijf niet onmiddellijk na gebruik aan. Deze kan bijzonder heet zijn en brandwonden op uw huid veroorzaken.
  27. Raak accessoires niet onmiddellijk na bewerking aan. Deze kunnen bijzonder heet zijn en brandwonden op uw huid veroorzaken.
  28. Houd u aan de instructies van de fabrikant voor juiste montage en gebruik van de schijven. Behandel en bewaar de schijven zorgvuldig.
  29. Controleer of het werkstuk goed wordt ondersteund.
  30. Als de werkrimte bijzonder heet en vochtig is, of sterk vervuild is met geleidend stof, gebruik dan een kortsluitonderbreker (30 mA) om de veiligheid van de gebruiker te garanderen.
  31. Gebruik het gereedschap niet op materiaal dat asbest bevat.
  32. Zorg er altijd voor dat u stevig staat. Zorg ervoor dat er niemand zich onder u bevindt wanneer u het gereedschap op een hoge plaats gebruikt.
- (2) Bewaar de accu niet op een plaats waar deze in aanraking kan komen met andere metalen voorwerpen, zoals spijkers, munten, enz.
  - (3) Stel de accu niet bloot aan water of regen. Kortsluiting van de accu kan leiden tot een hoge stroomsterkte, oververhitting, mogelijke brandwonden en zelfs een defect.
6. Berg het gereedschap en de accu niet op plaatsen op waar de temperatuur kan oplopen tot 50°C of hoger.
  7. Werp de accu niet in een vuur, zelfs niet als deze al ernstig beschadigd of helemaal versleten is. De accu kan in een vuur exploderen.
  8. Wees voorzichtig dat u de accu niet laat vallen of ergens tegenaan stoot.
  9. Gebruik nooit een beschadigde accu.
  10. De inbegrepen lithium-ionenaccu's vallen onder de wetgeving op gevaarlijke voorwerpen. Bij commercieel vervoer door derden, zoals transportbedrijven, moeten de speciale voorschriften voor de verpakking en de inhoudsomschrijving worden nageleefd. Ter voorbereiding voor de verscheping van het product moet het advies van een expert in de omgang met gevaarlijke materialen worden gevolgd. Neem vooral ook de mogelijk meer gedetailleerde nationale voorschriften in acht. Bedek open contactpunten met folie of isolatieband en verpak de accu zodanig dat die niet vrij kan bewegen in de verpakking.
  11. **Volg bij het wegwerpen van de accu de plaatselijk geldende voorschriften.**

## BEWAAR DEZE VOORSCHRIFTEN.

**⚠ LET OP:** Gebruik alleen originele Makita accu's. Het gebruik van andere dan originele Makita accu's, of accu's die op enige wijze zijn aangepast, kan resulteren in het openbarsten van de accu, met gevaar voor brand, lichamelijk letsel en schade. Bovendien zal dit de Makita garantie voor het Makita gereedschap en de oplader ongeldig maken.

### Tips voor een lange levensduur van de accu

1. Laad de accu op voordat deze volledig leeg is. Wanneer u merkt dat het gereedschap minder vermogen heeft, stopt u met het gebruik ervan en laadt u eerst de accu op.
2. Laad nooit een volledig opgeladen accu op. Te lang opladen verkort de levensduur van de accu.
3. Laad de accu op bij een omgevingstemperatuur van 10°C t/m 40°C. Laat een warme accu eerst afkoelen voordat u deze oplaadt.
4. Laad de accu op als u die voorlopig niet meer gebruikt (langer dan zes maanden).

## BESCHRIJVING VAN DE FUNCTIES

### ⚠ LET OP:

- Controleer altijd of het gereedschap is uitgeschakeld en de accu is verwijderd alvorens de functies van het gereedschap te controleren of af te stellen.

### De accu aanbrengen en verwijderen (Fig. 1)

### ⚠ LET OP:

- Schakel altijd het gereedschap uit voordat u de accu aanbrengt of verwijdert.

## BEWAAR DEZE VOORSCHRIFTEN.

### ⚠ WAARSCHUWING:

Laat u NIET misleiden door een vals gevoel van comfort en bekendheid met het gereedschap (na veelvuldig gebruik) en neem alle veiligheidsvoorschriften van het betreffende gereedschap altijd strikt in acht. VERKEERD GEBRUIK of het niet naleven van de veiligheidsvoorschriften in deze gebruiksaanwijzing kan leiden tot ernstige verwondingen.

ENC007-11

## BELANGRIJKE VEILIGHEIDSLINSTRUCTIES

### VOOR ACCU'S

1. Alvorens de accu in gebruik te nemen, leest u eerst alle instructies en waarschuwingsofschriften op (1) de acculader, (2) de accu en (3) het apparaat waarin de accu wordt aangebracht.
2. Haal de accu niet uit elkaar.
3. Als de gebruikstijd aanzienlijk korter is geworden, stopt u onmiddellijk met het gebruik. Anders kan dit leiden tot kans op oververhitting, mogelijke brandwonden en zelfs een explosie.
4. Als de elektrolyt in uw ogen komt, wast u deze uit met schoon water en raadpleegt u onmiddellijk een arts. Dit kan leiden tot verlies van gezichtsvermogen.
5. Sluit de accu niet kort:
  - (1) Raak de accupolen niet aan met enig geleidend materiaal.

- **Houd het gereedschap en de accu stevig vast wanneer u de accu aanbrengt of verwijderd.** Als u het gereedschap en de accu niet stevig vasthoudt, zou er iets uit uw handen kunnen glippen, met gevaar voor schade aan het gereedschap of de accu en eventuele verwonding.

Om de accu te verwijderen, schuift u deze uit het gereedschap los terwijl u de knop voorop de accu ingedrukt houdt.

Voor het aanbrengen van de accu plaatst u de tong van de accu in de groef van de behuizing en schuift u de accu op zijn plaats. Schuif de accu er altijd volledig in totdat die op zijn plaats vast klikt. Wanneer de rode indicator op de bovenkant van de knop nog zichtbaar is, zit de accu niet volledig erin.

#### ⚠ LET OP:

- Schuif de accu volledig erin totdat de rode indicator niet meer zichtbaar is. Als u dit nalaat, zou de accu uit het gereedschap kunnen vallen en uzelf of anderen kunnen verwonden.
- Druk de accu er niet met kracht in. Als de accu er niet soepel in gaat, houdt u die waarschijnlijk in de verkeerde stand.

#### Accubeveiligingssysteem (Fig. 2)

Het gereedschap is voorzien van een accubeveiligingssysteem. Dit systeem kan automatisch de stroomtoevoer naar de motor afsluiten om de levensduur van de accu te verlengen.

Het gereedschap kan tijdens gebruik automatisch stoppen wanneer het gereedschap en/of de accu aan één van de volgende omstandigheden wordt blootgesteld:

- **Overbelasting:**  
Als het gereedschap wordt gebruikt op een manier die een abnormaal hoge stroomsterkte vergt.  
In dat geval schakelt u het gereedschap uit en verhelpt u de oorzaak van de overbelasting. Dan schakelt u het gereedschap weer in om het te herstarten.  
Als het gereedschap niet start, kan de accu oververhit zijn. In dat geval laat u de accu afkoelen voordat u het gereedschap opnieuw inschakelt.
- **Onvoldoende accuspanning:**  
Als de resterende accuspanning onvoldoende is, zal het gereedschap niet starten. In dat geval verwijderd u de accu en laadt u die opnieuw op.

#### OPMERKING:

- De beveiliging tegen oververhitting werkt alleen bij accu's met een stermarkering.

#### Aangeven van de resterende accuspanning (Fig. 3)

(Alleen voor accu's waarvan het modelnummer eindigt in een "B".)

Druk op de controletuets van de accu om de resterende accuspanning te zien. De spanningslampjes gaan enkele seconden lang branden.

Spanningslampjes			Resterende accuspanning
Verlicht	Gedoofd	Knipperend	
■	□	▧	
■ ■ ■ ■			75% tot 100%
■ ■ ■ □			50% tot 75%
■ ■ □ □			25% tot 50%
■ □ □ □			0% tot 25%
▧ □ □ □			Laad de accu op.
■ ■ □ □	↑ ↓	□ □ ■ ■	Wellicht is er iets mis met de accu.

015658

#### OPMERKING:

- Afhankelijk van de gebruiksomstandigheden en de omgevingstemperatuur kan de aanduiding wel eens ietwat afwijken van de werkelijk resterende accuspanning.

#### In- en uitschakelen (Fig. 4)

##### ⚠ LET OP:

- Controleer altijd, voordat u de accu in het gereedschap steekt, of de schuifknop op de juiste manier schakelt en weer terugkeert naar de "OFF"-stand, wanneer achter op de schuifknop wordt gedrukt.
- De aan/uit-schakelaar kan worden vergrendeld in de "ON"-stand ten behoeve van het gebruikersgemak bij langdurig gebruik. Wees voorzichtig wanneer het gereedschap in de "ON"-stand is vergrendeld en houd het gereedschap stevig vast.

Om het gereedschap in te schakelen, schuift u de schuifknop naar de stand "I (ON)". Om het gereedschap continu te laten werken, drukt u op de voorkant van de schuifknop om deze te vergrendelen.

Om het gereedschap uit te schakelen drukt u op de achterkant van de schuifknop en schuift u de knop naar de positie "O (OFF)".

#### Bedrijfslampje met meerdere functies (Fig. 5)

Er zijn twee bedrijfslampjes.

Wanneer u de accu in het gereedschap steekt terwijl de schuifknop in de positie "O (OFF)" staat, gaat het bedrijfslampje gedurende circa één seconde snel knippen. Als het niet knippert, is de accu of het bedrijfslampje defect.

#### – Overbelastingsbeveiliging

- Bij overbelasting van het gereedschap gaat het bedrijfslampje branden. Als het gereedschap minder sterk wordt belast, gaat het lampje uit.

- Als de overbelasting van het gereedschap aanhoudt en het bedrijfslampje circa twee seconden blijft branden, stopt het gereedschap. Dit voorkomt schade aan de motor en daaraan gerelateerde onderdelen.
  - Om in dit geval het gereedschap weer in te schakelen, schuift u de schuifknop eenmaal naar de positie “O (OFF)” en vervolgens naar de positie “I (ON)”.
- **Indicatielampje accu bijna leeg**
- Als de accu bijna leeg is, gaat het indicatielampje van de overbelastingsbeveiliging tijdens het gebruik eerder branden dan wanneer de accu nog voldoende capaciteit heeft.
- **Beveiliging tegen onopzettelijk herstarten**
- Zelfs als de accu in het gereedschap is gestoken terwijl de schuifknop op de positie “I (ON)” staat, start het gereedschap niet. Het lampje knippert nu langzaam, wat aangeeft dat de beveiliging tegen onopzettelijk herstarten actief is.
  - Om het gereedschap te starten schuift u de schuifknop eerst naar de positie “O (OFF)” en vervolgens naar de positie “I (ON)”.

## INEENZETTEN

### ⚠ LET OP:

- Controleer altijd of het gereedschap is uitgeschakeld en de accu is verwijderd alvorens enige werkzaamheden aan het gereedschap te verrichten.

### Installeren of verwijderen van de slijpsteen (Fig. 6 en 7)

Draai de spantangbout los en steek de slijpsteen in de spantangbout. Gebruik de ene steeksleutel om de as op zijn plaats te houden en de andere om de spankopmoer stevig aan te draaien.

De slijpsteen mag niet verder dan 10 mm van de spantangbout worden gemonteerd. Als u deze afstand overschrijdt, kan de slijpsteen trillen of de as breken.

Om de slijpsteen te verwijderen, voert u de procedure voor het installeren in de omgekeerde volgorde uit.

### ⚠ LET OP:

- Gebruik een spantangkegel van de maat die geschikt is voor de slijpsteen die u wilt gebruiken.

## BEDIENING (Fig. 8)

Schakel het gereedschap in zonder dat de slijpsteen het werkstuk raakt, en wacht totdat de slijpsteen op volle toeren draait. Zet dan de slijpsteen voorzichtig op het werkstuk. Om een goede afwerking te krijgen, moet u het gereedschap langzaam naar links bewegen.

### ⚠ LET OP:

- Oefen alleen lichte druk uit op het gereedschap. Overmatige druk op het gereedschap zal een slechte afwerking en overbelasting van de motor veroorzaken.

## ONDERHOUD

### ⚠ LET OP:

- Zorg er altijd voor dat de machine is uitgeschakeld en de accu is verwijderd, voordat u een inspectie of onderhoud uitvoert.
- Gebruik nooit benzine, wasbenzine, thinner, alcohol en dergelijke. Hierdoor het verkleuring, vervormingen en barsten worden veroorzaakt.

## De koolborstels vervangen

Verwijder en controleer de koolborstels regelmatig. Vervang deze wanneer ze tot aan de slijtgrensmarkering zijn afgesleten. Houd de koolborstels schoon en zorg ervoor dat ze vrij kunnen bewegen in de houders. Beide koolborstels dienen tegelijkertijd te worden vervangen. Gebruik alleen identieke koolborstels. (Fig. 9)

Steek een platkopschroevendraaier in de inkeping in het gereedschap en verwijder de houderafdekking door deze omhoog te wippen. (Fig. 10)

Gebruik een schroevendraaier om de koolborsteldoppen te verwijderen. Haal de versleten koolborstels eruit, plaats de nieuwe erin, en zet de koolborsteldoppen goed vast. (Fig. 11)

Plaats de houderafdekking terug op het gereedschap. Om de VEILIGHEID en BETROUWBAARHEID van het gereedschap te handhaven, dienen alle reparaties, onderhoud en afstellingen te worden uitgevoerd door een erkend Makita-servicecentrum, en altijd met gebruikmaking van originele Makita-vervangingsonderdelen.

## OPTIONELE ACCESSOIRES

### ⚠ LET OP:

- Deze accessoires of hulpstukken worden aanbevolen voor gebruik met het Makita-gereedschap dat in deze gebruiksaanwijzing wordt beschreven. Het gebruik van andere accessoires of hulpstukken kan gevaar voor persoonlijk letsel opleveren. Gebruik de accessoires of hulpstukken uitsluitend voor de aangegeven gebruiksdoeleinden.

Mocht u meer informatie willen hebben over deze accessoires, dan kunt u contact opnemen met uw plaatselijke Makita-servicecentrum.

### Zijhandgreep (accessoire) (Fig. 12, 13, 14 en 15)

Als u de zijhandgreep wilt gebruiken, verwijdert u eerst de rubberen beschermddop, steekt u daarna de punt van de zijhandgreep zo ver mogelijk in de schroefdraadopening van het gereedschap, en verdraait u vervolgens de zijhandgreep naar de gewenste bedieningshoek. Tenslotte draait u de zijhandgreep stevig vast door deze rechtsom te draaien.

### ⚠ LET OP:

- Als u het gereedschap zonder de zijhandgreep wilt gebruiken, plaatst u de rubberen beschermddop terug op het gereedschap.
- Bij het terugplaatsen van de rubberen beschermddop, duwt u deze zodanig op het gereedschap dat de ronde, verzonken vorm bovenaan het rubber zich naast de aan/uit-schakelaar bevindt.

- Slijpstenen
- Spankop (3 mm, 6 mm, 8 mm, 1/4", 1/8")
- Spankopmoer
- Sleutel 13
- Zijhandgreepset
- Originele Makita accu en acculader

### OPMERKING:

- Sommige onderdelen in deze lijst kunnen bij het gereedschap zijn meegeleverd als standaard-accessoires. Deze kunnen van land tot land verschillen.

**Geluidsniveau**

De typisch, A-gewogen geluidsniveaus vastgesteld volgens EN60745:

Geluidsdrukniveau ( $L_{pA}$ ): 72 dB (A)

Onnauwkeurigheid (K): 3 dB (A)

Het geluidsniveau kan tijdens gebruik hoger worden dan 80 dB (A).

**Draag oorbeschermers**

ENG900-1

**Trilling**

De totaalwaarde van de trillingen (triaxiale vectorsom) vastgesteld volgens EN60745:

**Model DGD800**

Toepassing: slijpen van oppervlakken

Trillingsemisssie ( $a_{h, SG}$ ): 6,5 m/s<sup>2</sup>

Onnauwkeurigheid (K): 1,5 m/s<sup>2</sup>

**Model DGD801**

Toepassing: slijpen van oppervlakken

Trillingsemisssie ( $a_{h, SG}$ ): 2,5 m/s<sup>2</sup> of minder

Onnauwkeurigheid (K): 1,5 m/s<sup>2</sup>

ENG901-1

- De opgegeven trillingsemisssiewaarde is gemeten volgens de standaardtestmethode en kan worden gebruikt om dit gereedschap te vergelijken met andere gereedschappen.
- De opgegeven trillingsemisssiewaarde kan ook worden gebruikt voor een beoordeling vooraf van de blootstelling.

**⚠ WAARSCHUWING:**

- De trillingsemisssie tijdens het gebruik van het elektrisch gereedschap in de praktijk kan verschillen van de opgegeven trillingsemisssiewaarde afhankelijk van de manier waarop het gereedschap wordt gebruikt.
- Zorg ervoor dat veiligheidsmaatregelen worden getroffen ter bescherming van de operator die zijn gebaseerd op een schatting van de blootstelling onder praktijkomstandigheden (rekening houdend met alle fasen van de bedrijfscyclus, zoals de tijdsduur gedurende welke het gereedschap is uitgeschakeld en stationair draait, naast de ingeschakelde tijdsduur).

**EG-VERKLARING VAN CONFORMITEIT****Alleen voor Europese landen**

De EG-verklaring van conformiteit is bijgevoegd als Bijlage A bij deze gebruiksaanwijzing.



**Explicación de los dibujos**

1 Botón	7 Interruptor deslizante	13 Marca de límite
2 Indicador rojo	8 Luz indicadora	14 Cubierta de la tapa del portaherramientas
3 Cartucho de la batería	9 Llave 13	15 Destornillador
4 Marca de estrella	10 Punta de muela	16 Tapa del portaescobillas
5 Lámparas indicadoras	11 Tuerca de pinza	
6 Botón de comprobación	12 Llave 13	

**EESPECIFICACIONES**

Modelo	DGD800	DGD801
Capacidad de la pinza .....	6 mm u 6,35 mm (1/4")	6 mm u 6,35 mm (1/4")
Diámetro máximo de la muela .....	36 mm	36 mm
Longitud máximo del mandril (espiga).....	46 mm	46 mm
Velocidad en vacío (n <sub>0</sub> ) / Velocidad especificada (n).....	26.000 (min <sup>-1</sup> )	26.000 (min <sup>-1</sup> )
Longitud total .....	402 mm	307 mm
Peso neto .....	2,0 kg	1,7 kg
Tensión nominal.....	CC de 18 V	CC de 18 V

- Debido a un programa continuo de investigación y desarrollo, las especificaciones aquí dadas están sujetas a cambios sin previo aviso.
- Las especificaciones y el cartucho de batería pueden diferir de país a país.
- Peso, con el cartucho de batería, de acuerdo con el procedimiento EPTA 01/2003

ENE050-1

**Uso previsto**

La herramienta ha sido prevista para amolar materiales ferrosos o desbarbar piezas fundidas.

GEA010-1

**Advertencias de seguridad generales para herramientas eléctricas**

**⚠️ ¡ADVERTENCIA! Lea todas las advertencias de seguridad y todas las instrucciones.** Si no sigue todas las advertencias e instrucciones podrá ocasionar una descarga eléctrica, un incendio y/o heridas graves.

**Guarde todas las advertencias e instrucciones para futuras referencias.**

GEB124-2

**ADVERTENCIAS DE SEGURIDAD PARA EL RECTIFICADOR INALÁMBRICO**

**Advertencias de seguridad comunes para la operación de amolar:**

1. **Esta herramienta eléctrica ha sido prevista para funcionar como amoladora. Lea todas las advertencias de seguridad, instrucciones, ilustraciones y especificaciones provistas con esta herramienta eléctrica.** Si no sigue todas las instrucciones indicadas a continuación, podrá ocasionar una descarga eléctrica, un incendio y/o heridas graves.
2. **Operaciones tales como lijado, cepillado con alambres, pulido o corte no se recomienda realizarlas con esta herramienta eléctrica.** Las operaciones para las que la herramienta eléctrica no ha sido diseñada podrán crear una situación de riesgo y ocasionar heridas personales.

3. **No utilice accesorios que no estén específicamente diseñados y recomendados por el fabricante de la herramienta.** Solamente porque el accesorio pueda ser instalado en su herramienta eléctrica, no quiere decir que su operación sea segura.
4. **La velocidad especificada de los accesorios de amolar deberá ser al menos igual que la velocidad máxima marcada en la herramienta eléctrica.** Si los accesorios de amolar se usan a velocidad más alta de la velocidad especificada pueden romperse y salir despedidos.
5. **El diámetro exterior y el espesor de su accesorio deberán estar dentro de la capacidad nominal de su herramienta eléctrica.** Los accesorios de tamaño incorrecto no se pueden controlar adecuadamente.
6. **El tamaño de la caña de los accesorios deberá encajar debidamente en el casquillo cónico de la herramienta eléctrica.** Los accesorios que no correspondan con el componente de montaje de la herramienta eléctrica se desequilibrarán, vibrarán excesivamente y podrán ocasionar la pérdida del control.
7. **Los accesorios montados en mandril deberán ser insertados a tope en el casquillo cónico o el mandril.** Si el mandril no está bien apretado y/o la caña de la punta de esmerilar es muy larga, el accesorio montado podrá aflojarse y ser lanzado a gran velocidad.
8. **No utilice un accesorio que esté dañado. Antes de cada uso, inspeccione los accesorios tales como las muelas abrasivas para ver si están astillados o agrietados. Si deja caer la herramienta eléctrica o el accesorio, inspecciónelo para ver si está dañado o instale un accesorio que no esté dañado.** Después de inspeccionar e instalar un accesorio, póngase usted y los curiosos alejados del plano del accesorio giratorio y haga funcionar la herramienta a velocidad máxima sin carga durante un minuto. Normalmente, los accesorios dañados se romperán durante este tiempo de prueba.

9. **Póngase equipo de protección personal. En función de la aplicación, utilice pantalla facial, gafas de protección o gafas de seguridad. Según corresponda, póngase mascarilla contra el polvo, protectores auditivos, guantes y delantal de taller que pueda detener los pequeños fragmentos abrasivos o de pieza de trabajo que salgan despedidos.** La protección de los ojos deberá ser capaz de detener los restos que salen volando generados en las diferentes operaciones. La mascarilla contra el polvo o respirador deberá ser capaz de filtrar las partículas generadas en su operación. La exposición prolongada a ruido de alta intensidad podrá ocasionar pérdida auditiva.
  10. **Mantenga a los curiosos a una distancia segura alejados del área de trabajo. Cualquier persona que entre en el área de trabajo deberá usar equipo de protección personal.** Los fragmentos de la pieza de trabajo o de un accesorio roto pueden salir volando y ocasionar heridas más allá del área de operación inmediata.
  11. **Cuando realice una operación en la que el implemento de corte pueda entrar en contacto con cableado oculto, sujete la herramienta eléctrica por las superficies de aislamiento solamente.** El contacto del accesorio de corte con un cable con corriente podrá hacer que la corriente circule por las partes metálicas expuestas de la herramienta eléctrica y soltar una descarga eléctrica al operario.
  12. **Sujete siempre la herramienta firmemente con la(s) mano(s) durante la puesta en marcha.** La reacción de torsión del motor, al acelerarse hasta plena velocidad, puede hacer que la herramienta se retuerza.
  13. **Utilice mordazas para sujetar la pieza de trabajo siempre que sea práctico. No sujete nunca una pieza de trabajo pequeña con una mano y la herramienta con la otra mano mientras utiliza la herramienta.** La sujeción con mordazas de una pieza de trabajo pequeña le permite utilizar la(s) mano(s) para manejar la herramienta. El material redondo como varillas de madera, tubos o tuberías tienden a rodar mientras están siendo cortados, y pueden hacer que el implemento se estanque o salte hacia usted.
  14. **No deje nunca la herramienta eléctrica hasta que el accesorio se haya detenido completamente.** El accesorio giratorio puede agarrarse en la superficie y tirar de la herramienta eléctrica dejándola fuera de control.
  15. **Después de cambiar los implementos o de hacer cualquier ajuste, asegúrese de que la tuerca del casquillo cónico, el mandril o cualquier otro dispositivo de ajuste esté firmemente apretado.** Los dispositivos de ajuste flojos pueden moverse inesperadamente y ocasionar la pérdida del control, y los componentes giratorios flojos serán lanzados violentamente.
  16. **No tenga la herramienta eléctrica encendida mientras la lleva en su costado.** Un contacto accidental con el accesorio giratorio podría enganchar sus ropas, y arrastrar el accesorio hacia su cuerpo.
  17. **Limpie regularmente los orificios de ventilación de la herramienta eléctrica.** El ventilador del motor atraerá el polvo al interior de la carcasa y una acumulación excesiva del polvo metálico puede ocasionar riesgos eléctricos.
  18. **No utilice la herramienta eléctrica cerca de materiales inflamables.** Las chispas pueden prender estos materiales.
  19. **No utilice accesorios que requieran líquidos refrigerantes.** La utilización de agua u otros líquidos refrigerantes puede resultar en electrocución o descarga eléctrica.
- Contragolpes y advertencias al respecto**
- El retroceso brusco es una reacción repentina debida a un aprisionamiento o estancamiento del accesorio giratorio. El aprisionamiento o estancamiento ocasiona un detenimiento rápido del accesorio giratorio que a su vez hace que la herramienta eléctrica descontrolada sea forzada en dirección opuesta al giro del accesorio.
- Por ejemplo, si la muela abrasiva queda aprisionada o estancada por la pieza de trabajo, el borde de la muela que está entrando en el punto de estancamiento puede hincarse en la superficie del material haciendo que la muela se salga de la hendidura o salte. La muela podrá saltar hacia el operario o en dirección contraria a él, dependiendo de la dirección del movimiento de la muela en el punto de estancamiento. Las muelas abrasivas también podrán romperse en estas condiciones.
- Los retrocesos bruscos se deben a un mal uso de la herramienta eléctrica y/o a procedimientos o condiciones de trabajo incorrectos y pueden evitarse tomando las precauciones indicadas a continuación.
- a) **Mantenga la herramienta eléctrica sujeta firmemente y posicione su cuerpo y brazo de forma que pueda resistir las fuerzas del retroceso brusco.** El operario puede controlar las fuerzas de retroceso brusco, si toma las precauciones apropiadas.
  - b) **Utilice especial cuidado cuando trabaje en esquinas, bordes cortantes, etc. Evite que el accesorio rebote o se enganche.** Las esquinas, bordes cortantes o los rebotes tienen la tendencia a enganchar el accesorio giratorio y ocasionar la pérdida de control o retroceso brusco.
  - c) **No instale un disco de sierra dentado.** Tales discos crean retrocesos bruscos y pérdida de control frecuentes.
  - d) **Desplace siempre el implemento contra el material en la misma dirección que el borde de corte sale del material (que es la misma dirección que salen lanzadas las virutas).** Si la herramienta es desplazada en la dirección incorrecta el borde de corte del implemento saltará fuera de la pieza de trabajo y tirará de la herramienta en la dirección que es desplazada.
- Advertencias de seguridad específicas para amolar:**
- a) **Utilice solamente tipos de discos que están recomendados para su herramienta eléctrica y únicamente para las aplicaciones recomendadas.**

#### Advertencias de seguridad adicionales:

20. La herramienta ha sido prevista para ser utilizada con puntas de esmerilar abrasivas aglomeradas (piedras de esmerilar) montadas permanentemente en mandril (espiga) liso y sin rosca.
21. Asegúrese de que la muela no esté haciendo contacto con la pieza de trabajo antes de activar el interruptor.
22. Antes de utilizar la herramienta en una pieza de trabajo definitiva, déjela funcionar durante un rato. Observe para ver si hay vibración o bamboleo que pueda indicar una incorrecta instalación o muela mal equilibrada.
23. Utilice la superficie especificada del disco para realizar el amolado.
24. Tenga cuidado con las chispas que salen volando. Sujete la herramienta de forma que las chispas salgan volando en dirección contraria a usted y otras personas o materiales inflamables.
25. No deje la herramienta en marcha. Tenga en marcha la herramienta solamente cuando la tenga en la mano.
26. No toque la pieza de trabajo inmediatamente después de la operación; podría estar muy caliente y quemarle la piel.
27. No toque los accesorios inmediatamente después de la operación; podrán estar muy calientes y quemarle la piel.
28. Observe las instrucciones del fabricante para montar y utilizar de forma correcta las muelas. Maneje y almacene las muelas con cuidado.
29. Compruebe que la pieza de trabajo esté debidamente apoyada.
30. Si el lugar de trabajo es muy caluroso y húmedo, o si está muy contaminado con polvo conductor, utilice un ruptor de cortocircuito (30 mA) para garantizar la seguridad del operario.
31. No utilice la herramienta con ningún material que contenga asbestos.
32. Asegúrese siempre de que tiene suelo firme. Asegúrese de que no haya nadie debajo cuando utilice la herramienta en lugares altos.

#### GUARDE ESTAS INSTRUCCIONES.

##### ADVERTENCIA:

NO deje que la comodidad o familiaridad con el producto (a base de utilizarlo repetidamente) sustituya la estricta observancia de las normas de seguridad para el producto en cuestión. El MAL USO o el no seguir las normas de seguridad establecidas en este manual de instrucciones podrá ocasionar graves heridas personales.

ENC007-11

#### INSTRUCCIONES DE SEGURIDAD IMPORTANTES

##### PARA EL CARTUCHO DE LA BATERÍA

1. Antes de utilizar el cartucho de la batería, lea todas las instrucciones y referencias de precaución que se encuentran en (1) el cargador de baterías, (2) la batería y (3) el producto que utiliza la batería.
2. No desmonte el cartucho de la batería.

3. Si el tiempo de funcionamiento es excesivamente corto, deje de utilizar la herramienta de inmediato. De lo contrario, existe el riesgo de sobrecalentamiento, quemaduras e incluso explosión.
4. Si se produce contacto ocular con electrolito, enjuáguese los ojos con agua limpia y acuda de urgencia al médico. Corre el riesgo de perder la visión.
5. No cortocircuite el cartucho de la batería:
  - (1) No toque los terminales con material conductor.
  - (2) Evite guardar el cartucho de la batería en un recipiente con otros objetos metálicos, como clavos, monedas, etc.
  - (3) No exponga el cartucho de la batería al agua o a la lluvia.
6. No almacene la herramienta ni el cartucho de la batería en lugares donde la temperatura supere los 50°C.
7. No quemé el cartucho de la batería aunque esté gravemente dañado o completamente gastado. El cartucho de la batería puede explotar si entra en contacto con fuego.
8. Procure que la batería no sufra golpes ni caídas.
9. No utilice una batería dañada.
10. Las baterías de litio-ion contenidas están sujetas a los requisitos de la Legislación para Materiales Peligrosos.

Para transportes comerciales, p.ej., por terceras personas y agentes de transportes, se deberán observar requisitos especiales para el empaquetado y etiquetado.

Para la preparación del artículo que se va a enviar, se requiere consultar con un experto en materiales peligrosos. Por favor, observe también la posibilidad de reglamentos nacionales más detallados.

Cubra con cinta aislante o enmascare los contactos expuestos y empaquete la batería de tal manera que no se pueda mover dentro del embalaje.

11. Siga los reglamentos locales referentes al desecho de la batería.

#### GUARDE ESTAS INSTRUCCIONES.

##### PRECAUCIÓN: Utilice solamente baterías genuinas de Makita.

La utilización de baterías que no sean de Makita, o baterías que hayan sido alteradas, podrá resultar en que la batería reviente ocasionando incendios, heridas personales y daños. También anulará la garantía de Makita para la herramienta y cargador de Makita.

#### Consejos para conseguir una mayor duración de la batería

1. Cargue la batería antes de que se descargue por completo. Cuando observe que la herramienta tiene menos potencia, deje de utilizarla y cargue el cartucho de la batería.
2. No recargue nunca un cartucho de batería completamente cargado. La sobrecarga acorta la vida útil de la batería.

3. **Cargue el cartucho de la batería a una temperatura ambiente que oscile entre 10°C – 40°C. Antes de cargar un cartucho de batería caliente, deje que se enfríe.**
4. **Cargue el cartucho de batería si no lo utiliza durante un periodo de tiempo prolongado (más de seis meses).**

## DESCRIPCIÓN DEL FUNCIONAMIENTO

### ⚠ PRECAUCIÓN:

- Asegúrese siempre de apagar la herramienta y extraer el cartucho de la batería antes de intentar realizar cualquier tipo de ajuste o comprobación en ella.

### Instalación o extracción del cartucho de la batería (Fig. 1)

#### ⚠ PRECAUCIÓN:

- Apague siempre la herramienta antes de la instalación o extracción del cartucho de batería.
- **Sujete la herramienta y el cartucho de batería firmemente cuando instale o extraiga el cartucho de batería.** Si no sujeta la herramienta y el cartucho de batería firmemente podrán caérsele de las manos y resultar en daños a la herramienta y cartucho de batería y heridas personales.

Para extraer el cartucho de batería, deslícelo de la herramienta a la vez que desliza el botón de la parte frontal del cartucho.

Para instalar el cartucho de batería, alinee la lengüeta del cartucho de batería con la ranura de la carcasa y deslícelo hasta que encaje en su sitio. Insértelo a tope hasta que se bloquee en su sitio produciendo un pequeño chasquido. Si puede ver el indicador rojo en el lado superior del botón, no estará bloqueado completamente.

#### ⚠ PRECAUCIÓN:

- Instale siempre el cartucho de batería completamente hasta que no pueda verse el indicador rojo. En caso contrario, podrá caerse accidentalmente de la herramienta y ocasionarle heridas a usted o a alguien que esté cerca de usted.
- No instale el cartucho de batería empleando fuerza. Si el cartucho no se desliza al interior fácilmente, será porque no está siendo insertado correctamente.

### Sistema de protección de la batería (Fig. 2)

La herramienta está equipada con un sistema de protección de la batería. Este sistema corta automáticamente la alimentación del motor para alargar la vida útil de la batería.

La herramienta se detendrá automáticamente durante la operación si la herramienta y/o la batería son puestas en una de las condiciones siguientes:

- **Sobrecargada:**  
La herramienta es utilizada de una manera que da lugar a que tenga que absorber una corriente anormalmente alta.  
En esta situación, apague la herramienta y detenga la tarea que ocasiona la sobrecarga de la herramienta. Después encienda la herramienta para volver a empezar.  
Si la herramienta no se pone en marcha, la batería estará recalentada. En esta situación, deje que la batería se enfríe antes de encender la herramienta otra vez.

- **Tensión baja en la batería:**  
La capacidad de batería restante es muy baja y la herramienta no funcionará. En esta situación, extraiga la batería y vuelva a cargarla.

#### NOTA:

- La protección contra el recalentamiento funciona solamente con un cartucho de batería con marca de estrella.

### Indicación de la capacidad de batería restante (Fig. 3)

(Solamente para cartuchos de batería con "B" al final del número de modelo.)

Pulse el botón de comprobación en el cartucho de batería para indicar la capacidad de batería restante. Las lámparas indicadoras se iluminan durante unos pocos segundos.

Lámparas indicadoras			Capacidad restante
Encendida	Apagada	Parpadeando	
■	□	▧	75% a 100%
■ ■ ■ ■			
■ ■ ■ □			50% a 75%
■ ■ □ □			25% a 50%
■ □ □ □			0% a 25%
▧ □ □ □			Cargue la batería.
■ ■ □ □	□ □ ■ ■		Es posible que la batería no funcione bien.
□ □ ■ ■	■ ■ □ □		

015658

#### NOTA:

- Dependiendo de las condiciones de utilización y la temperatura ambiente, es posible que la indicación varíe ligeramente de la capacidad real.

### Funcionamiento del interruptor (Fig. 4)

#### ⚠ PRECAUCIÓN:

- Antes de insertar el cartucho de la batería en la herramienta, asegúrese siempre de que el interruptor deslizante funcione como es debido y que vuelva a la posición "OFF" al ejercer presión sobre la parte posterior del interruptor deslizante.
- El interruptor puede ser bloqueado en la posición "ON" para mayor comodidad del operario durante una utilización prolongada. Tenga precaución cuando bloquee la herramienta en la posición "ON" y mantenga la herramienta firmemente empuñada.

Para poner la herramienta en marcha, deslice el interruptor deslizante hasta la posición "I (ON)". Para un uso continuo, presione la parte delantera del interruptor deslizante para bloquearlo.

Para detener la herramienta, presione la parte posterior del interruptor deslizante y, a continuación, deslícelo hacia la posición "O (OFF)".

### Luz indicadora multifunción (Fig. 5)

Las luces indicadoras se encuentran en dos posiciones. Cuando se inserta el cartucho de la batería en la herramienta con el interruptor deslizante en la posición "O (OFF)", la luz indicadora parpadea rápidamente durante un segundo aproximadamente. Si no parpadea así, el cartucho de la batería o la luz indicadora se han roto.

#### – Protección de sobrecarga

- Cuando la herramienta se sobrecarga, se enciende la luz. Cuando se reduce la carga de la herramienta, se apaga la luz.
- Si la herramienta continúa sobrecargada y la luz indicadora sigue encendida durante aproximadamente dos segundos, la herramienta se detiene. Esto evita que el motor y las piezas relacionadas se dañen.
- En ese caso, para volver a poner en marcha la herramienta, mueva el interruptor deslizante hasta la posición "O (OFF)" una vez y después, hasta la posición "I (ON)".

#### – Indicación de sustitución del cartucho de la batería

- Cuando la carga restante de la batería es baja, la luz indicadora se enciende mientras se usa la herramienta para indicar que pronto se debe sustituir la batería.

#### – Función de prevención de puesta en marcha accidental

- Aunque el cartucho de la batería se inserte en la herramienta con el interruptor deslizante en la posición "I (ON)", la herramienta no se pone en marcha. En ese momento, la luz parpadea lentamente, lo que indica que se ha activado la función de prevención de puesta en marcha accidental.
- Para poner en marcha la herramienta, primero debe deslizar el interruptor deslizante hasta la posición "O (OFF)" y después debe deslizarlo hasta la posición "I (ON)".

## MONTAJE

### ⚠ PRECAUCIÓN:

- Asegúrese siempre de apagar la herramienta y extraer el cartucho de la batería antes de intentar realizar cualquier tipo de operación en la herramienta.

### Instalación o desmontaje de la muela (Fig. 6 y 7)

Aloje la tuerca de pinza e inserte la muela en la tuerca de pinza. Utilice una llave para sujetar el eje y la otra para apretar la tuerca de pinza firmemente.

La muela no deberá ser montada a más de 10 mm de la tuerca de pinza. Si excede esta distancia podrá producirse vibración y romperse el eje.

Para desmontar la muela, siga el procedimiento de instalación a la inversa.

### ⚠ PRECAUCIÓN:

- Utilice la pinza cónica de tamaño correcto para la muela que vaya a emplear.

## OPERACIÓN (Fig. 8)

Encienda la herramienta sin que la muela esté haciendo contacto alguno con la pieza de trabajo y espere hasta que la muela alcance la velocidad completa. Luego aplique suavemente la muela a la pieza de trabajo. Para lograr un buen acabado, mueva la herramienta lentamente en dirección hacia la izquierda.

### ⚠ PRECAUCIÓN:

- Aplique poca presión a la herramienta. Una presión excesiva en la herramienta dará lugar a un acabado deficiente y a una sobrecarga al motor.

## MANTENIMIENTO

### ⚠ PRECAUCIÓN:

- Asegúrese de apagar siempre la herramienta y extraer el cartucho de la batería antes de intentar realizar cualquier trabajo de inspección o mantenimiento en ella.
- No utilice nunca gasolina, bencina, disolvente, alcohol o similares. Podría producir descoloración, deformación o grietas.

### Sustitución de las escobillas de carbón

Extraiga y compruebe las escobillas de carbón regularmente. Reemplácelas cuando se gasten hasta la marca de límite. Mantenga las escobillas de carbón limpias y de forma que entren libremente en los portaescobillas. Ambas escobillas de carbón deberán ser reemplazadas al mismo tiempo. Utilice únicamente escobillas de carbón idénticas. (Fig. 9)

Inserte el extremo superior del destornillador de punta plana en la muesca de la herramienta y extraiga la cubierta de la tapa del portaherramientas tirando hacia arriba de ella. (Fig. 10)

Utilice un destornillador para extraer las tapas de los portaescobillas. Saque las escobillas de carbón desgastadas, inserte las nuevas y cierre las tapas de los portaescobillas. (Fig. 11)

Vuelva a colocar la tapa del portaherramientas en la herramienta.

Para conservar la SEGURIDAD y la FIABILIDAD del producto, los trabajos de reparación y otros trabajos de mantenimiento y ajuste deberán ser realizados en centros de servicio autorizados de Makita, utilizando siempre repuestos Makita.

## ACCESORIOS OPCIONALES

### ⚠ PRECAUCIÓN:

- Se recomienda el uso de estos accesorios o complementos con la herramienta Makita especificada en este manual. El uso de otros accesorios o complementos puede conllevar el riesgo de ocasionar daños corporales. Utilice los accesorios o complementos solamente para su fin establecido.

Si necesita cualquier ayuda para obtener más información relativa a estos accesorios, pregunte al centro de servicio Makita local.

## Mango lateral (accesorio) (Fig. 12, 13, 14 y 15)

Cuando utilice el mango lateral, quite el protector de goma, inserte el mango lateral en el barril de la herramienta a fondo y gírelo hasta el ángulo deseado. Después apriete el mango firmemente girándolo hacia la derecha.

### PRECAUCIÓN:

- Cuando utilice la herramienta sin el mango, instale siempre el protector de goma en la herramienta.
- Cuando instale el protector de goma, empújelo siempre contra la herramienta de forma que la parte rebajada redonda de la goma quede posicionada cerca de la posición del interruptor.

- Muelas
- Pinza cónica (3 mm, 6 mm, 8 mm, 1/4", 1/8")
- Tuerca de pinza
- Llave 13
- Conjunto de mango lateral
- Batería y cargador genuinos de Makita

### NOTA:

- Algunos elementos de la lista podrán estar incluidos en el paquete de la herramienta como accesorios estándar. Pueden variar de un país a otro.

ENG905-1

## Ruido

El nivel de ruido A-ponderado típico determinado de acuerdo con la norma EN60745:

Nivel de presión sonora ( $L_{pA}$ ): 72 dB (A)

Incerteza (K): 3 dB (A)

El nivel de ruido durante el trabajo puede exceder los 80 dB (A).

**Póngase protectores en los oídos**

ENG900-1

## Vibración

El valor total de la vibración (suma de vectores triaxiales) determinado de acuerdo con la norma EN60745:

### Modelo DGD800

Modo tarea: amolado superficial

Emisión de vibración ( $a_{h, SG}$ ): 6,5 m/s<sup>2</sup>

Incerteza (K): 1,5 m/s<sup>2</sup>

### Modelo DGD801

Modo tarea: amolado superficial

Emisión de vibración ( $a_{h, SG}$ ): 2,5 m/s<sup>2</sup> o menos

Incerteza (K): 1,5 m/s<sup>2</sup>

ENG901-1

- El valor de emisión de vibración declarado ha sido medido de acuerdo con el método de prueba estándar y se puede utilizar para comparar una herramienta con otra.
- El valor de emisión de vibración declarado también se puede utilizar en una valoración preliminar de exposición.

### ADVERTENCIA:

- La emisión de vibración durante la utilización real de la herramienta eléctrica puede variar del valor de emisión declarado dependiendo de las formas en las que la herramienta sea utilizada.
- Asegúrese de identificar medidas de seguridad para proteger al operario que estén basadas en una estimación de la exposición en las condiciones reales de utilización (teniendo en cuenta todas las partes del ciclo operativo tal como las veces cuando la herramienta está apagada y cuando está funcionando en vacío además del tiempo de gatillo).

## DECLARACIÓN CE DE CONFORMIDAD

### Para países europeos solamente

La declaración CE de conformidad está incluida como Anexo A de esta manual de instrucciones.

**Explicação geral**

1 Botão	7 Interruptor deslizante	13 Marca limite
2 Indicador vermelho	8 Luz indicadora	14 Cobertura da tampa do portaescovas
3 Bateria	9 Chave 13	15 Chave de parafusos
4 Marcação de estrela	10 Ponta da roda	16 Tampa do porta-escovas
5 Luzes indicadoras	11 Porca do mandril	
6 Botão de verificação	12 Chave 13	

**ESPECIFICAÇÕES**

Modelo	DGD800	DGD801
Capacidade de aperto .....	6 mm ou 6,35 mm (1/4")	6 mm ou 6,35 mm (1/4")
Diâmetro máx. do ponteiro rotativo .....	36 mm	36 mm
Comprimento máximo do mandril (haste) .....	46 mm	46 mm
Velocidade em vazio (n <sub>0</sub> ) / Velocidade nominal (n) .....	26.000 (min <sup>-1</sup> )	26.000 (min <sup>-1</sup> )
Comprimento total .....	402 mm	307 mm
Peso líquido .....	2,0 kg	1,7 kg
Tensão nominal .....	CC 18 V	CC 18 V

- Devido a um programa contínuo de pesquisa e desenvolvimento, estas especificações podem ser alteradas sem aviso prévio.
- As especificações e a bateria podem diferir de país para país.
- Peso, com a bateria, de acordo com o Procedimento 01/2003 da EPTA (European Power Tool Association)

ENE050-1

**Utilização pretendida**

Esta ferramenta serve para desbastar materiais ferrosos ou para rebarbar moldes.

GEA010-1

**Avisos gerais de segurança para ferramentas eléctricas**

**⚠ AVISO! Leia todos os avisos de segurança e todas as instruções.** O não cumprimento de todos os avisos e instruções pode originar choque eléctrico, incêndio e/ou ferimentos graves.

**Guarde todos os avisos e instruções para futuras referências.**

GEB124-2

**AVISOS DE SEGURANÇA PARA A RETIFICADEIRA A BATERIA**

**Avisos de segurança comuns para operações de afiar:**

1. **Esta ferramenta tem por finalidade funcionar como uma rectificadora. Leia todas os avisos de segurança, instruções, ilustrações e especificações fornecidas com esta ferramenta.** Caso não siga todas as instruções descritas abaixo, podem ocorrer choques eléctricos, incêndios e/ou ferimentos graves.
2. **Não é recomendada a utilização desta ferramenta eléctrica para determinadas operações tais como lixar, escovar com arame, polir ou cortar.** Operações para as quais a ferramenta não foi concebida podem criar perigos e causar ferimentos pessoais.
3. **Não utilize acessórios que não os especificamente concebidos e recomendados pelo fabricante para a ferramenta.** Mesmo que o acessório encaixe na ferramenta, isso não garante uma operação segura.

4. **A velocidade nominal dos acessórios de afiar deve ser, no mínimo, igual à velocidade máxima marcada na ferramenta eléctrica.** Os acessórios de afiar a funcionar mais rapidamente do que a velocidade nominal podem partir e ser arremessados.
5. **O diâmetro exterior e a espessura do acessório devem estar dentro da capacidade nominal da ferramenta.** Não é possível controlar adequadamente acessórios de tamanho incorrecto.
6. **O tamanho da fixação do acessório tem de ser adequado para receber a ferramenta eléctrica.** Os acessórios que não correspondem ao hardware de montagem da ferramenta eléctrica ficam desequilibrados, vibram excessivamente e podem provocar perda de controlo.
7. **Os acessórios montados no mandril têm de ser inseridos até ao fim dentro do engaste ou da bucha.** Se o mandril não ficar bem fixo e/ou a sobre-elevação da roda for demasiado longa, o acessório montado pode soltar-se e ser arremessado a alta velocidade.
8. **Não utilize um acessório danificado.** Inspeccione o acessório antes de cada utilização, como as rodas abrasivas, para verificar se estão lascadas ou rachadas. Se a ferramenta ou acessório cair, inspeccione para ver se está danificado ou instale um acessório não danificado. Depois de inspeccionar e instalar um acessório, afaste-se e afaste outras pessoas nas proximidades do plano do acessório rotativo e ligue a ferramenta eléctrica na velocidade máxima sem carga durante um minuto. Os acessórios danificados normalmente partem-se durante este período de teste.

9. **Utilize equipamento de protecção pessoal. Utilize um protector facial, óculos de segurança ou protectores oculares, consoante a aplicação. Quando necessário, utilize uma máscara anti-poeira, protectores para os ouvidos, luvas e uma bata de trabalho que possam deter fragmentos pequenos e abrasivos.** O protector ocular deve ter capacidade de resguardar contra detritos arremessados durante as várias operações. A máscara de pó ou de respiração deve ter capacidade de filtrar as partículas geradas pela operação que estiver a efectuar. Uma exposição prolongada a ruídos de alta intensidade pode causar a perda de audição.
10. **Mantenha as pessoas presentes a uma distância segura da área de trabalho. Qualquer pessoa que entre na área de trabalho deve utilizar equipamento de protecção pessoal.** Os fragmentos da peça de trabalho ou de um acessório partido podem ser arremessados e causar ferimentos para além da área imediata de operação.
11. **Agarre na ferramenta eléctrica somente pelas superfícies isoladas quando executar uma operação em que a ferramenta de corte pode entrar em contacto com um fio escondido.** O contacto do acessório de corte com um fio "vivo" também fará com que as partes metálicas expostas da ferramenta fiquem "vivas" e podem um causar choque eléctrico no operador.
12. **Mantenha sempre a ferramenta firmemente na(s) mão(s) durante o arranque.** O binário de reacção do motor, enquanto acelera até à velocidade máxima, pode fazer com que a ferramenta gire.
13. **Utilize braçadeiras para suportar a peça de trabalho sempre que seja prático. Nunca segure uma peça de trabalho pequena numa mão e a ferramenta na outra durante a utilização.** Fixar uma peça de trabalho pequena permite-lhe utiliza-la a(s) mão(s) para controlar a ferramenta. Os materiais circulares, como as hastes de cavilha, tubos ou tubagens têm tendência para rolar quando estão a ser cortados, e podem fazer com que a ponta dobre ou salte na sua direcção.
14. **Nunca pouse a ferramenta antes do acessório parar completamente.** O acessório em rotação pode apanhar a superfície e fazê-lo perder o controlo da ferramenta.
15. **Depois de mudar as brocas ou de fazer quaisquer ajustes, certifique-se de que a porca ou a bicha de engaste, ou quaisquer outros dispositivos de ajuste estão apertados em segurança.** Os dispositivos de ajuste soltos podem mudar de direcção inesperadamente provocando a perda de controlo, bem como os componentes rotativos soltos podem ser arremessados com violência.
16. **Não ligue a ferramenta eléctrica enquanto a transporta perto do corpo.** O contacto accidental com o acessório em rotação pode prender a sua roupa, puxando o acessório para o corpo.
17. **Limpe regularmente as aberturas de ventilação da ferramenta eléctrica.** A ventoinha do motor atrai o pó para o interior da caixa e a acumulação excessiva de metal em pó pode causar problemas eléctricos.
18. **Não utilizar a ferramenta perto de materiais inflamáveis.** As faíscas podem incendiar esses materiais.

19. **Não utilize acessórios que necessitem de líquido de refrigeração.** Usar água ou outro líquido arrefecedor poderá resultar em electrocussão ou choque.

#### **Recuo e avisos relacionados**

O recuo é uma reacção súbita a um acessório rotativo preso ou enganchado. Quando a ferramenta prende ou engancha em algum material faz com que o acessório rotativo pare subitamente o que, por sua vez, descontrola a ferramenta eléctrica que é empurrada na direcção oposta à da rotação do acessório.

Por exemplo, se uma roda abrasiva ficar presa ou emperrada na peça de trabalho, a extremidade da roda introduzida no ponto de encravamento pode penetrar-se na superfície do material, fazendo com que a roda saia e volte para trás. A roda pode saltar na direcção do operador ou para a direcção oposta, dependendo da direcção do movimento da roda no momento do encravamento. As rodas abrasivas podem também quebrar nestas condições.

O recuo é o resultado da má utilização da ferramenta eléctrica e/ou procedimentos ou condições de funcionamento incorrectos e pode ser evitado tomando as devidas precauções, como indicado abaixo.

- a) **Agarre a ferramenta com firmeza e posicione-se de forma a permitir que o seu corpo e braço consigam resistir à força do recuo.** O operador poderá controlar as forças do recuo se tomar as medidas de precaução necessárias.
- b) **Tenha cuidado especialmente ao trabalhar em cantos, extremidades afiadas, etc. Evite fazer ressaltar e movimentar bruscamente o acessório.** Os cantos, extremidades afiadas ou ressaltos tendem a movimentar bruscamente o acessório em rotação e causam perda de controlo ou recuo.
- c) **Não instale uma lâmina de serra serrilhada.** Este tipo de lâminas cria recuos frequentes e perda de controlo.
- d) **Alimente sempre a ponta para dentro do material na mesma direcção em que a extremidade de corte sai do material (que é a mesma direcção em que as lascas do material são arremessadas).** Alimentar a ferramenta na direcção errada faz com que a extremidade de corte da ponta suba pela peça de trabalho e empurre a ferramenta na direcção desta alimentação.

**Avisos de segurança específicos para operações de afiar:**

- a) **Utilize apenas rodas de tipos recomendados para a sua ferramenta eléctrica e apenas para as aplicações recomendadas.**

**Avisos de segurança adicionais:**

20. **A ferramenta deve ser utilizada com pontos de rodas abrasivas ligadas (pedras de amolar) montadas permanentemente num mandril plano, não roscado (haste).**
21. **Certifique-se de que a roda não está em contacto com a peça de trabalho antes de ligar o interruptor.**
22. **Antes de utilizar a ferramenta numa peça de trabalho, deixe-a funcionar por alguns instantes. Observe se há vibrações ou oscilações que possam indicar má instalação ou uma roda mal equilibrada.**



23. Utilize a superfície especificada da roda para afiar.
24. Tenha cuidado com as faíscas que saltam. Agarre a ferramenta de modo a que as faíscas não saltem na sua direcção, na de outras pessoas e nem na direcção de materiais inflamáveis.
25. Não deixe a ferramenta a funcionar. Utilize a ferramenta só quando a estiver a agarrar.
26. Não toque na peça de trabalho logo após a operação uma vez que pode estar muito quente e provocar queimaduras.
27. Não toque nos acessórios imediatamente após a operação. Podem estar extremamente quentes e provocar queimaduras na sua pele.
28. Cumpra as instruções do fabricante sobre a instalação e utilização correctas das rodas. Manuseie e guarde as rodas com cuidado.
29. Verifique se a peça de trabalho está devidamente suportada.
30. Se o local de trabalho for extremamente quente e húmido, ou muito poluído por pó condutor, utilize um disjuntor de 30 mA para assegurar uma operação segura.
31. Não utilize a ferramenta em qualquer material que contenha amianto.
32. Procure sempre uma posição em pé estável e firme. Se utilizar a ferramenta em locais altos, verifique se não há ninguém por baixo.

## GUARDE ESTAS INSTRUÇÕES.

### AVISO:

**NÃO** permita que conforto ou familiaridade com o produto (adquirido com o uso repetido) substitua a aderência estrita às regras de segurança da ferramenta. **MÁ INTERPRETAÇÃO** ou não seguimento das regras de segurança estabelecidas neste manual de instruções pode causar danos pessoais sérios.

ENC007-11

## INSTRUÇÕES DE SEGURANÇA IMPORTANTES

### RELATIVAS À BATERIA

1. Antes de utilizar a bateria, leia as instruções e chamadas de atenção de: (1) o carregador da bateria, (2) a bateria e (3) o produto que utiliza a bateria.
2. Não desmonte a bateria.
3. Se o tempo de utilização com a bateria se tornar demasiado curto, deve parar imediatamente. Se continuar, pode causar sobreaquecimento, incêndio e mesmo explosão.
4. Se o electrólito entrar em contacto com os olhos, enxágue-os com água limpa e consulte imediatamente um médico. Os riscos incluem perda de visão.
5. Não provoque um curto-circuito na bateria:
  - (1) Não deixe que quaisquer materiais condutores entrem em contacto com os terminais da bateria.
  - (2) Evite guardar a bateria juntamente com outros objectos de metal como moedas, por exemplo.
  - (3) Não exponha a bateria a água ou chuva.

Um curto-circuito na bateria pode criar uma grande carga eléctrica, sobreaquecimento, incêndio e um corte de corrente.

6. Não guarde a ferramenta e a bateria em locais onde a temperatura possa atingir ou exceder 50°C.
7. Não incinere a bateria, nem mesmo se esta estiver irremediavelmente danificada ou completamente gasta. Pode explodir e causar um incêndio.
8. Não a deixe cair e evite o choque com outros objectos.
9. Não utilize uma bateria danificada.
10. **As baterias de íões de lítio incluídas estão sujeitas aos requisitos da Legislação de Produtos Perigosos.**

Para os transportes comerciais, por exemplo, de terceiros ou transitários, têm de ser observados requisitos especiais referentes à embalagem e etiquetagem.

Para preparação do artigo a ser enviado, é necessário consultar um perito em materiais perigosos. Tenha ainda em conta a possibilidade de existirem regulamentos nacionais mais detalhados.

Coloque fita adesiva ou fita isoladora nos contactos abertos e embale a bateria de tal forma que não se possa mover dentro da embalagem.
11. **Siga os seus regulamentos locais relativos à eliminação da bateria.**

## GUARDE ESTAS INSTRUÇÕES.

### PRECAUÇÃO: Utilize apenas baterias originais Makita.

A utilização de baterias que não sejam da Makita, ou baterias que foram alteradas, pode resultar em rebentamento da bateria provocando incêndios, ferimentos pessoais e danos. Anulará igualmente a garantia Makita da ferramenta e do carregador Makita.

### Sugestões para o máximo de tempo de vida da bateria

1. Não espere que a bateria se gaste completamente para voltar a carregá-la. Pare a ferramenta e carregue a bateria sempre que detectar um baixo nível de energia.
2. Nunca volte a carregar uma bateria já completamente carregada. O carregamento excessivo diminui o tempo de vida das baterias.
3. Carregue a bateria a uma temperatura ambiente de 10°C – 40°C. Se a bateria estiver quente, deixe-a arrefecer antes de iniciar o carregamento.
4. Carregue o cartucho da bateria se não o utilizar durante um longo período de tempo (mais de seis meses).

## DESCRIÇÃO FUNCIONAL

### PRECAUÇÃO:

- Certifique-se sempre de que a ferramenta está desligada e que a bateria foi removida antes de proceder a ajustes ou testar acessórios.

## Inserir ou retirar a bateria (Fig. 1)

### ⚠ PRECAUÇÃO:

- Desligue sempre a ferramenta antes de instalar ou retirar o cartucho da bateria.
- **Segure firmemente na ferramenta e no cartucho da bateria quando instalar ou retirar o cartucho da bateria.** Se não segurar firmemente na ferramenta e no cartucho da bateria pode dar origem a que escorreguem das suas mãos e daí resultar danos para a ferramenta e para o cartucho da bateria e ferimentos corporais.

Para retirar o cartucho da bateria, deslize-o da ferramenta enquanto desliza o botão na parte da frente do cartucho.

Para instalar o cartucho da bateria, alinhe a lingueta no cartucho da bateria com o entalhe na caixa e deslize-o para o lugar. Insira-o por completo até bloquear no lugar com um pequeno estalido. Se conseguir ver o indicador vermelho no lado superior do botão, não está bloqueado completamente.

### ⚠ PRECAUÇÃO:

- Instale sempre o cartucho da bateria por completo até o indicador vermelho não ser visto. Se isso não acontecer, pode cair acidentalmente da ferramenta, causando-lhe ferimentos a si ou alguém perto de si.
- Não instale o cartucho da bateria fazendo força. Se o cartucho não deslizar facilmente, não está a ser inserido correctamente.

## Sistema de protecção da bateria (Fig. 2)

A ferramenta está equipada com um sistema de protecção da bateria. Este sistema corta automaticamente a corrente ao motor para aumentar a duração da bateria. A ferramenta pára automaticamente durante a operação se a ferramenta e/ou a bateria estiverem sujeitas a uma das seguintes condições:

- Sobrecarga:

A ferramenta é operada de modo que a obriga a puxar uma corrente anormalmente elevada.

Nesta situação, desligue a ferramenta e pare a aplicação que provocou a sobrecarga da ferramenta. Em seguida, ligue a ferramenta para reiniciar.

Se a ferramenta não iniciar, a bateria sobreaqueceu. Nesta situação, deixe a bateria arrefecer antes de voltar a ligar a ferramenta.

- Tensão baixa da bateria:

A capacidade restante da bateria é demasiada baixa e a ferramenta não funcionará. Nesta situação, retire e recarregue a bateria.

### NOTA:













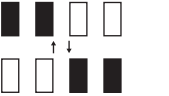

- A protecção de sobreaquecimento funciona apenas com um cartucho de bateria com uma marca de estrela.

## Indicação a capacidade restante da bateria

### (Fig. 3)

(Apenas para cartuchos da bateria com “B” no final do número do modelo.)

Prima o botão de verificação no cartucho da bateria para indicar a capacidade restante da bateria. As luzes indicadoras acendem durante alguns segundos.

Luzes indicadoras			Capacidade restante
 Acesa	 Apagada	 A piscar	
			75% a 100%
			50% a 75%
			25% a 50%
			0% a 25%
			Carregue a bateria.
			A bateria pode ter tido uma avaria.

015658

### NOTA:

- Dependendo das condições de utilização e da temperatura ambiente, a indicação pode diferir ligeiramente da capacidade real.

## Acção do interruptor (Fig. 4)

### ⚠ PRECAUÇÃO:

- Antes de inserir a bateria na ferramenta, verifique sempre se o interruptor deslizante está a funcionar correctamente e se volta à posição “OFF” quando é premida a parte de trás do interruptor deslizante.
- O interruptor pode ser bloqueado na posição “ON” para conforto do operador durante a utilização prolongada. Tenha cuidado ao bloquear a ferramenta na posição “ON” e segure-a com firmeza.

Para ligar a ferramenta, mova o interruptor deslizante para a posição “I (ON)”. Para uma utilização contínua, prima a parte da frente do interruptor deslizante para o bloquear.

Para desligar a ferramenta, prima a parte de trás do interruptor deslizante, depois mova-o para a posição “O (OFF)”.

## Luz indicadora com várias funções (Fig. 5)

As luzes indicadoras estão localizadas em duas posições.

Quando a bateria é colocada na ferramenta com o interruptor deslizante na posição “O (OFF)”, a luz indicadora pisca rapidamente durante cerca de um segundo. Se não piscar, a bateria ou luz indicadora estão avariadas.

### – Protecção contra sobrecarga

- Sempre que a ferramenta estiver com sobrecarga, a luz indicadora acende-se. Sempre que a carga na ferramenta for reduzida, a luz apaga-se.
- Se a ferramenta continuar com sobrecarga e a luz indicadora continuar a acender-se durante cerca de dois segundos, a ferramenta pára. Isto evita que o motor e respectivas peças fiquem danificadas.

- Neste caso, para ligar novamente a ferramenta, mova o interruptor deslizante para a posição “O (OFF)” uma vez e, depois, para a posição “I (ON)”.
- Sinal de substituição da bateria**
- Quando a capacidade da bateria é reduzida, a luz indicadora acende-se durante a utilização da ferramenta quando ainda existe capacidade de bateria suficiente.
- Função preventiva de arranque accidental**
- Mesmo que a bateria esteja colocada na ferramenta com o interruptor deslizante na posição “I (ON)”, a ferramenta não liga. Nesta altura, a luz pisca lentamente, o que é indicativo de que a função preventiva de arranque accidental se encontra activada.
  - Para ligar a ferramenta, mova o interruptor deslizante para a posição “O (OFF)” uma vez e, depois, para a posição “I (ON)”.

## ASSEMBLAGEM

### PRECAUÇÃO:

- Certifique-se sempre de que a ferramenta está desligada e a bateria removida, antes de efectuar qualquer operação na ferramenta.

### Instalar ou retirar o ponteiro rotativo

(Fig. 6 e 7)

Solte a porca do mandril e coloque o ponteiro rotativo na porca do mandril. Utilize uma chave para fixar o veio e outra para apertar bem a porca de aperto.

O ponteiro rotativo não deve ser montado a mais do que 10 mm da porca do mandril. Se exceder esta distância pode causar vibração ou partir o veio.

Para retirar o ponteiro do veio, execute inversamente o procedimento de instalação.

### PRECAUÇÃO:

- Utilize o cone do mandril com o tamanho correcto para o ponteiro rotativo que pretende utilizar.

## OPERAÇÃO (Fig. 8)

Ligue a ferramenta sem que o ponteiro rotativo faça qualquer contacto com a peça de trabalho e espere até que o ponteiro rotativo atinja a velocidade máxima. Em seguida aplique gentilmente o ponteiro rotativo na peça de trabalho. Para obter um bom acabamento, desloque a ferramenta lentamente para a esquerda.

### PRECAUÇÃO:

- Aplique ligeira pressão na ferramenta. Pressão excessiva na ferramenta causará um mau acabamento e sobrecarga do motor.

## MANUTENÇÃO

### PRECAUÇÃO:

- Certifique-se sempre de que a ferramenta está desligada e a bateria removida antes de efectuar operações de inspecção ou de manutenção.
- Nunca utilize gasolina, benzina, diluente, álcool ou produtos semelhantes. Pode ocorrer a descoloração, deformação ou rachaduras.

## Substituição das escovas de carvão

Remova e verifique regularmente as escovas de carvão. Substitua-as quando o desgaste atingir a marca limite.

Mantenha-as limpas para poderem deslizar no porta-escovas. Substitua as duas ao mesmo tempo. Utilize unicamente escovas de carvão idênticas. (Fig. 9)

Insira a ponta de uma chave de parafusos de fenda no entalhe da ferramenta e retire a cobertura da tampa do porta-escovas, levantando-a. (Fig. 10)

Utilize uma chave de parafusos para remover as tampas do porta-escovas. Retire as escovas usadas, coloque umas novas e fixe as tampas do porta-escovas. (Fig. 11) Volte a instalar a cobertura da tampa do porta-escovas na ferramenta.

Para manter os níveis de SEGURANÇA e FIABILIDADE definidos para este produto, as reparações e os procedimentos de manutenção ou ajustes devem ser executados por centros de assistência Makita autorizados, utilizando sempre peças de substituição Makita.

## ACESSÓRIOS OPCIONAIS

### PRECAUÇÃO:

- Estas peças ou acessórios são os recomendados para utilizar com a ferramenta Makita especificada neste manual. A utilização de outras peças ou acessórios pode representar risco de ferimentos. Utilize cada peça ou acessório apenas para o fim indicado.

Se necessitar de informações adicionais relativas a estes acessórios, contacte o centro de assistência Makita local.

### Pega lateral (acessório) (Fig. 12, 13, 14 e 15)

Quando utilizar a pega lateral, retire o protector de borracha, introduza a pega lateral no cano da ferramenta ao máximo e rode-a para o ângulo pretendido. De seguida, aperte bem a pega rodando no sentido dos ponteiros do relógio.

### PRECAUÇÃO:

- Quando utilizar a ferramenta sem pega, instale sempre o protector de borracha na ferramenta.
- Quando instalar o protector de borracha, empurre-o sempre para a ferramenta até que a parte superior rebaixada da borracha fique perto da posição do interruptor.

- Ponteiros rotativos
- Conjunto de cone de aperto (3 mm, 6 mm, 8 mm, 1/4", 1/8")
- Porca de aperto
- Chave 13
- Conjunto da pega lateral
- Bateria e carregador genuínos da Makita

### NOTA:

- Alguns itens da lista podem estar incluídos na embalagem da ferramenta como acessórios padrão. Eles podem variar de país para país.

ENG905-1

### Ruído

A característica do nível de ruído A determinado de acordo com EN60745:

Nível de pressão de som ( $L_{pA}$ ): 72 dB (A)

Variabilidade (K): 3 dB (A)

O nível de ruído durante o funcionamento pode exceder 80 dB (A).

**Utilize protectores para os ouvidos**

**Vibração**

Valor total da vibração (soma vectorial tri-axial) determinado de acordo com EN60745:

**Modelo DGD800**

Modo de funcionamento: afiar à superfície

Emissão de vibração ( $a_{h,SG}$ ): 6,5 m/s<sup>2</sup>

Variabilidade (K): 1,5 m/s<sup>2</sup>

**Modelo DGD801**

Modo de funcionamento: afiar à superfície

Emissão de vibração ( $a_{h,SG}$ ): 2,5 m/s<sup>2</sup> ou menos

Variabilidade (K): 1,5 m/s<sup>2</sup>

ENG901-1

- O valor da emissão de vibração indicado foi medido de acordo com o método de teste padrão e pode ser utilizado para comparar duas ferramentas.
- O valor da emissão de vibração indicado pode também ser utilizado na avaliação preliminar da exposição.

**⚠️ AVISO:**

- A emissão de vibração durante a utilização real da ferramenta eléctrica pode diferir do valor de emissão indicado, dependendo das formas como a ferramenta é utilizada.
- Certifique-se de identificar as medidas de segurança para protecção do operador que sejam baseadas em uma estimativa de exposição em condições reais de utilização (considerando todas as partes do ciclo de operação, tal como quando a ferramenta está desligada e quando está a funcionar em marcha lenta além do tempo de accionamento).

**DECLARAÇÃO DE CONFORMIDADE DA CE****Apenas para os países europeus**

A declaração de conformidade da CE está incluída como Anexo A neste manual de instruções.

**Illustrationsoversigt**

1 Knap	7 Glidekontakt	13 Slidgrænse
2 Rød indikator	8 Indikatorlampe	14 Holderdæksel
3 Batteripakke	9 Nøgle 13	15 Skruetrækker
4 Stjernemærke	10 Slibestift	16 Kulholderdæksel
5 Indikatorlamper	11 Spændepatronmøtrik	
6 Kontrolknap	12 Nøgle 13	

**SPECIFIKATIONER**

Model	DGD800	DGD801
Kapacitet af spændepatron .....	6 mm eller 6,35 mm (1/4")	6 mm eller 6,35 mm (1/4")
Maks. diameter på slibestift .....	36 mm	36 mm
Maks. længde af dorn (skaft) .....	46 mm	46 mm
Omdrejninger (n <sub>0</sub> ) / Nominelle hastighed (n) .....	26 000 (min <sup>-1</sup> )	26 000 (min <sup>-1</sup> )
Længde .....	402 mm	307 mm
Vægt .....	2,0 kg	1,7 kg
Nominal spænding.....	18 V DC	18 V DC

- På grund af vores kontinuerlige forskningsprogrammer og udvikling, kan hosstående specifikationer blive ændret uden varsel.
- Specifikationer og akku kan variere fra land til land.
- Vægt inklusive akku, i henhold til EPTA-Procedure 01/2003

ENE050-1

**Tilsligtet anvendelse**

Denne maskine er beregnet til slibning af jernholdige materialer eller til afgratning af jernstøbegods.

GEA010-1

**Almindelige sikkerhedsregler for el-værktøj**

**⚠ ADVARSEL! Læs alle sikkerhedsadvarsler og alle sikkerhedsinstruktioner.** Hvis nedenstående advarsler og instruktioner ikke overholdes, kan resultatet blive elektrisk stød, brand og/eller alvorlig personskade.

**Gem alle advarsler og instruktioner til fremtidig reference.**

GEB124-2

**SIKKERHEDSADVARSLER FOR AKKU-LIGESLIBER**

**Almindelige sikkerhedsforskrifter for slibning:**

1. **Denne maskine er beregnet til at fungere som en slibemaskine. Læs alle de sikkerhedsadvarsler, illustrationer og specifikationer, som følger med denne maskine.** Hvis alle de herunder anførte instruktioner ikke overholdes, kan resultatet blive elektrisk stød, brand og/eller tilskadekomst.
2. **Udførelse af arbejde såsom pudning, trådbørstning, polering og afskæring, anbefales ikke med denne maskine.** Arbejde, som maskinen ikke er beregnet til, kan være farligt og resultere i tilskadekomst.
3. **Benyt ikke tilbehør, som ikke er specielt designet og anbefalet af fabrikanten af maskinen.** Bare fordi tilbehøret kan monteres på maskinen, betyder det ikke, at en sikkerhedsmæssigt forsvarlig anvendelse er garanteret.
4. **Slibetilbehørets mærkehastighed skal mindst være lig med den maksimale hastighed, som er angivet på maskinen.** Slibetilbehør, som kører hurtigere end dets mærkehastighed, kan brække og slynges bort fra maskinen.

5. **Tilbehørets ydre diameter og tykkelse skal være inden for maskinens kapacitetsmærkedata.** Tilbehør af forkert størrelse kan ikke kontrolleres tilstrækkeligt.
6. **Akselstørrelsen på tilbehøret skal modsvarer maskinens spændepatron på korrekt vis.** Tilbehør, der ikke passer til monteringsdelene på maskinen, vil køre ubalanceret, vibrere ekstremt og kan medføre, at De mister herredømmet over maskinen.
7. **Dorn-monteret tilbehør skal sættes helt ind i spændepatronen eller patronen.** Hvis dornen ikke sidder ordentligt fast og/eller skiven rager for langt ud, kan det monterede tilbehør løsne sig og blive slynget ud med stor kraft.
8. **Benyt ikke tilbehør, som er beskadiget. Inspicér inden brug tilbehør, som f.eks. slibeskiver, for skår og revner.** Hvis maskinen eller dens tilbehør er blevet tabt, skal de inspiceres for beskadigelse, og ubeskadiget tilbehør skal monteres. Efter inspektion og montering af tilbehør, skal eventuelle omkringstående og De selv holde en god afstand til det roterende tilbehør og køre maskinen ved maksimal, ubelastet hastighed i et minut. Beskadiget tilbehør vil normalt gå i stykker under denne testtid.
9. **Anvend altid beskyttelsesudstyr. Afhængigt af arbejdets art anvendes ansigtsmaske, beskyttelsesbriller eller sikkerhedsbriller. Alt efter situationen anvendes støvmaske, høreværn, handsker eller arbejdsforklæde, som er i stand til at stoppe små skarpe dele fra arbejdsemnet.** Øjenbeskyttelsen skal kunne stoppe flyvende affald, som frembringes af diverse arbejdsoperationer. Støvmasken eller respiratoren skal kunne filtrere partikler, som frembringes under arbejdet. Længere tids udsættelse for støj af høj intensitet kan medføre høresvækkelse.
10. **Hold omkringstående på god afstand af arbejdsområdet. Enhver person, som befinder sig i arbejdsområdet, skal anvende beskyttelsesudstyr.** Fragmenter fra arbejdsemnet eller ødelagt tilbehør kan slynges af og resultere i tilskadekomst uden for det umiddelbare arbejdsområde.

11. **Hold kun maskinen i dens isolerede grebflader, når De udfører et stykke arbejde, hvor maskinen kan komme i berøring med skjulte ledninger.** Skæretilbehør, der kommer i kontakt med en strømførende ledning, vil bevirke, at synlige metaldele på maskinen bliver strømførende, hvorved operatøren kan få elektrisk stød.
12. **Hold altid godt fast i maskinen med hånden (hænderne) under starten.** Motorens drejningsmomentreaktion, når den accelererer til fuld hastighed, kan bevirke, at maskinen vrider.
13. **Brug skruetvinger til at understøtte arbejdsemnet, når det er praktisk. Hold aldrig et lille arbejdsemne i den ene hånd og maskinen i den anden under brugen.** Fastspænding af et lille arbejdsemne gør det muligt at bruge hånden (hænderne) til at styre maskinen. Rundt materiale såsom passstænger, rør eller slanger har tendens til at rulle, mens de skæres, hvilket kan bevirke, at boret binder eller springer mod Dem.
14. **Læg aldrig maskinen fra Dem, før tilbehøret er stoppet helt.** Det roterende tilbehør kan gribe fat i overfladen og bevirke, at De mister herredømmet over maskinen.
15. **Sørg for, efter at borene er skiftet ud eller når der er udført justeringer, at spændepatronmøtrikken, patronen eller andre justeringsanordninger er strammet godt til.** Løse justeringsanordninger kan bevæge sig uventet, resulterende i tab af herredømmet over maskinen, og løse, roterende dele vil blive slynget af med stor kraft.
16. **Kør ikke maskinen, mens De bærer den ved siden.** Utilsigtet kontakt med det roterende tilbehør kan bevirke, at Deres tøj sætter sig fast, hvorved tilbehøret kommer til at skære ind i kroppen.
17. **Rengør maskinens ventilationsåbninger med jævne mellemrum.** Motorens ventilator trækker støv ind i huset, og ekstrem opbobling af metalstøv kan medføre en farlig elektrisk tilstand.
18. **Benyt ikke maskinen i nærheden af brændbare materialer.** Disse materialer kan antændes af gnister.
19. **Benyt ikke tilbehør, der kræver flydende kølemidler.** Anvendelse af vand eller andre flydende kølemidler kan resultere i dødbringende elektriske stød eller stød.

#### Tilbageslag og relaterede advarsler

Tilbageslag er en pludselig reaktion på en fastklemt eller fasthængende tilbehørsdel. Fastklemning eller hindring medfører hurtig standsning af det roterende tilbehør, hvilket igen medfører, at den ukontrollerede maskine tvinges i den modsatte retning af tilbehørets rotation. Hvis f.eks. en slibeskive hindres eller fastklemmes af et arbejdsemne, kan den kant på skiven, som går ind i fastklemningspunktet, grave sig ind i materialets overflade, så skiven går ud eller slynges ud ved tilbageslag. Skiven kan enten slynges mod eller bort fra operatøren, alt afhængigt af skivens bevægelsesretning på fastklemningspunktet. Slibeskiver kan også brække under sådanne forhold.

Tilbageslag er et resultat af eller misbrug af og/eller forkert betjening af maskinen eller forkerte brugsforhold. Dette kan undgås ved at man tager de rigtige forholdsregler som vist herunder.

- a) **Hold godt fast i maskinen og indtag en stilling med krop og arme, så tilbageslag modvirkes.** Operatøren kan kontrollere tilbageslag, hvis der tages passende forholdsregler.
- b) **Undgå at tilbehøret hopper og hindres. Hjørner, skarpe kanter eller hoppen har en tendens til at hindre det roterende tilbehør og medføre, at De mister herredømmet over maskinen og at der opstår tilbageslag.**
- c) **Montrér ikke en savklinge med tænder.** Sådanne klinger er hyppigt årsag til tilbageslag og tab af herredømmet over maskinen.
- d) **Før altid boret ind i materialet i den samme retning, som skærekanten stikker ud fra materialet (hvilket er den samme retning som spånene kastes ud).** Fremføring af maskinen i den forkerte retning bevirker, at skærekanten kommer ud fra arbejdsemnet og trækker maskinen i retning af denne fremføring.

#### Særlige sikkerhedsforskrifter for slibning:

- a) **Benyt udelukkende anbefalede skivetyper til Deres maskine og kun til de anbefalede formål.**

#### Supplerende sikkerhedsforskrifter:

20. **Maskinen er beregnet til brug med bundne slibestifter (slibesten), som er permanent monteret på en glat dorn (skaft) uden gevind.**
21. **Sørg for, at skiven ikke er i berøring med arbejdsemnet, inden De tænder med afbryderen.**
22. **Inden maskinen anvendes på et arbejdsemne, skal De lade den køre i et stykke tid. Se efter, om der er vibrationer eller slinger, som kan indikere dårlig montering eller en dårligt balanceret skive.**
23. **Benyt den specificerede overflade på skiven til at udføre slibearbejdet.**
24. **Vær på vagt over for flyvende gnister. Hold maskinen således, at gnisterne vil flyve bort fra Dem og andre personer og brændbare materialer.**
25. **Lad ikke maskinen køre, når den ikke anvendes. Anvend kun maskinen, når den holdes i hånden.**
26. **Rør ikke ved arbejdsemnet umiddelbart efter arbejdet. Arbejdsemnet kan være meget varmt og være årsag til hudforbrændinger.**
27. **Undgå at berøre tilbehør umiddelbart efter arbejdets ophør. Det kan være meget varmt og kan forårsage forbrændinger af huden.**
28. **Overhold altid fabrikantens instruktioner for korrekt montering og anvendelse af skiver. Håndtør og opbevar skiver omhyggeligt.**
29. **Kontroller, at arbejdsemnet er ordentligt understøttet.**
30. **Hvis arbejdsstedet er meget varmt og fugtigt eller stærkt forurenede af ledende støv, skal man anvende en kortslutningsafbryder (30 mA) til at garantere operatørens sikkerhed.**
31. **Benyt ikke maskinen på materialer, som indeholder asbest.**
32. **Sørg altid for at have et sikkert fodfæste. Sørg for, at der ikke befinder sig personer nedenunder, når maskinen anvendes på et højtbeliggende sted.**

#### GEM DENNE BRUGSANVISNING.

## ADVARSEL:

LAD IKKE bekvemmelighed eller kendskab til produktet (opnået gennem gentagen brug) forhindre, at sikkerhedsforskrifterne for produktet nøje overholdes. MISBRUG eller forsømmelse af at følge de i denne brugsvejledning givne sikkerhedsforskrifter kan føre til, at De kommer alvorligt til skade.

ENC007-11

## VIGTIGE SIKKERHEDSINSTRUKTIONER

### FOR BATTERIPAKKEN

1. Før brugen af batteripakken skal du læse alle instruktioner og advarsler på (1) batteriopladeren, (2) batteriet og (3) det produkt, som batteriet anvendes i.
2. Skil ikke batteripakken ad.
3. Hvis driftstiden bliver betydeligt kortere, skal du straks opføre med brugen. Brug kan medføre risiko for overophedning, risiko for forbrændinger eller endog eksplosion.
4. Hvis du får elektrolyt i øjnene, skal du med det samme rense øjnene med rent vand og søge læge. Dette kan medføre tab af synet.
5. Kortslut ikke batteripakken:
  - (1) Undgå at berøre terminalerne med ledende materiale.
  - (2) Undgå at opbevare batteripakken i en beholder med andre metalgenstande som f.eks. søm, mønter osv.
  - (3) Udsæt ikke batteripakken for vand eller regn. Hvis batteriet kortsluttes, kan det medføre voldsom strøm, overophedning, mulige forbrændinger og endog nedbrud.
6. Undgå at opbevare værktøjet og batteripakken på steder, hvor temperaturen kan komme op på eller overstige 50°C.
7. Sæt ikke ild til batteripakken, selvom den er alvorligt beskadiget eller helt udtjent. Batteripakken kan eksplodere ved brand.
8. Undgå at tabe eller slå på batteriet.
9. Anvend ikke en beskadiget akku.
10. De indeholdte lithium-ion akkuer er underkastet lovgivningskravene for farlige artikler.

Ved kommercielle transporter, f.eks. af tredjepart, speditører, skal specielle krav om emballage og mærkning overholdes.

Angående forberedelse af den artikel, der sendes, kræves det, at en ekspert i farlige materialer konsulteres. Overhold desuden om muligt mere detaljerede nationale regulativer.

Tape eller tildæk åbne kontakter og anbring akkuen således, at den ikke kan bevæge sig inden i emballagen.

11. Følg de lokale regler angående bortskaffelse af akkuer.

### GEM DENNE BRUGSANVISNING.

#### FORSIGTIG: Brug kun originale Makitabatteripakker.

Brug af ikke-originale Makita-batteripakker, som er blevet modificeret, kan resultere i at batteripakker eksploderer med brand, personskade og beskadigelse som resultat. Det vil desuden ugyldiggøre Makita-garantien for Makitamaskinen og opladeren.

### Tips til, hvordan Du forlænger batteriets levetid

1. Oplad batteripakken, før den bliver helt afladet. Ophør med at bruge værktøjet, og udskift batteripakken, hvis strømmen til værktøjet aftager.
2. Oplad aldrig en fuldt opladet batteripakke. Overopladning forkorter batteriets levetid.
3. Oplad batteripakken ved stuetemperatur på 10°C – 40°C. Lad batteripakken køle af, før den oplades, hvis den er varm.
4. Oplad akkuen, hvis den ikke bruges i længere tid (mere end seks måneder).

### FUNKTIONSBESKRIVELSE

#### FORSIGTIG:

- Sørg altid for, at værktøjet er slukket, og at batteripakken er taget ud, før De justerer værktøjet eller kontrollerer dets funktion.

#### Montering eller afmontering af batteripakken (Fig. 1)

#### FORSIGTIG:

- Sluk altid for værktøjet, inden De installerer eller fjerner akkuen.
- Hold godt fast i værktøjet og akkuen, når akkuen installeres eller fjernes. Forsømmelse af at holde maskinen og akkuen fast kan bevirke, at de glider af hænde med beskadigelse af maskinen og akkuen og tilskadekomst til følge.

For at fjerne akkuen, skal man skyde den fra værktøjet, idet man skyder knappen på forsiden af akkuen i stilling. For at installere akkuen, skal man sætte tungen på akkuen ud for rillen i huset og skyde den på plads. Sæt den hele vejen ind, så den låses på plads med et lille klik. Hvis den røde indikator på oversiden af knappen er synlig, betyder det, at den ikke er helt låst.

#### FORSIGTIG:

- Sæt altid akkuen helt ind, så den røde indikator ikke kan ses. Hvis den ikke er sat helt ind, kan den ved et uheld falde ud af værktøjet, hvorved omkringstående eller De selv kan komme til skade.
- Sæt ikke akkuen i med magt. Hvis akkuen ikke glider nemt på plads, betyder det, at den ikke sættes korrekt i.

#### Akkubeskyttelsessystem (Fig. 2)

Maskinen er udstyret med et akkubeskyttelsessystem. Dette system afbryder automatisk strømmen til motoren, så akkuens levetid forlænges.

Maskinen vil automatisk stoppe under anvendelsen, hvis maskinen og/eller akkuen er i en af de følgende tilstande:

- Overbelastet:

Maskinen køres på en måde, der bevirker, at den forbruger en unormalt høj strøm.

I denne situation skal De slukke for maskinen og stoppe den anvendelse, der førte til overbelastning af maskinen. Tænd derefter for maskinen for at starte den igen.

Hvis maskinen ikke starter, er det fordi akkuen er overophedet. I denne situation skal De lade akkuen køle af, inden De tænder for maskinen igen.
- Lav akku-spænding:

Den tilbageværende akku-kapacitet er for lav og maskinen vil ikke køre. Fjern i dette tilfælde akkuen og oplad den.

### BEMÆRK:









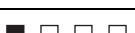

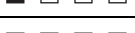
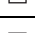
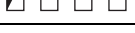

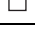

- Overophedningsbeskyttelsen fungerer kun med en akku med stjernemærke.

### Angivelse den tilbageværende akku-kapacitet

#### (Fig. 3)

(Gælder kun akkuer med "B" i slutningen af modelnummeret.)

Tryk på kontrolknappen på akkuen for at angive den tilbageværende akku-kapacitet. Indikatorlamperne lyser i et par sekunder.

Indikatorlamper			Tilbageværende kapacitet
 Tændt	 Slukket	 Blinker	
			75% til 100%
			50% til 75%
			25% til 50%
			0% til 25%
			Oplad akkuen.
 	 		Akkuen kan have fungeret forkert.

015658

### BEMÆRK:

- Afhængigt af brugsforholdene og den omgivende temperatur, kan indikeringen afvige en smule i forhold til den faktiske kapacitet.

### Betjening af kontakt (Fig. 4)

#### ⚠ FORSIGTIG:

- Før batteripakken sættes i værktøjet, skal De altid kontrollere, at glidekontakten reagerer korrekt og vender tilbage i stillingen "OFF", når der trykkes bag på glidekontakten.
- Afbryderen kan låses i "ON" stilling, så arbejdet bliver mere behageligt for operatøren under længere tids anvendelse. Vær altid påpasselig, når De låser maskinen i "ON" stilling og hold godt fast i maskinen.

For at starte værktøjet skal De skubbe glidekontakten til stillingen "I (ON)". For kontinuert betjening skal De trykke foran på glidekontakten for at låse den fast.

Når De vil stoppe værktøjet, skal De trykke bag på glidekontakten og derefter trykke den mod stillingen "O (OFF)".

### Indikatorlampe med multifunktion (Fig. 5)

Indikatorlamperne er placeret to steder.

Når batteripakken sættes i værktøjet med glidekontakten i stillingen "O (OFF)", blinker indikatorlampen hurtigt i cirka et sekund. Hvis den ikke blinker, er batteripakken eller indikatorlampen i stykker.

#### – Overbelastningsbeskyttelse

- Indikatorlampen tændes, når værktøjet er overbelastet. Lampen slukkes igen, når belastningen af værktøjet reduceres.
- Hvis værktøjet forbliver overbelastet, og indikatorlampen er tændt i cirka to sekunder, stopper værktøjet. Dette forebygger beskadigelse af motoren og de tilhørende dele.
- Start i så fald værktøjet igen, skub glidekontakten til stillingen "O (OFF)" og derefter til stillingen "I (ON)".

#### – Signal for udskiftning af batteripakke

- Når den resterende batterikapacitet bliver lille, tændes indikatorlampen under brug tidligere, end når der er tilstrækkelig kapacitet.

#### – Funktion til forhindring af genstart ved et uheld

- Værktøjet starter ikke, hvis batteripakken indsættes i værktøjet med glidekontakten i stillingen "I (ON)". I så fald blinker lampen langsomt. Dette viser, at funktionen til forhindring af genstart ved et uheld er aktiveret.
- For at starte værktøjet skal De først skubbe glidekontakten til stillingen "O (OFF)" og derefter til stillingen "I (ON)".

### SAMLING

#### ⚠ FORSIGTIG:

- Sørg altid for, at værktøjet er slukket, og at batteripakken er taget ud, før De udfører nogen form for arbejde på værktøjet.

### Montering og afmontering af slibestift

#### (Fig. 6 og 7)

Løsn spændepatronmøtrikken og sæt slibestiften ind i spændepatronen. Anvend én nøgle til at holde spindlen fast og en anden til at stramme spændepatronmøtrikken godt til.

Slibestiften må ikke være monteret i afstand af mere end 10 mm fra spændepatronmøtrikken. Overskrides denne afstand kan det medføre vibrationer og skaffet på stiften kan knække.

Følg monteringsfremgangsmåden i omvendt rækkefølge for at afmontere slibestiften.

#### ⚠ FORSIGTIG:

- Anvend korrekt størrelse spændepatron i forhold til den anvendte slibestift.

### BETJENING (Fig. 8)

Tænd for maskinen, uden at slibestiften er i kontakt med emnet, og vent, indtil slibestiften opnår fuld rotationshastighed. Bring derefter forsigtigt slibestiften i kontakt med emnet. For at opnå en god finish bevæges maskinen langsomt i retning mod venstre.

#### ⚠ FORSIGTIG:

- Læg kun et let tryk på maskinen. For kraftigt tryk vil medføre et dårligt resultat og overbelastning af motoren.



## VEDLIGEHOJDELSE

### **FORSIGTIG:**

- Sørg altid for, at værktøjet er slukket, og at batteripakken er taget ud, før De forsøger at udføre inspektion eller vedligeholdelse.
- Anvend aldrig benzin, rensbenzin, fortynder, alkohol og lignende. Resultatet kan blive misfarvning, deformation eller revner.

### Udskiftning af kulbørster

Tag regelmæssigt kulbørsterne af, og efterse dem. Udskift dem, når de er nedslidt til slidgrænsen. Hold kulbørsterne rene og frie til at glide i holderne. Begge kulbørster skal udskiftes samtidig. Brug altid identiske kulbørster. (Fig. 9)

Sæt spidsen af skruetrækkeren med kærvspids ind i snittet i værktøjet, og fjern holderdækslet ved at løfte op i det. (Fig. 10)

Brug en skruetrækker til at fjerne kulholderdækslerne. Tag de udslidte kulbørster ud, monter de nye, og fastgør kulholderdækslerne. (Fig. 11)

Monter holderdækslet på værktøjet igen. For at holde produktet SIKKERT og PÅLIDELIGT skal reparationer samt al anden vedligeholdelse eller justering udføres af autoriserede Makita-servicecentre, og der skal altid benyttes Makita-reservedele.

## EKSTRAUDSTYR

### **FORSIGTIG:**

- Dette tilbehør eller ekstraudstyr anbefales til brug med det Makita-værktøj, som er beskrevet i denne brugsanvisning. Brug af andet tilbehør eller ekstraudstyr kan forårsage personskade. Brug kun tilbehør eller ekstraudstyr til det formål, det er beregnet til.

Henvend Dem til Deres lokale Makita-servicecenter, hvis De har brug for hjælp eller yderligere oplysninger vedrørende tilbehøret.

### Sidegreb (tilbehør) (Fig. 12, 13, 14 og 15)

Når sidegrebet benyttes, skal man fjerne gummibeskytteren, sætte sidegrebet så langt som muligt ind i maskintromlen og dreje det til den ønskede vinkel. Stram derefter grebet godt til ved at dreje i retningen med uret.

### **FORSIGTIG:**

- Hvis maskinen anvendes uden greb, skal man altid montere gummibeskytteren på maskinen.
- Når gummibeskytteren påmonteres, skal man altid trykke den på maskinen, således at gummiets øverste, runde, dybe form placeres nær afbryderens stilling.

- Slibestifter
- Spændepatronkonus (3 mm, 6 mm, 8 mm, 1/4", 1/8")
- Spændepatronmøtrik
- Nøgle 13
- Sidegrebssæt
- Original Makita-akku og oplader

### BEMÆRK:

- Nogle ting på denne liste kan være inkluderet i værktøjsspakken som standardtilbehør. Det kan være forskelligt fra land til land.

## Lyd

Det typiske A-vægtede støjniveau bestemt i overensstemmelse med EN60745:

Lydtryksniveau ( $L_{pA}$ ): 72 dB (A)

Usikkerhed (K): 3 dB (A)

Støjniveauet under slibearbejdet kan overstige 80 dB (A).

### Bær høreværn

ENG900-1

## Vibration

Vibrations totalværdi (tre-aksial vektorsum) bestemt i overensstemmelse med EN60745:

### Model DGD800

Arbejdsindstilling: overfladeslibning  
Vibrationsafgivelse ( $a_{h,SG}$ ): 6,5 m/s<sup>2</sup>  
Usikkerhed (K): 1,5 m/s<sup>2</sup>

### Model DGD801

Arbejdsindstilling: overfladeslibning  
Vibrationsafgivelse ( $a_{h,SG}$ ): 2,5 m/s<sup>2</sup> eller mindre  
Usikkerhed (K): 1,5 m/s<sup>2</sup>

ENG901-1

- Den angivne vibrationsemissionsværdi er blevet målt i overensstemmelse med standardtestmetoden og kan anvendes til at sammenligne en maskine med en anden.
- Den angivne vibrationsemissionsværdi kan også anvendes i en preliminær eksponeringsvurdering.

### **ADVARSEL:**

- Vibrationsemissionen under den faktiske anvendelse af maskinen kan være forskellig fra den erklærede emissionsværdi, afhængigt af den måde, hvorpå maskinen anvendes.
- Sørg for at identificere de sikkerhedsforskrifter til beskyttelse af operatøren, som er baseret på en vurdering af eksponering under de faktiske brugsforhold (med hensyntagen til alle dele i brugscyklen, som f.eks. de gange, hvor maskinen er slukket og når den kører i tomgang i tilgift til afbrydertiden).

## EF-OVERENSSTEMMELSESERKLÆRING

### Kun for lande i Europa

EF-overensstemmelseserklæringen er inkluderet som Bilag A i denne brugsanvisning.

**Περιγραφή γενικής άποψης**

1 Κουμπί	7 Κυλιόμενος διακόπτης	13 Ένδειξη ορίου
2 Κόκκινη ένδειξη	8 Ενδεικτική λυχνία	14 Κάλυμμα κατακτιού υποδοχής
3 Μπαταρία	9 Κλειδί 13	15 Κατσαβίδι
4 Ένδειξη αστεριού	10 Σημείο τροχού	16 Κατάκτι υποδοχής για το καρβουνάκι
5 Ενδεικτικές λυχνίες	11 Παξιμάδι συγκράτησης	
6 Κουμπί ελέγχου	12 Κλειδί 13	

**ΤΕΧΝΙΚΑ ΧΑΡΑΚΤΗΡΙΣΤΙΚΑ**

<b>Μοντέλο</b>	<b>DGD800</b>	<b>DGD801</b>
Δυνατότητα κολάρου .....	6 χιλ. και 6,35 χιλ. (1/4")	6 χιλ. και 6,35 χιλ. (1/4")
Μέγ. διάμετρος τροχού σημείου .....	36 χιλ.	36 χιλ.
Μέγ. μήκος άξονα (στελέχους) .....	46 χιλ.	46 χιλ.
Ταχύτητα χωρίς φορτίο (n <sub>0</sub> ) / Ονομαστική ταχύτητα (n) .....	26.000 (Λεπτά <sup>-1</sup> )	26.000 (Λεπτά <sup>-1</sup> )
Συνολικό μήκος .....	402 χιλ.	307 χιλ.
Καθαρό βάρος .....	2,0 χγρ.	1,7 χγρ.
Ονομαστική τάση.....	D.C. 18 V	D.C. 18 V

- Λόγω του συνεχιζόμενου προγράμματος έρευνας και ανάπτυξης, οι παρούσες προδιαγραφές υπόκεινται σε αλλαγή χωρίς προειδοποίηση.
- Τα τεχνικά χαρακτηριστικά και η κασέτα μπαταρίας μπορεί να διαφέρουν από χώρα σε χώρα.
- Βάρος, με κασέτα μπαταρίας, σύμφωνα με τη διαδικασία ΕΡΤΑ 01/2003

ENE050-1

**Προοριζόμενη χρήση**

Το εργαλείο προορίζεται για εργασίες λείανσης σιδηρούχων υλικών ή την απομάκρυνση γρεζιών από χυτά τεμάχια.

GEA010-1

**Γενικές προειδοποιήσεις ασφαλείας για το ηλεκτρικό εργαλείο**

**⚠ ΠΡΟΕΙΔΟΠΟΙΗΣΗ Διαβάστε όλες τις προειδοποιήσεις ασφαλείας και όλες τις οδηγίες.** Η μη τήρηση των προειδοποιήσεων και οδηγιών ενδέχεται να καταλήξει σε ηλεκτροπληξία, πυρκαγιά ή/και σοβαρό τραυματισμό.

**Φυλάξτε όλες τις προειδοποιήσεις και τις οδηγίες για μελλοντική παραπομπή.**

GEB124-2

**ΠΡΟΕΙΔΟΠΟΙΗΣΕΙΣ ΑΣΦΑΛΕΙΑΣ — ΕΡΓΑΛΕΙΟ ΛΕΙΑΝΣΗΣ ΚΑΛΟΥΠΙΩΝ ΜΠΑΤΑΡΙΑΣ**

Προειδοποιήσεις ασφαλείας ειδικές εργασιών λείανσης:

1. Το παρόν ηλεκτρικό εργαλείο προορίζεται για λειτουργία ως εργαλείο λείανσης. Διαβάστε όλες τις προειδοποιήσεις ασφαλείας, οδηγίες, εικονογραφίες και προδιαγραφές που συνοδεύουν το παρόν ηλεκτρικό εργαλείο. Η μη τήρηση όλων των οδηγιών που αναγράφονται κατωτέρω ενδέχεται να καταλήξει σε ηλεκτροπληξία, πυρκαγιά ή/και σοβαρό τραυματισμό.
2. Δεν συνιστάται η εκτέλεση εργασιών γυαλοχαρτίσματος, καθαρισμού με συρματόβουρτσα, στίλβωσης ή κοπής με το παρόν ηλεκτρικό εργαλείο. Η εκτέλεση εργασιών για τις οποίες δεν έχει σχεδιαστεί το παρόν ηλεκτρικό εργαλείο ενδέχεται να εγκυμονεί κινδύνους και να προκαλέσει τραυματισμό.

3. **Μην χρησιμοποιείτε παρελκόμενα που δεν έχουν σχεδιαστεί ειδικά για το συγκεκριμένο εργαλείο και δεν συνιστώνται από τον κατασκευαστή του.** Η χρήση ενός παρελκόμενου απλά και μόνον επειδή δύναται να προσαρμοστεί στο ηλεκτρικό εργαλείο, δεν διασφαλίζει την ασφαλή λειτουργία του.
4. **Η ονομαστική ταχύτητα των εξαρτημάτων λείανσης πρέπει να είναι τουλάχιστον ίση με την μέγιστη ταχύτητα που είναι σημειωμένη στο ηλεκτρικό εργαλείο.** Τα εξαρτήματα λείανσης που λειτουργούν ταχύτερα από την ονομαστική ταχύτητα τους μπορεί να σπάσουν και να εκτοξευθούν.
5. **Η εξωτερική διάμετρος και το πάχος του εξαρτήματος πρέπει να εμπίπτουν στην ονομαστική ικανότητα του ηλεκτρικού εργαλείου.** Δεν είναι επικτή η παροχή επαρκούς προστασίας ή ο έλεγχος παρελκόμενων εσφαλμένου μεγέθους.
6. **Το μέγεθος στελέχους των εξαρτημάτων πρέπει να ταιριάζει σωστά με το κολάρο του ηλεκτρικού εργαλείου.** Τα εξαρτήματα που δεν ταιριάζουν με τον εξοπλισμό στερέωσης του ηλεκτρικού εργαλείου θα λειτουργούν χωρίς ισορροπία, θα δονούνται υπερβολικά και μπορεί να προκαλέσουν απώλεια ελέγχου.
7. **Τα εξαρτήματα που είναι στερεωμένα στο συγκρατητή πρέπει να έχουν εισαχθεί πλήρως στο κολάρο ή στο τσοκ.** Αν ο συγκρατητής συγκρατείται ανεπαρκώς ή/και το προβαλλόμενο τμήμα του τροχού είναι πολύ μακρύ, το στερεωμένο εξάρτημα μπορεί να γίνει χαλαρό και να εκτοξευτεί με μεγάλη ταχύτητα.

8. Μην χρησιμοποιείτε εξάρτημα που έχει υποστεί ζημία. Πριν από κάθε χρήση, ελέγξτε τα εξαρτήματα, όπως λειαντικούς τροχούς, για ριγίδια και ρωγμές. Σε περίπτωση πτώσης του ηλεκτρικού εργαλείου ή του παρελκομένου, ελέγξτε για τυχόν ζημία ή τοποθετήστε ένα εξάρτημα που δεν έχει υποστεί ζημία. Μετά από τον έλεγχο και την τοποθέτηση ενός εξαρτήματος, σταθεύστε εσείς και οι παρευρισκόμενοι σε θέση όπου θα βρισκαίστε μακριά από το επίπεδο περιστροφής του εξαρτήματος και αφήστε το ηλεκτρικό εργαλείο σε λειτουργία στη μέγιστη ταχύτητα περιστροφής χωρίς φορτίο, για ένα λεπτό. Συνήθως, τα εξαρτήματα που έχουν υποστεί ζημία διαλύονται, εντός του συγκεκριμένου χρόνου δοκιμής.
9. **Να φοράτε ατομικό εξοπλισμό προστασίας.** Ανάλογα με την εφαρμογή, να χρησιμοποιείτε προσωπικά προστασίας, προστατευτικά γυαλιά-προσωπίδες ή γυαλιά προστασίας. Όταν απαιτείται, να φοράτε μάσκα σκόνης, προστατευτικά ακοής, γάντια και ποδιά συνεργείου ικανά να παρέχουν προστασία από τα εκπινασσόμενα μικρά θραύσματα λόγω της λείανσης ή του τεμαχίου εργασίας. Τα προστατευτικά ματιών πρέπει να είναι ικανά να σταματήσουν τυχόν εκπινασσόμενα θραύσματα που δημιουργούνται κατά την εκτέλεση διαφόρων εργασιών. Η μάσκα σκόνης ή η αναπνευστική συσκευή πρέπει να είναι ικανά να φιλτράρουν τα σωματίδια που δημιουργούνται κατά την εκτέλεση των εργασιών σας. Η παρατεταμένη έκθεση σε θόρυβο υψηλής έντασης ενδέχεται να προκαλέσει απώλεια ακοής.
10. **Φροντίστε ώστε οι παρευρισκόμενοι να βρίσκονται σε ασφαλή απόσταση από το χώρο εργασίας.** Οποιοσδήποτε εισέρχεται στο χώρο εργασίας πρέπει να φορά εξοπλισμό ατομικής προστασίας. Θραύσματα του τεμαχίου εργασίας ή ενός παρελκομένου που έχει υποστεί θραύση ενδέχεται να εκτιναχθούν και να προκαλέσουν τραυματισμό πέραν του άμεσου χώρου εκτέλεσης εργασιών.
11. **Κρατάτε το ηλεκτρικό εργαλείο μόνο από τις μονωμένες επιφάνειες χειρολαβής όταν εκτελείτε μια εργασία κατά την οποία το κοπτικό εργαλείο μπορεί να έρθει σε επαφή με κρυμμένα καλώδια.** Σε περίπτωση επαφής του εξαρτήματος καλώδη με ηλεκτροφόρο καλώδιο, μπορεί τα εκτεθειμένα μεταλλικά εξαρτήματα του ηλεκτρικού εργαλείου να καταστούν τα ίδια ηλεκτροφόρα και να προκαλέσουν ηλεκτροπληξία στο χειριστή.
12. **Να κρατάτε πάντοτε το εργαλείο καλά με το(α) χέρι(α) σας κατά την έναρξη.** Η ροπή αντίδρασης του μοτέρ, καθώς επίσης επιταχύνει μέχρι την πλήρη ταχύτητα, μπορεί να προκαλέσει τη συστροφή του εργαλείου.
13. **Χρησιμοποιήστε συγκρατήρες για να υποστηρίξετε το τεμάχιο εργασίας, όπου είναι πρακτικά εφικτό. Μην κρατάτε ποτέ ένα μικρό τεμάχιο εργασίας στο ένα χέρι και το εργαλείο στο άλλο χέρι ενώ το χρησιμοποιείτε.** Η σύσφιξη ενός μικρού τεμαχίου εργασίας επιτρέπει να χρησιμοποιείτε το(α) χέρι(α) σας για να ελέγξετε το εργαλείο. Στοργγυλά υλικά όπως κοχλίες, σωλήνες ή σωληνώσεις έχουν την τάση να κυλούν ενώ κλωβάνται και μπορεί να προκαλέσουν τη συμπλοκή ή αναπήδηση της μύτες προς το μέρος σας.
14. **Μην αφήνετε ποτέ το ηλεκτρικό εργαλείο κάτω, στην σταματημένη πλήρως ή περιστροφή του εξαρτήματος.** Το περιστρεφόμενο εξάρτημα ενδέχεται να εμπλακεί στην επιφάνεια εργασίας και να θέσει το ηλεκτρικό εργαλείο εκτός ελέγχου.
15. **Αφού αλλάξετε τις μύτες ή πραγματοποιήσετε οποιοσδήποτε ρυθμίσεις, βεβαιωθείτε ότι το παξιμάδι κολάρου, το σοκ ή οποιοσδήποτε άλλες διατάξεις ρύθμισης είναι καλά σφιγμένες.** Οι χαλαρές διατάξεις ρύθμισης μπορούν να μεταοπιστούν απρόσμενα, προκαλώντας απώλεια ελέγχου και τη βίαια εκτόξευση των χαλαρών περιστρεφόμενων εξαρτημάτων.
16. **Μην θέσετε το ηλεκτρικό εργαλείο σε λειτουργία, κατά τη μεταφορά του στο πλάι σας.** Τυχαία επαφή με το περιστρεφόμενο εξάρτημα θα μπορούσε να προκαλέσει την εμπλοκή του στο ρουχισμό και επαφή με το σώμα σας.
17. **Να καθαρίζετε συχνά τις σπές αερισμού του ηλεκτρικού εργαλείου.** Ο ανεμιστήρας του ηλεκτροκινητήρα προκαλεί αναρρόφηση της σκόνης στο εσωτερικό του περιβλήματος και η υπερβολική συσσώρευση κοριοτροποιημένου μετάλλου ενδέχεται να εγκυμονεί ηλεκτρικούς κινδύνους.
18. **Μην χειρίζεστε το ηλεκτρικό εργαλείο κοντά σε εύφλεκτα υλικά.** Οι σπινθήρες ενδέχεται να προκαλέσουν ανάφλεξη των συγκεκριμένων υλικών.
19. **Μην χρησιμοποιείτε εξαρτήματα που απαιτούν ψυκτικά υγρά.** Η χρήση νερού ή άλλων ψυκτικών υγρών ενδέχεται να καταλήξει σε ηλεκτροπληξία ή σοκ.

#### **Τραμπόκου και σχετικές προειδοποιήσεις**

Η ανάκρουση είναι μια ξαφνική αντίδραση του εργαλείου λόγω σύσφιξης ή σκαλώματος ενός περιστρεφόμενου εξαρτήματος. Η σύσφιξη ή το σκάλωμα προκαλεί ταχεία ακινητοποίηση του περιστρεφόμενου εξαρτήματος, το οποίο στη συνέχεια υποχωρεί το ανεξέλεγκτο ηλεκτρικό εργαλείο σε περιστροφή αντίθετη από εκείνη του εξαρτήματος.

Για παράδειγμα, εάν ένας λειαντικός τροχός περιέλθει σε σύσφιξη ή σκάλωμα στο τεμάχιο εργασίας, η ακμή του τροχού που εισέρχεται στο σημείο σύσφιξης ενδέχεται να σκάψει την επιφάνεια του υλικού προκαλώντας την αναπήδηση ή την ανάκρουση του τροχού. Ο τροχός ενδέχεται να αναπηδήσει προς το μέρος του χειριστή ή αντίθετα να απομακρυνθεί από αυτόν, ανάλογα με τη φορά περιστροφής του τροχού στο σημείο σύσφιξης. Υπό αυτές τις συνθήκες, οι τροχοί λείανσης ενδέχεται επίσης να υποστούν θραύση.

Η ανάκρουση είναι αποτέλεσμα κακής χρήσης ή/και εσφαλμένων διαδικασιών ή συνθηκών χειρισμού και είναι δυνατόν να αποφευχθεί λαμβάνοντας κατάλληλες προφυλάξεις, όπως περιγράφεται κατωτέρω:

- a) Κρατήστε σταθερά το ηλεκτρικό εργαλείο και τοποθετήστε το σώμα και το βραχιόνιά σας σε θέση ώστε να είναι δυνατόν να προβάλλετε αντίσταση στις δυνάμεις ανάκρουσης. Ο χειριστής δύναται να ελέγξει τις ροπές αντίδρασης ή τις δυνάμεις ανάκρουσης, εάν λαμβάνονται οι κατάλληλες προφυλάξεις.
  - b) Δώστε ιδιαίτερη προσοχή κατά την εργασία σε γωνίες, κοφτερές ακμές, κ.λ.π. Να αποφεύγετε την αναπήδηση και το σκάλωμα του εξαρτήματος. Οι γωνίες, οι κοφτερές ακμές ή η αναπήδηση έχουν την τάση να προκαλούν σκάλωμα του περιστρεφόμενου εξαρτήματος και απώλεια ελέγχου ή ανάκρουση.
  - c) Μην συνδέεται οδοντωτή λεπίδα πριονιού. Οι λεπίδες αυτού του τύπου προκαλούν συχνά ανάκρουση και απώλεια ελέγχου.
  - d) Να εισαγάγετε τη μύτη μέσα στο υλικό με την ίδια κατεύθυνση που βγαίνει το άκρο κοπής από το υλικό (η οποία είναι η ίδια κατεύθυνση που πετάγονται τα ρινίσματα). Αν εισαγάγετε το εργαλείο με λάθος κατεύθυνση, το άκρο κοπής της μύτης θα εξέλθει από το τεμάχιο εργασίας και θα τραβήξει το εργαλείο προς την κατεύθυνση της δικής του εισόδου.
30. Εάν η θερμοκρασία του χώρου εργασίας είναι εξαιρετικά υψηλή και η υγρασία αυξημένη, ή υπάρχει εκτεταμένος βαθμός ρύπανσης λόγω αγώγιμης σκόνης, απαιτείται η χρήση αυτόματου διακόπτη κυκλώματος (30 mA), ώστε να διασφαλιστεί η ασφάλεια του χειριστή σε περίπτωση βραχυκυκλώματος.
  31. Μην χρησιμοποιείτε το εργαλείο σε οποιοδήποτε υλικό περιέχει αμίαντο.
  32. Να φροντίζετε πάντα για τη διατήρηση καλής ισορροπίας. Βεβαιωθείτε ότι δεν υπάρχει άτομο ακριβώς από κάτω, όταν χρησιμοποιείτε το ηλεκτρικό εργαλείο σε υψηλά σημεία.

## ΦΥΛΑΞΤΕ ΤΙΣ ΟΔΗΓΙΕΣ ΑΥΤΕΣ.

### ⚠ ΠΡΟΕΙΔΟΠΟΙΗΣΗ:

ΜΗΝ επιτρέψετε το βαθμό άνεσης ή εξοικείωσης με το προϊόν (λόγω επανειλημμένης χρήσης) να αντικαταστήσει την αυστηρή τήρηση των κανόνων ασφαλείας του παρόντος εργαλείου. ΚΑΚΗ ΧΡΗΣΗ ή αμέλεια να ακολουθήσετε τους κανόνες ασφαλείας που διατυπώνονται σ'αυτό το εγχειρίδιο οδηγιών μπορεί να προκαλέσει σοβαρό προσωπικό τραυματισμό.

ENC007-11

### Προειδοποιήσεις ασφαλείας ειδικές της λείανσης:

- a) Να χρησιμοποιείτε μόνο τύπους τροχών που συνιστώνται για χρήση με το δικό σας ηλεκτρικό εργαλείο και μόνο για τις συνιστώμενες εφαρμογές.

### Επιπλέον προειδοποιήσεις ασφαλείας:

20. Το εργαλείο προορίζεται για χρήση με συνδεδεμένους λειαντικούς σημειακούς τροχούς (πέτρες λείανσης) μόνιμα στερεωμένους σε ένα απλό συγκρατητή (στέλεχος) χωρίς σπείρωμα.
21. Φροντίστε ο τροχός να μην έρχεται σε επαφή με το τεμάχιο εργασίας πριν από την ενεργοποίηση του διακόπτη.
22. Πριν από τη χρήση του τροχού πάνω σε πραγματικό τεμάχιο εργασίας, αφήστε τον σε λειτουργία για μικρό χρονικό διάστημα. Παρατηρήστε εάν υπάρχουν δονήσεις ή ταλάντευση που υποδηλώνουν κακή εγκατάσταση ή τροχό με κακή ζυγοστάθμιση.
23. Χρησιμοποιήστε την προκαθορισμένη επιφάνεια του τροχού για να εκτελέσετε την εργασία λείανσης.
24. Να είστε προσεκτικοί με τις εκτινασσόμενες σπίνθες. Κρατήστε το εργαλείο με τρόπο ώστε οι σπίνθες να εκτινάσσονται μακριά από το σώμα σας και άλλα άτομα ή εύφλεκτα υλικά.
25. Μην αφήνετε το εργαλείο σε λειτουργία. Να χειρίζεστε το εργαλείο μόνον όταν το κρατάτε.
26. Μην αγγίζετε το τεμάχιο εργασίας αμέσως μετά από την ολοκλήρωση της εργασίας, ενδέχεται να είναι εξαιρετικά καυτό και να προκαλέσει έγκαυμα στο δέρμα σας.
27. Μην αγγίζετε τα εξαρτήματα αμέσως μετά τη λειτουργία. Μπορεί να είναι υπερβολικά καυτό και να προκαλέσει έγκαυμα στο δέρμα σας.
28. Να τηρείτε τις οδηγίες του κατασκευαστή, όσον αφορά την κατάλληλη τοποθέτηση και χρήση των τροχών. Φροντίστε για το χειρισμό και τη φύλαξη των τροχών.
29. Ελέγξτε, εάν το τεμάχιο εργασίας στηρίζεται κατάλληλα.

## ΣΗΜΑΝΤΙΚΕΣ ΟΔΗΓΙΕΣ ΑΣΦΑΛΕΙΑΣ

### ΓΙΑ ΤΗΝ ΜΠΑΤΑΡΙΑ

1. Πριν χρησιμοποιήσετε την μπαταρία, διαβάστε όλες τις οδηγίες και τις ενδείξεις προφύλαξης στο (1) φορητή μπαταρίας, (2) την μπαταρία και (3) το προϊόν στο οποίο χρησιμοποιείται η μπαταρία.
2. Μην αποσυρμαμολογείτε την μπαταρία.
3. Αν ο χρόνος λειτουργίας της μπαταρίας είναι υπερβολικά σύντομος, διακόψτε αμέσως τη λειτουργία. Αν συνεχίσετε, μπορεί να έχει ως αποτέλεσμα τον κίνδυνο υπερθέρμανσης, πιθανών εγκαυμάτων κι ακόμη έκρηξης.
4. Αν μπει στα μάτια σας ηλεκτρολύτης, ξεπλύνετε με καθαρό νερό και αναζητήστε αμέσως ιατρική βοήθεια. Μπορεί να χάσετε την όρασή σας.
5. Μην βραχυκυκλώνετε την μπαταρία:
  - (1) Μην αγγίζετε τους ακροδέκτες με αγώγιμο υλικό.
  - (2) Μην αποθηκεύετε την μπαταρία σε δοχείο με άλλα μεταλλικά αντικείμενα, όπως καρφιά, νομίσματα, κτλ.
  - (3) Μην εκθέτετε την μπαταρία σε νερό ή βροχή. Αν βραχυκυκλωθεί η μπαταρία, μπορεί να προκαληθεί μεγάλη ροή ηλεκτρικού ρεύματος, υπερθέρμανση, πιθανά εγκαύματα και ακόμη καταστροφή της μπαταρίας.
6. Μην αποθηκεύετε το εργαλείο και τη μπαταρία σε μέρη όπου η θερμοκρασία μπορεί να φτάσει ή να ξεπεράσει τους 50°C.
7. Μην αποπεφρύνετε την μπαταρία ακόμη κι αν παρουσιάζει σοβαρή ζημιά ή είναι εντελώς φθαρμένη. Η μπαταρία μπορεί να εκραγεί σε φωτιά.
8. Να προσέχετε να μη σας πείσει η μπαταρία και να μη συγκρούσει με κάποιο αντικείμενο.
9. Μην χρησιμοποιείτε μπαταρία που έχει υποστεί ζημια.

**10. Οι μπαταρίες ιόντων λιθίου που περιέχονται υπόκεινται στις απαιτήσεις της νομοθεσίας σχετικά με επικίνδυνα αγαθά.**

Για εμπορικές μεταφορές, π.χ. από τρίτα μέρη, πρακτορεία διαμετακόμισης, πρέπει να τηρηθούν οι ειδικές απαιτήσεις στη συσκευασία και την επισήμανση.

Για προετοιμασία του αντικειμένου που αποστέλλεται, απαιτείται να συμβουλευτείτε έναν ειδικό για επικίνδυνα υλικά. Επίσης, τηρήστε τους εθνικούς κανονισμούς που πιθανώς να είναι πιο λεπτομερείς.

Καλύψτε τις ανοικτές επαφές με αυτοκόλλητη ταινία ή άλλο μέσο και συσκευάστε την μπαταρία με τρόπο ώστε να μην μπορεί να μετακινείται μέσα στη συσκευασία.

**11. Τηρήστε τους τοπικούς κανονισμούς που σχετίζονται με τη διάθεση της μπαταρίας.**

**ΦΥΛΑΞΤΕ ΤΙΣ ΟΔΗΓΙΕΣ ΑΥΤΕΣ.**

**⚠ ΠΡΟΣΟΧΗ:** Να χρησιμοποιείτε μόνο γνήσιες μπαταρίες Makita.

Η χρήση μη γνήσιων μπαταριών Makita, ή μπαταριών που έχουν τροποποιηθεί, μπορεί να έχει ως αποτέλεσμα την έκρηξη της μπαταρίας και τη συνεπακόλουθη πρόκληση πυρκαγιών, προσωπικού τραυματισμού και ζημιάς. Θα ακυρώσει επίσης την εγγύηση Makita για το εργαλείο και τον φορτιστή Makita.

**Συμβουλές για τη διατήρηση της μέγιστης ζωής της μπαταρίας**

- 1. Να φορτίζετε την μπαταρία πριν αποφορτιστεί εντελώς.**  
Πάντοτε να διακόπτετε τη λειτουργία του εργαλείου και να φορτίζετε την μπαταρία όταν παρατηρείται μειωμένη ισχύ του εργαλείου.
- 2. Ποτέ μην επαναφορτίζετε μια πλήρως φορτισμένη μπαταρία.**  
Αν υπερφορτίσετε την μπαταρία, μειώνεται η ωφέλιμη διάρκεια ζωής της.
- 3. Να φορτίζετε την μπαταρία σε θερμοκρασία δωματίου, στους 10°C – 40°C.** Αν η μπαταρία είναι θερμή, αφήστε την να ψυχθεί πριν τη φορτίσετε.
- 4. Φορτίστε την κασέτα μπαταρίας όταν δεν τη χρησιμοποιείτε για μεγάλο χρονικό διάστημα (περισσότερο από έξι μήνες).**

**ΠΕΡΙΓΡΑΦΗ ΛΕΙΤΟΥΡΓΙΑΣ**

**⚠ ΠΡΟΣΟΧΗ:**

• Να βεβαιώνετε πάντοτε ότι είναι σβηστό το εργαλείο και αφαιρέσατε την μπαταρία πριν ρυθμίσετε ή ελέγξετε κάποια λειτουργία του εργαλείου.

**Τοποθέτηση ή αφαίρεση της μπαταρίας (Εικ. 1)**

**⚠ ΠΡΟΣΟΧΗ:**

- Πάντοτε να σβήνετε το εργαλείο πριν τοποθετήσετε ή αφαιρέσετε την κασέτα μπαταρίας.
- Κρατήστε το εργαλείο και την κασέτα μπαταρίας σταθερά κατά την τοποθέτηση ή αφαίρεση της κασέτας μπαταρίας. Αν δεν κρατάτε το εργαλείο και την κασέτα μπαταρίας σταθερά μπορεί γλιστρήσουν από τα χέρια σας και να προκληθεί βλάβη στο εργαλείο και την κασέτα μπαταρίας και προσωπικός τραυματισμός.

Για να αφαιρέσετε την κασέτα μπαταρίας, ολισθήστε την από το εργαλείο ενώ σύρετε το κουμπί στο μπροστινό μέρος της κασέτας.

Για να τοποθετήσετε την κασέτα μπαταρίας, ευθυγραμμίστε τη γλώσσα στην κασέτα μπαταρίας με την αύλακα στην υποδοχή και ολισθήστε τη στη θέση της. Να την τοποθετείτε πλήρως μέχρι να ασφαλίσει στη θέση της, γεγονός που υποδεικνύεται με ένα χαρακτηριστικό ήχο. Αν μπορείτε να δείτε την κόκκινη ένδειξη στην επάνω πλευρά του κουμπιού, δεν έχει κλειδώσει τελείως.

**⚠ ΠΡΟΣΟΧΗ:**

- Να τοποθετείτε πάντα την κασέτα μπαταρίας πλήρως μέχρι να μην βλέπετε την κόκκινη ένδειξη. Σε αντίθετη περίπτωση, μπορεί να πέσει κατά λάθος από το εργαλείο και να τραυματίσει εσάς ή κάποιον παρευρισκόμενο.
- Μην τοποθετείτε την κασέτα μπαταρίας με βία. Αν η κασέτα δεν εισέρχεται με ευκολία, δεν είναι τοποθετημένη σωστά.

**Σύστημα προστασίας μπαταρίας (Εικ. 2)**

Το εργαλείο είναι εξοπλισμένο με σύστημα προστασίας της μπαταρίας. Αυτό το σύστημα αποκόπτει αυτόματα την ισχύ προς το μοτέρ για να παραταθεί η διάρκεια λειτουργίας της μπαταρίας.

Το εργαλείο σταματάει αυτόματα κατά τη διάρκεια της λειτουργίας αν το εργαλείο ή/και η μπαταρία βρεθούν κάτω από τις παρακάτω συνθήκες:

• Υπερφόρτιση:

Το εργαλείο λειτουργεί με τρόπο ώστε να αναγκάζεται να καταναλώνει ασυνήθιστα υψηλό ρεύμα.

Σε αυτή την περίπτωση, απενεργοποιήστε το εργαλείο και διακόψτε την εφαρμογή που προκάλεσε την υπερφόρτιση του εργαλείου. Μετά, ενεργοποιήστε το για να ξεκινήσετε ξανά.

Αν το εργαλείο δεν ξεκινάει, η μπαταρία έχει υπερθερμανθεί. Σε αυτή την κατάσταση, αφήστε την μπαταρία να ψυχθεί πριν ενεργοποιήσετε ξανά το εργαλείο.

• Χαμηλή τάση μπαταρίας:

Η υπόλοιπη χωρητικότητα μπαταρίας είναι πολύ χαμηλή και το εργαλείο δεν λειτουργεί. Σε αυτή την κατάσταση, αφαιρέστε και επαναφορτίστε την μπαταρία.

**ΠΑΡΑΤΗΡΗΣΗ:**

• Η προστασία υπερθέρμανσης λειτουργεί μόνο με κασέτα μπαταρίας με ένδειξη αστεριού.

**Ένδειξη της υπόλοιπης χωρητικότητας της μπαταρίας (Εικ. 3)**

(Μόνο για κασέτες μπαταριών με "B" στο τέλος του αριθμού μοντέλου.)

Πίστετε το κουμπί ελέγχου στην κασέτα μπαταρίας για να υποδείξετε την υπόλοιπη χωρητικότητα της μπαταρίας. Οι ενδεικτικές λυχνίες ανάβουν για λίγα δευτερόλεπτα.

Ενδεικτικές λυχνίες			Υπόλοιπη χωρητικότητα
Αναμμέν-ες	Σβηστές	Αναβοσβή-νουν	
			75% έως 100%
			50% έως 75%
			25% έως 50%
			0% έως 25%
			Φορτίστε την μπαταρία.
			Μπορεί να προέκυψε δυσλειτουργία στην μπαταρία.

015658

#### ΠΑΡΑΤΗΡΗΣΗ:

- Ανάλογα με τις συνθήκες χρήσης και τη θερμοκρασία περιβάλλοντος, η ένδειξη μπορεί να διαφέρει λίγο από την πραγματική χωρητικότητα.

#### Δράση Διακόπτη (Εικ. 4)

##### ⚠ ΠΡΟΣΟΧΗ:

- Πριν βάλετε την μπαταρία στο εργαλείο, πάντοτε να ελέγχετε ότι ο κυλιόμενος διακόπτης ενεργοποιείται σωστά και επιστρέφει στη θέση "OFF" όταν πιέξετε το πίσω μέρος του κυλιόμενου διακόπτη.
- Ο διακόπτης μπορεί να ασφαλιστεί στη θέση "ON" προς διευκόλυνση του χειριστή στη διάρκεια παρατεταμένης χρήσης. Να είστε προσεκτικοί όταν ασφαλίσετε το εργαλείο στη θέση "ON" και να κρατάτε το εργαλείο σταθερά.

Για να ξεκινήσετε τη λειτουργία του εργαλείου, ολισθήστε τον κυλιόμενο διακόπτη στη θέση "I (ON)". Για συνεχόμενη λειτουργία, πιέστε το μπροστινό μέρος του κυλιόμενου διακόπτη για να τον ασφαλίσετε.

Για να διακόψετε τη λειτουργία του εργαλείου, πιέστε το πίσω μέρος του κυλιόμενου διακόπτη και κατόπιν ολισθήστε τον στη θέση "O (OFF)".

#### Ενδεικτική λυχνία με πολλαπλή λειτουργία (Εικ. 5)

Οι ενδεικτικές λυχνίες είναι τοποθετημένες σε δύο θέσεις. Όταν τοποθετήσετε την μπαταρία στο εργαλείο και ο κυλιόμενος διακόπτης βρίσκεται στη θέση "O (OFF)", η ενδεικτική λυχνία αναβοσβήνει γρήγορα για ένα περίπου δευτερόλεπτο. Αν δεν αναβοσβήσει με αυτόν τον τρόπο, η μπαταρία ή η ενδεικτική λυχνία έχει υποστεί βλάβη.

#### – Προστασία υπερφόρτωσης

- Όταν το εργαλείο είναι υπερφορτωμένο, ανάβει η ενδεικτική λυχνία. Η ενδεικτική λυχνία θα σβήσει όταν μειωθεί το φορτίο στο εργαλείο.

- Αν το εργαλείο συνεχίζει να είναι υπερφορτωμένο και η ενδεικτική λυχνία συνεχίζει να είναι αναμμένη για δύο περίπου δευτερόλεπτα, θα διακοπεί η λειτουργία του εργαλείου. Με τον τρόπο αυτό αποφεύγεται η καταστροφή του μοτέρ και των εξαρτημάτων του.
- Σε αυτήν την περίπτωση, για να ξεκινήσετε ξανά τη λειτουργία του εργαλείου, μετακινήστε τον κυλιόμενο διακόπτη στη θέση "O (OFF)" μία φορά και κατόπιν στη θέση "I (ON)".

#### – Σήμα αλλαγής μπαταρίας

- Όταν λιγοστέψει η ενέργεια της μπαταρίας που απομένει, ανάβει η ενδεικτική λυχνία κατά τη λειτουργία πριν αδειάσει τελείως η μπαταρία.

#### – Λειτουργία αποφυγής τυχαίας επανεκκίνησης

- Ακόμα κι αν η μπαταρία έχει τοποθετηθεί στο εργαλείο και ο κυλιόμενος διακόπτης βρίσκεται στη θέση "I (ON)", η λειτουργία του εργαλείου δεν ξεκινά. Τώρα, η ενδεικτική λυχνία αναβοσβήνει αργά και αυτό σημαίνει ότι η λειτουργία αποφυγής τυχαίας εκκίνησης είναι σε λειτουργία.
- Για να ξεκινήσετε τη λειτουργία του εργαλείου, πρώτα ολισθήστε τον κυλιόμενο διακόπτη στη θέση "O (OFF)" και κατόπιν ολισθήστε τον στη θέση "I (ON)".

## ΣΥΝΑΡΜΟΛΟΓΗΣΗ

### ⚠ ΠΡΟΣΟΧΗ:

- Να βεβαιώνετε πάντοτε ότι έχετε σβήσει το εργαλείο και έχετε βγάλει την μπαταρία πριν εκτελέσετε οποιαδήποτε εργασία σε αυτό.

#### Τοποθέτηση ή απομάκρυνση του τροχού σημείου (Εικ. 6 και 7)

Χαλαρώστε το παξιμάδι συγκράτησης και βάλτε τον τροχό σημείου στο παξιμάδι συγκράτησης. Χρησιμοποιήστε ένα κλειδί για να συγκρατήσετε τον άξονα μετάδοσης κίνησης και το άλλο για να σφίξετε το περικόχλιο του κολάρου κατάλληλα.

Ο τροχός σημείου δεν θα πρέπει να τοποθετείται σε απόσταση μεγαλύτερη από 10 χιλ. από το παξιμάδι συγκράτησης. Εάν υπερβείτε αυτή την απόσταση θα μπορούσε να προκληθεί ταλάντωση ή και σπάσιμο του άξονα.

Για να απομακρύνετε τον τροχό σημείου, ακολουθείστε την αντίστροφη διαδικασία.

### ⚠ ΠΡΟΣΟΧΗ:

- Χρησιμοποιήστε το σωστό μέγεθος συγκρατητή κώνου για τον τροχό σημείου που σκοπεύετε να χρησιμοποιήσετε.

#### ΛΕΙΤΟΥΡΓΙΑ (Εικ. 8)

Ανάψτε το μηχανήμα χωρίς ο τροχός σημείου να έχετε σε επαφή με το κομμάτι εργασίας και περιμένετε μέχρι ο τροχός σημείου να πιάσει την πλήρη ταχύτητα. Έπειτα ακουμπήστε τον τροχό σημείου στο κομμάτι εργασίας μαλακά. Για να πετύχετε καλό τελείωμα, μετακινήστε το μηχανήμα προς την αριστερή διεύθυνση αργά.

### ⚠ ΠΡΟΣΟΧΗ:

- Εφαρμόστε ελαφρά πίεση στο μηχανήμα. Υπερβολική πίεση στο μηχανήμα θα προκαλέσει φτωχό τελείωμα και υπερφόρτωση του κινητήρα.

## ΣΥΝΤΗΡΗΣΗ

### ⚠ ΠΡΟΣΟΧΗ:

- Να βεβαιώνετε πάντοτε ότι το εργαλείο είναι σβηστό και αφαιρέσατε την μπαταρία πριν εκτελέσετε οποιαδήποτε εργασία ελέγχου ή συντήρησης σε αυτό.
- Μην χρησιμοποιείτε ποτέ βενζίνη, πετρελαϊκό αιθέρα, διαλυτικό, αλκοόλη ή παρόμοιες ουσίες. Ενδέχεται να προκληθεί αποχρωματισμός παραμόρφωση ή ρωγμές.

### Αλλαγή καρβονακίων

Να αφαιρείτε και να ελέγχετε τακτικά τα καρβονάκια. Να αντικαθιστάτε τα καρβονάκια όταν έχουν φθαρεί έως την ένδειξη ορίου. Να διατηρείτε τα καρβονάκια καθαρά και ελεύθερα για να γλιστρούν στις υποδοχές. Πρέπει να αλλάζετε ταυτόχρονα και τα δύο καρβονάκια. Να χρησιμοποιείτε μόνο καρβονάκια ίδιου τύπου. **(Εικ. 9)**

Τοποθετήστε την άκρη ενός πλακέ κατασαβιδιού μέσα στην εγκοπή του εργαλείου και σκώστε το κάλυμμα κατακλιού υποδοχής για να το βγάλετε. **(Εικ. 10)**

Με τη βοήθεια ενός κατασαβιδιού, βγάλτε τα καπάκια της υποδοχής για τα καρβονάκια. Βγάλτε τα φαρμμένα καρβονάκια, τοποθετήστε τα καινούργια και ασφαλίστε τα καπάκια της υποδοχής για τα καρβονάκια. **(Εικ. 11)** Τοποθετήστε ξανά το κάλυμμα κατακλιού υποδοχής στο εργαλείο.

Για να διατηρείται η ΑΣΦΑΛΕΙΑ και η ΑΞΙΟΠΙΣΤΙΑ του προϊόντος, οι εργασίες επισκευής, καθώς και οποιαδήποτε άλλη εργασία συντήρησης ή ρύθμισης, θα πρέπει να εκτελούνται σε εξουσιοδοτημένα κέντρα εξυπηρέτησης της Makita, και πάντοτε με τη χρήση ανταλλακτικών της Makita.

## ΠΡΟΑΙΡΕΤΙΚΑ ΕΞΑΡΤΗΜΑΤΑ

### ⚠ ΠΡΟΣΟΧΗ:

- Συνιστάται η χρήση των παρακάτω αξεσουάρ και εξαρτημάτων με το εργαλείο της Makita μόνο όπως καθορίζεται στο παρόν εγχειρίδιο. Αν χρησιμοποιήσετε άλλα αξεσουάρ ή εξαρτήματα μπορεί να παρουσιαστεί κίνδυνος για πρόκληση ατομικού τραυματισμού. Να χρησιμοποιείτε τα αξεσουάρ και τα εξαρτήματα μόνο για το σκοπό για τον οποίο προορίζονται.

Αν χρειάζεστε κάποια βοήθεια ή περισσότερες πληροφορίες σχετικά με τα αξεσουάρ αυτά, απευθυνθείτε στο πλησιέστερο κέντρο εξυπηρέτησης της Makita.

### Πλευρική λαβή (παρελκόμενο) (Εικ. 12, 13, 14 και 15)

Όταν χρησιμοποιείτε την πλευρική λαβή, αφαιρέστε το ελαστικό προστατευτικό, εισάγετε την πλευρική λαβή στον κύλινδρο του εργαλείου μέχρι τέρμα και περιστρέψτε την στην επιθυμητή γωνία. Στη συνέχεια αφίστε κατάλληλα τη λαβή γυρίζοντας δεξιόστροφα.

### ⚠ ΠΡΟΣΟΧΗ:

- Όταν χρησιμοποιείτε το εργαλείο χωρίς λαβή, φροντίστε ώστε το ελαστικό προστατευτικό να είναι πάντα στη θέση του πάνω στο εργαλείο.
- Κατά την τοποθέτηση του ελαστικού προστατευτικού, φροντίστε να το πιέσετε πάνω στο εργαλείο ώστε η διαμόρφωση εσοχής του ελαστικού στο άνω μέρος να βρίσκεται κοντά στη θέση του διακόπτη.

- Τροχός σημείων
- Κωνικό κολάρο (3 χιλ., 6 χιλ., 8 χιλ., 1/4", 1/8")
- Περικόχλιο κολάρο

- Κλειδί 13
- Πλευρική λαβή ρυθμισμένη
- Γνήσια μπαταρία και φορτιστής της Makita

## ΠΑΡΑΤΗΡΗΣΗ:

Μερικά στοιχεία στη λίστα μπορεί να συμπεριλαμβάνονται στη συσκευασία εργαλείου ως στάνταρ εξαρτήματα. Μπορεί να διαφέρουν ανάλογα με τη χώρα.

ENG905-1

## Θόρυβος

Το τυπικό A επίπεδο μετρημένου θορύβου καθορίζεται σύμφωνα με το EN60745:

Στάθμη πίεσης ήχου ( $L_{pA}$ ): 72 dB (A)  
Αβεβαιότητα (K): 3 dB (A)

Η στάθμη θορύβου κατά την εργασία ενδέχεται να υπερβεί τα 80 dB (A).

### Φοράτε ωτοασπίδες

ENG900-1

## Κραδασμός

Η ολική τιμή δόνησης (άθροισμα τρι-αξονικού διανύσματος) καθορίζεται σύμφωνα με το EN60745:

### Μοντέλο DGD800

Είδος εργασίας: λείανση επιφανείας  
Εκπομπή δόνησης ( $a_{h,SG}$ ): 6.5 m/s<sup>2</sup>  
Αβεβαιότητα (K): 1,5 m/s<sup>2</sup>

### Μοντέλο DGD801

Είδος εργασίας: λείανση επιφανείας  
Εκπομπή δόνησης ( $a_{h,SG}$ ): 2.5 m/s<sup>2</sup> ή λιγότερο  
Αβεβαιότητα (K): 1,5 m/s<sup>2</sup>

ENG901-1

- Η δηλωμένη τιμή εκπομπής κραδασμών έχει μετρηθεί σύμφωνα με την πρότυπη μέθοδο δοκιμής και μπορεί να χρησιμοποιηθεί για τη σύγκριση ενός εργαλείου με άλλο.
- Η δηλωμένη τιμή εκπομπής κραδασμών μπορεί να χρησιμοποιηθεί και στην προκαταρκτική αξιολόγηση έκθεσης.

### ⚠ ΠΡΟΕΙΔΟΠΟΙΗΣΗ:

- Η εκπομπή κραδασμών κατά τη χρήση του ηλεκτρικού εργαλείου σε πραγματικές συνθήκες μπορεί να διαφέρει από τη δηλωμένη τιμή εκπομπής ανάλογα με τον τρόπο χρήσης του εργαλείου.
- Φροντίστε να λάβετε τα κατάλληλα μέτρα προστασίας που χειριστή βάσει υπολογισμού της έκθεσης σε πραγματικές συνθήκες χρήσης (λαμβάνοντας υπόψη όλες τις συνιστώσες του κύκλου λειτουργίας όπως τους χρόνους που το εργαλείο είναι εκτός λειτουργίας και όταν βρίσκεται σε αδρανή λειτουργία πέραν του χρόνου ενεργοποίησης).

## Δ'ΗΛΩΣΗ ΣΥΜΜΟΡΦΩΣΗΣ ΕΚ

### Μόνο για χώρες της Ευρώπης

Η δήλωση συμμόρφωσης ΕΚ περιλαμβάνεται ως Παράρτημα Α στο παρόν εγχειρίδιο οδηγιών.

# Makita Europe N.V.

Jan-Baptist Vinkstraat 2, 3070 Kortenberg, Belgium

# Makita Corporation

3-11-8, Sumiyoshi-cho, Anjo, Aichi 446-8502 Japan

[www.makita.com](http://www.makita.com)



885292F997

IDE